

Figure 2.7.11-1—Essential Service Water System Functional Arrangement
Sheet 1 of 9

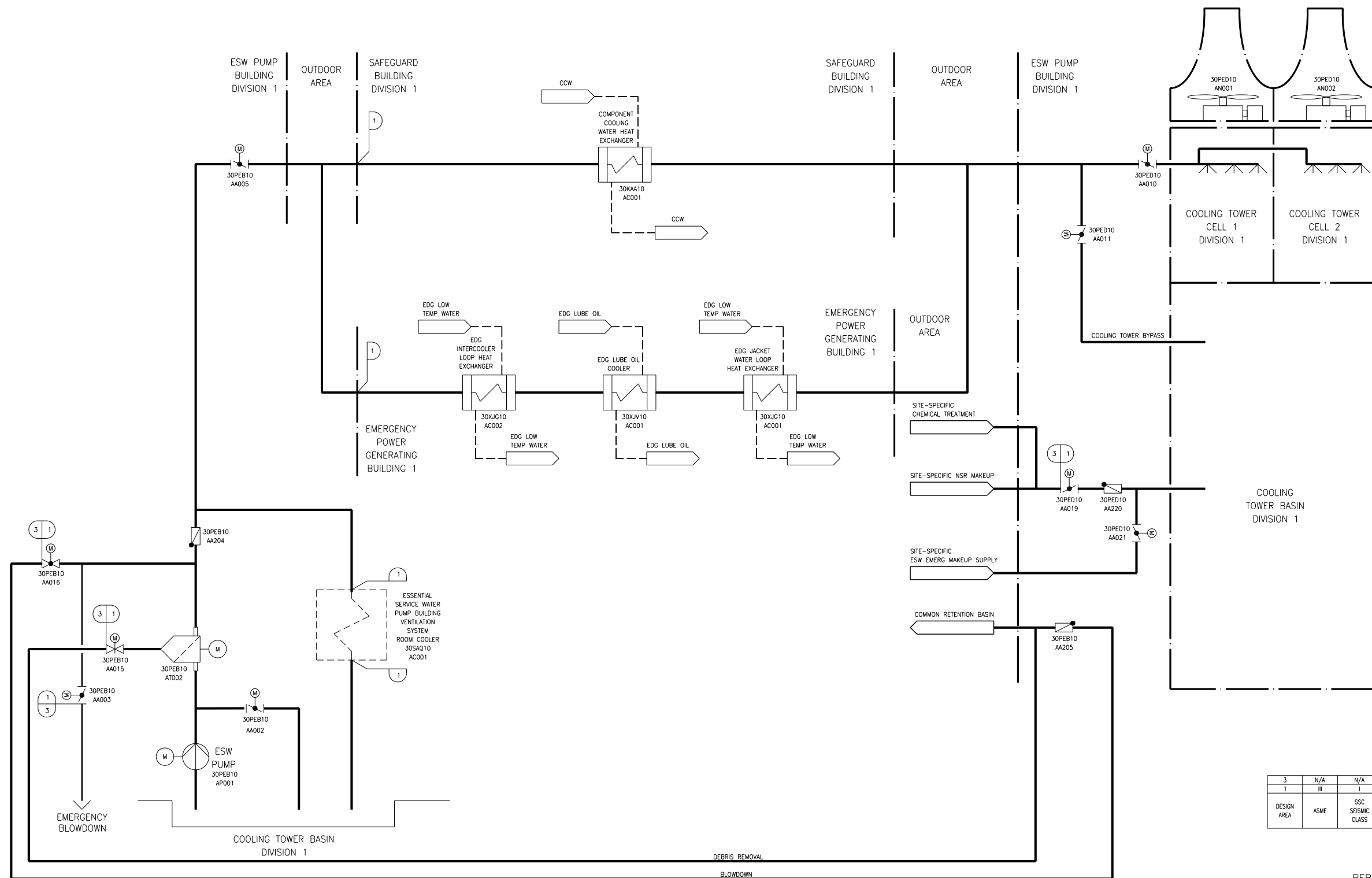
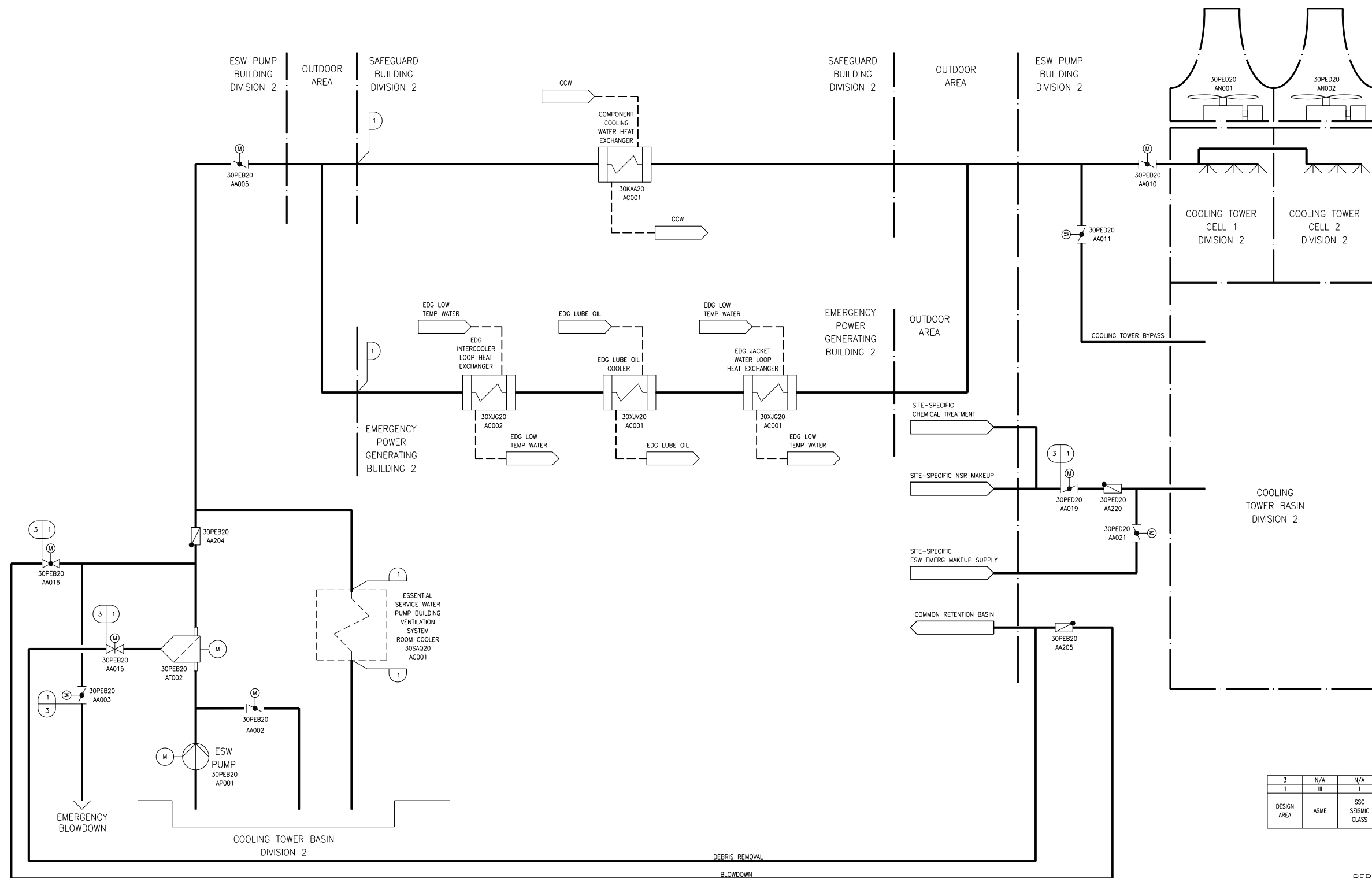


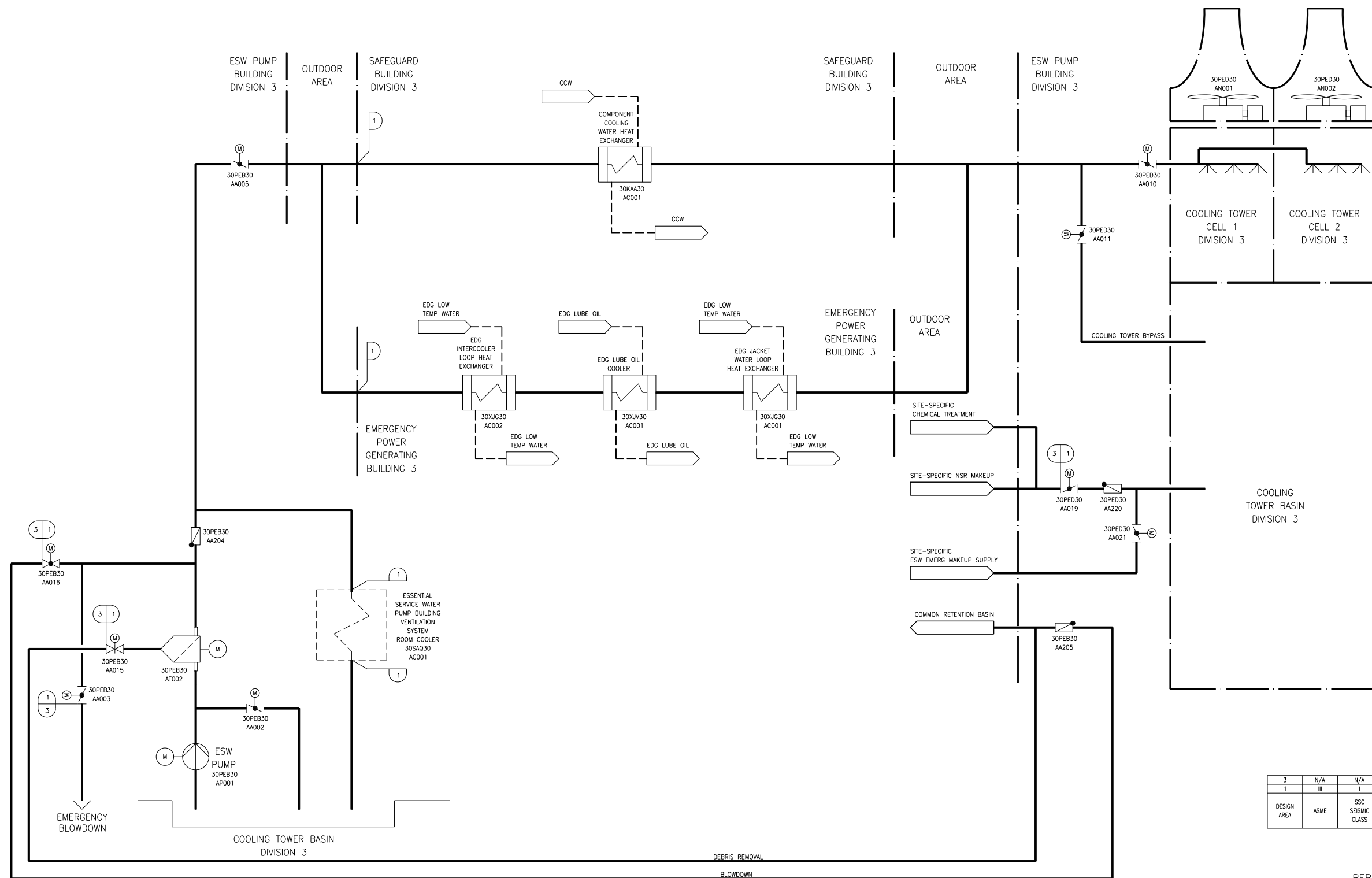
Figure 2.7.11-1—Essential Service Water System Functional Arrangement
Shee 2 of 9



3	N/A	N/A
1	III	I
DESIGN AREA	ASME	SSC SEISMIC CLASS

PEB02T1

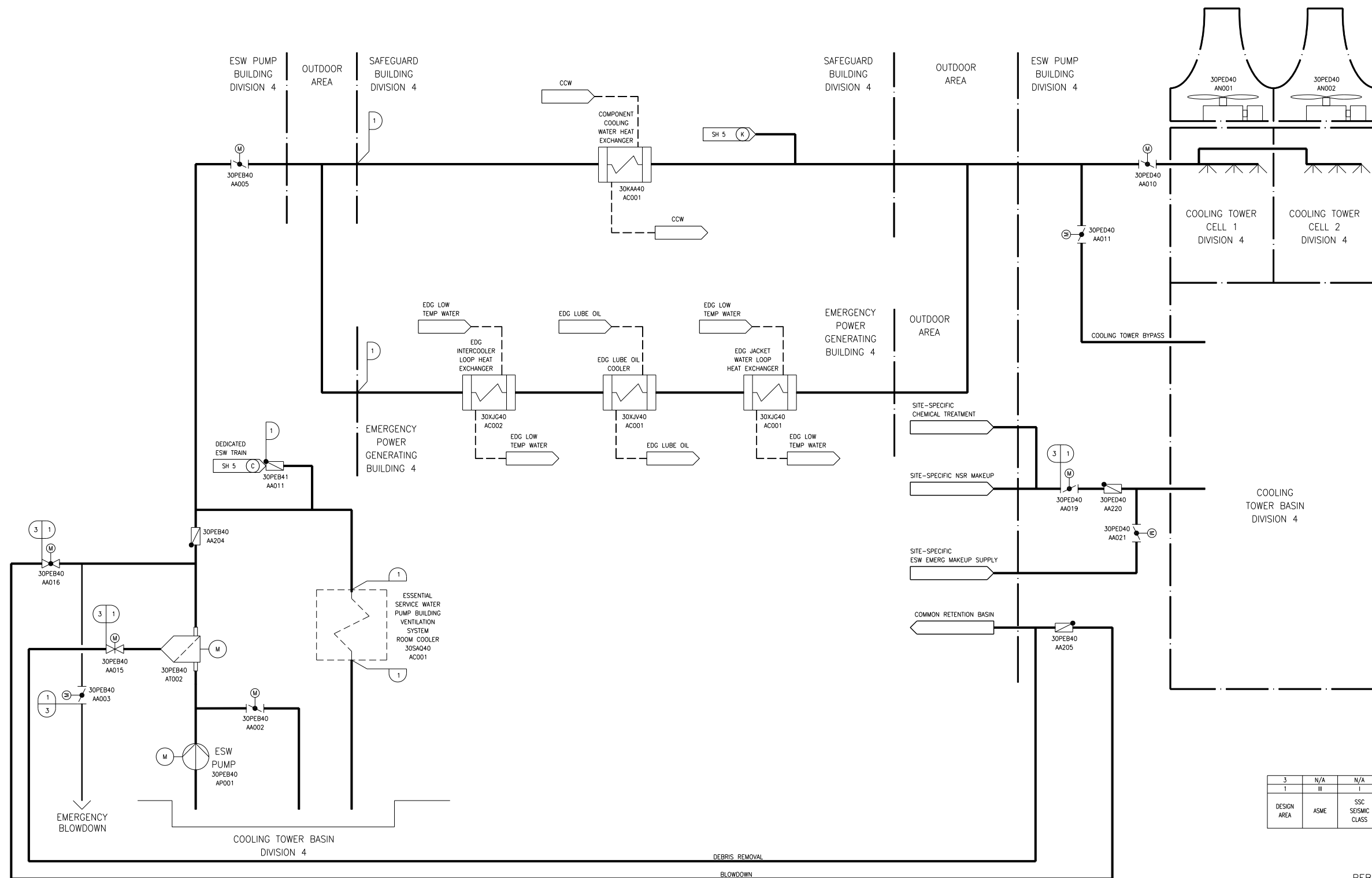
Figure 2.7.11-1—Essential Service Water System Functional Arrangement
Sheet 3 of 9



3	N/A	N/A
1	III	I
DESIGN AREA	ASME	SSC SEISMIC CLASS

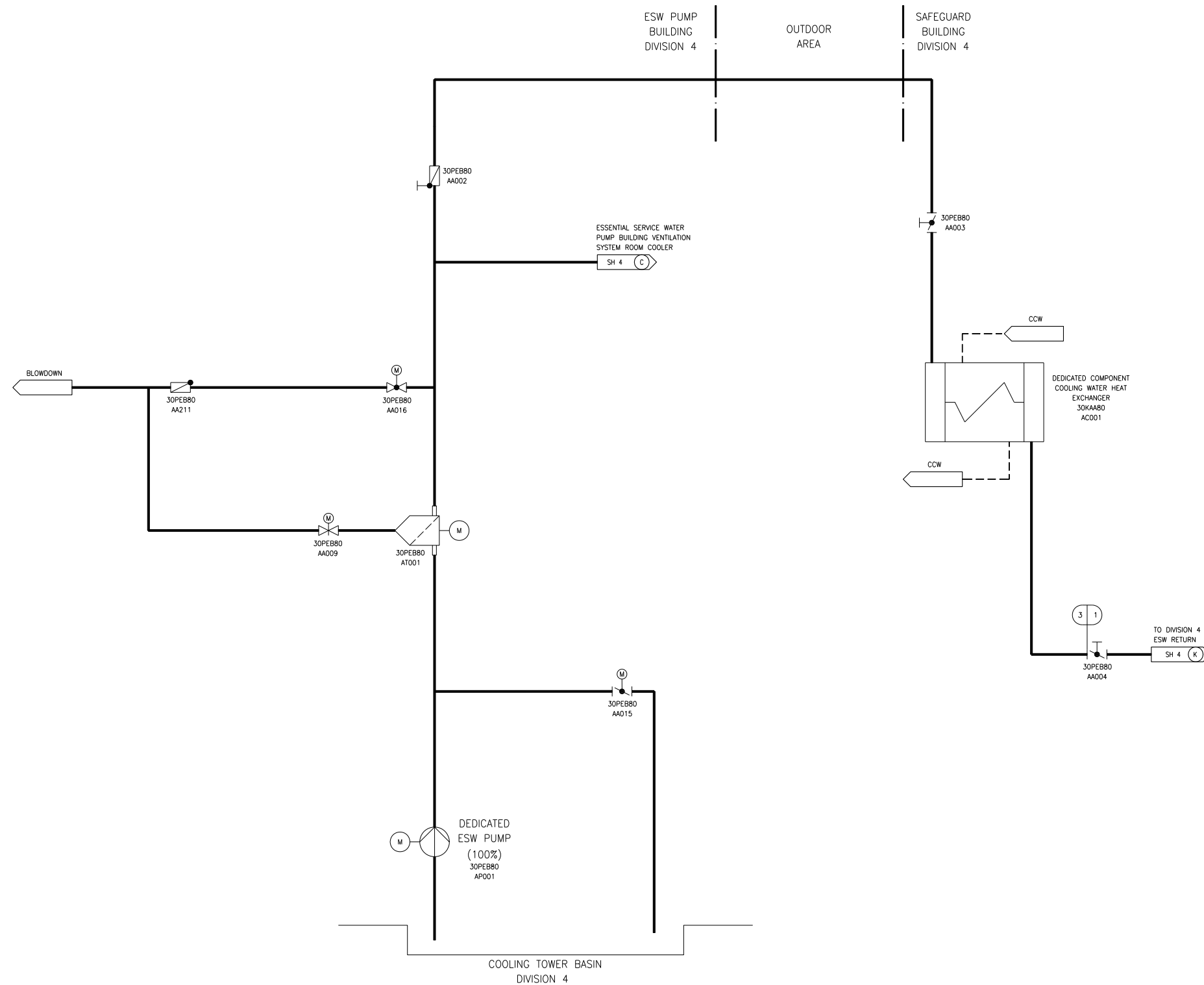
PEB03T1

Figure 2.7.11-1—Essential Service Water System Functional Arrangement
Sheet 4 of 9



PEB04T1

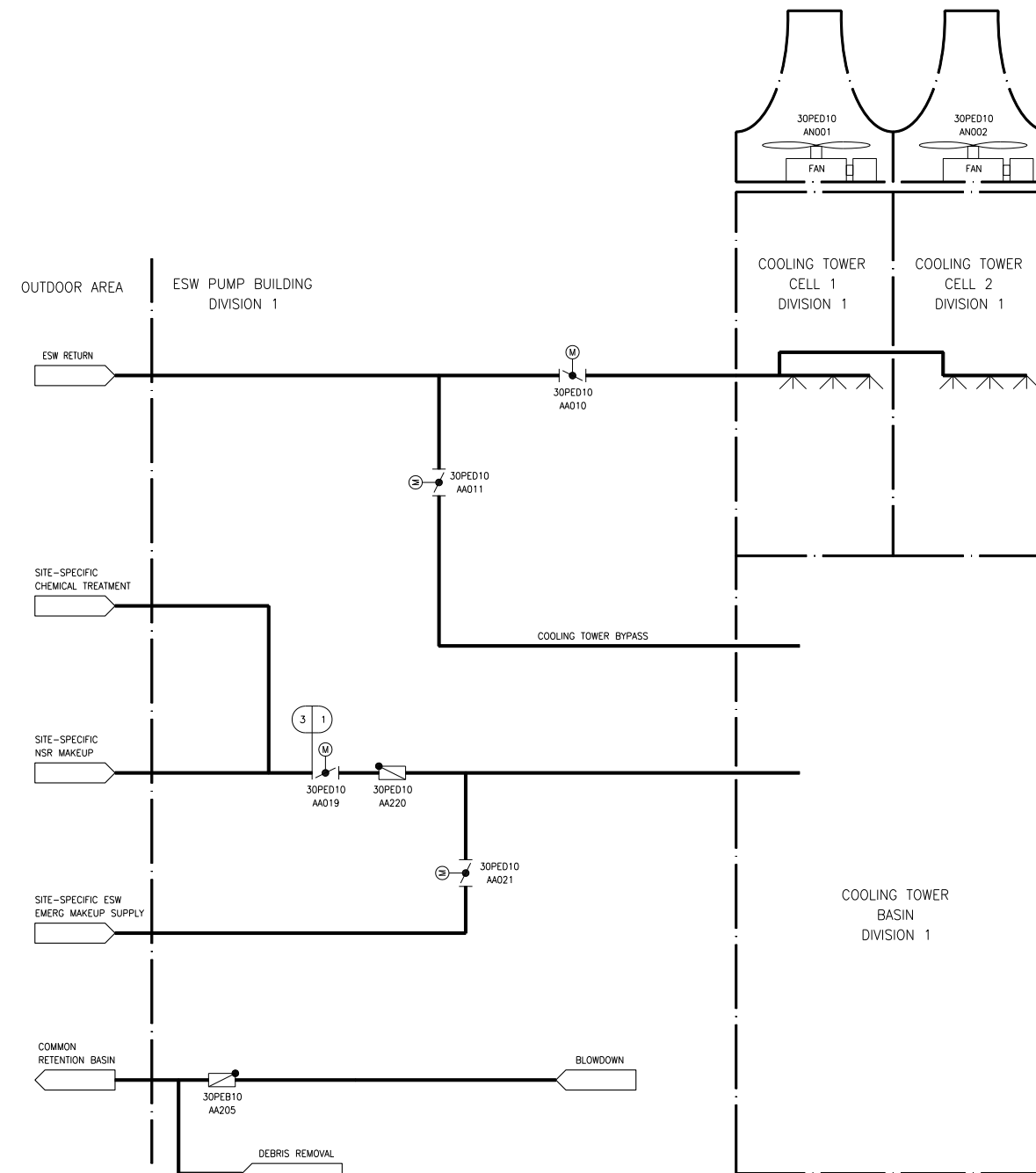
Figure 2.7.11-1—Essential Service Water System Functional Arrangement
Sheet 5 of 9



3	N/A	N/A
1	III	I
DESIGN AREA	ASME	SSC SEISMIC CLASS

PEB05T1

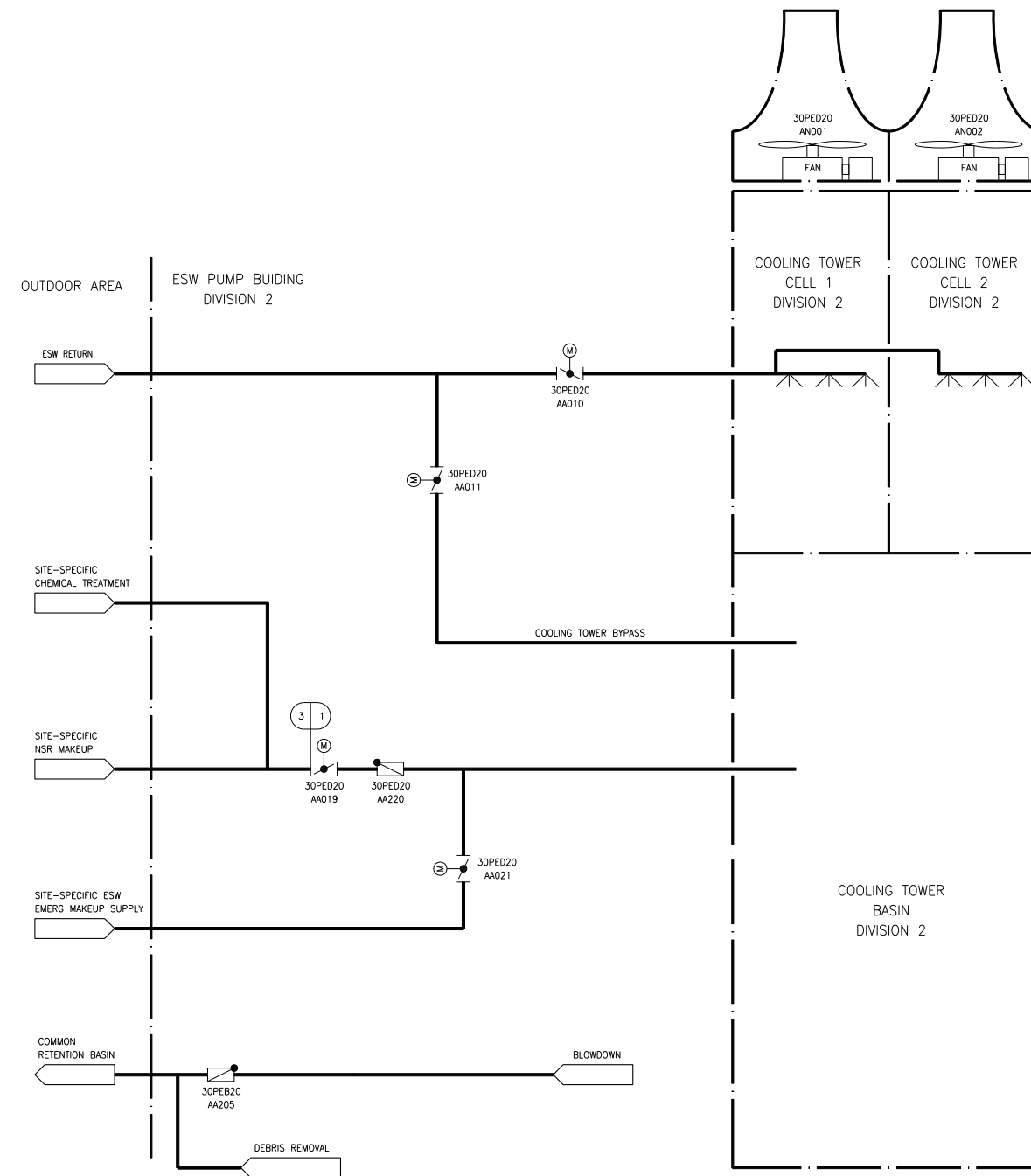
Figure 2.7.11-1—Essential Service Water System Functional Arrangement
Sheet 6 of 9



3	N/A	N/A
1	III	I
DESIGN AREA	ASME	SSC SEISMIC CLASS

PED01T1

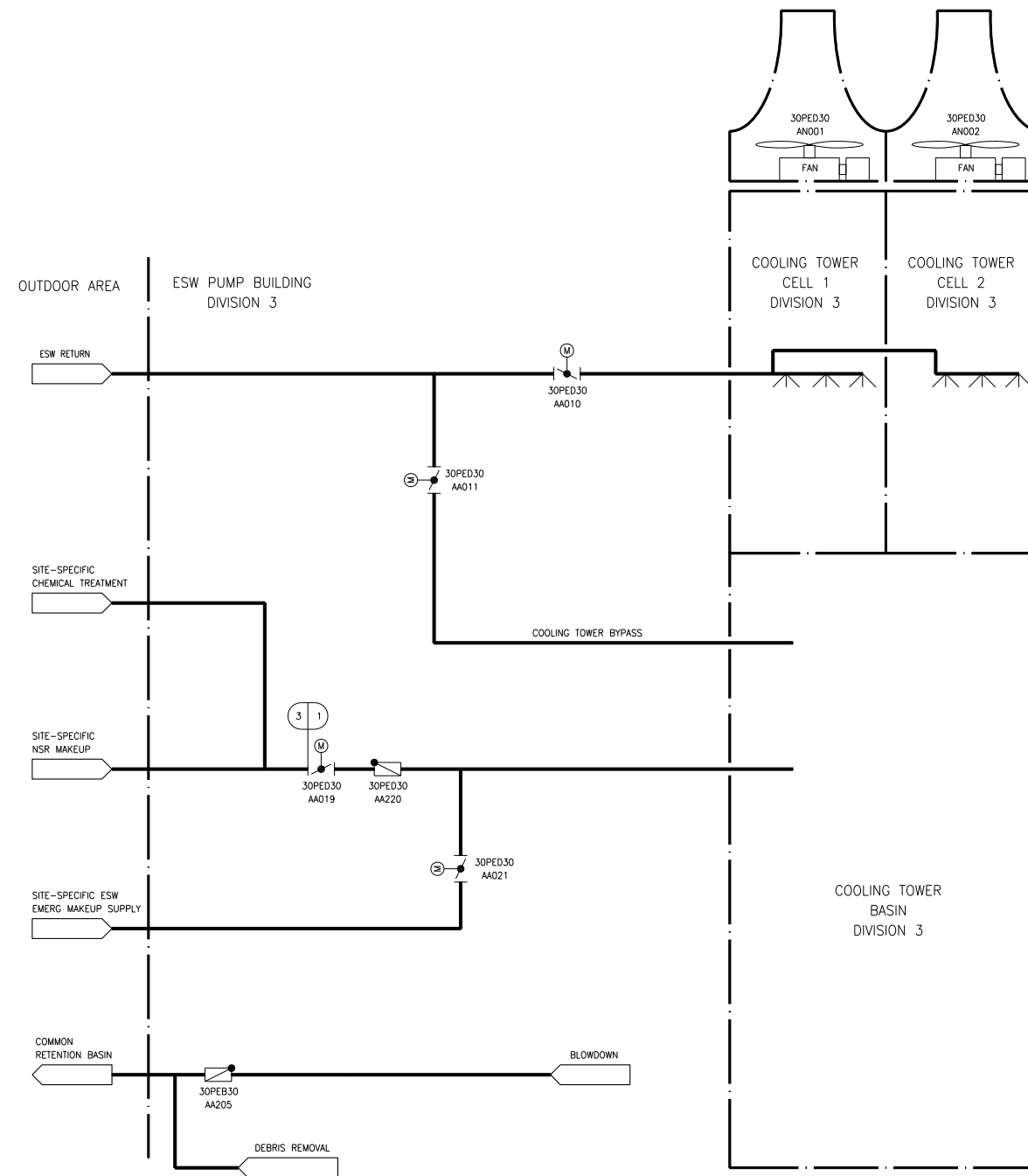
Figure 2.7.11-1—Essential Service Water System Functional Arrangement
Sheet 7 of 9



3	N/A	N/A
1	III	I
DESIGN AREA	ASME	SSC SEISMIC CLASS

PED02T1

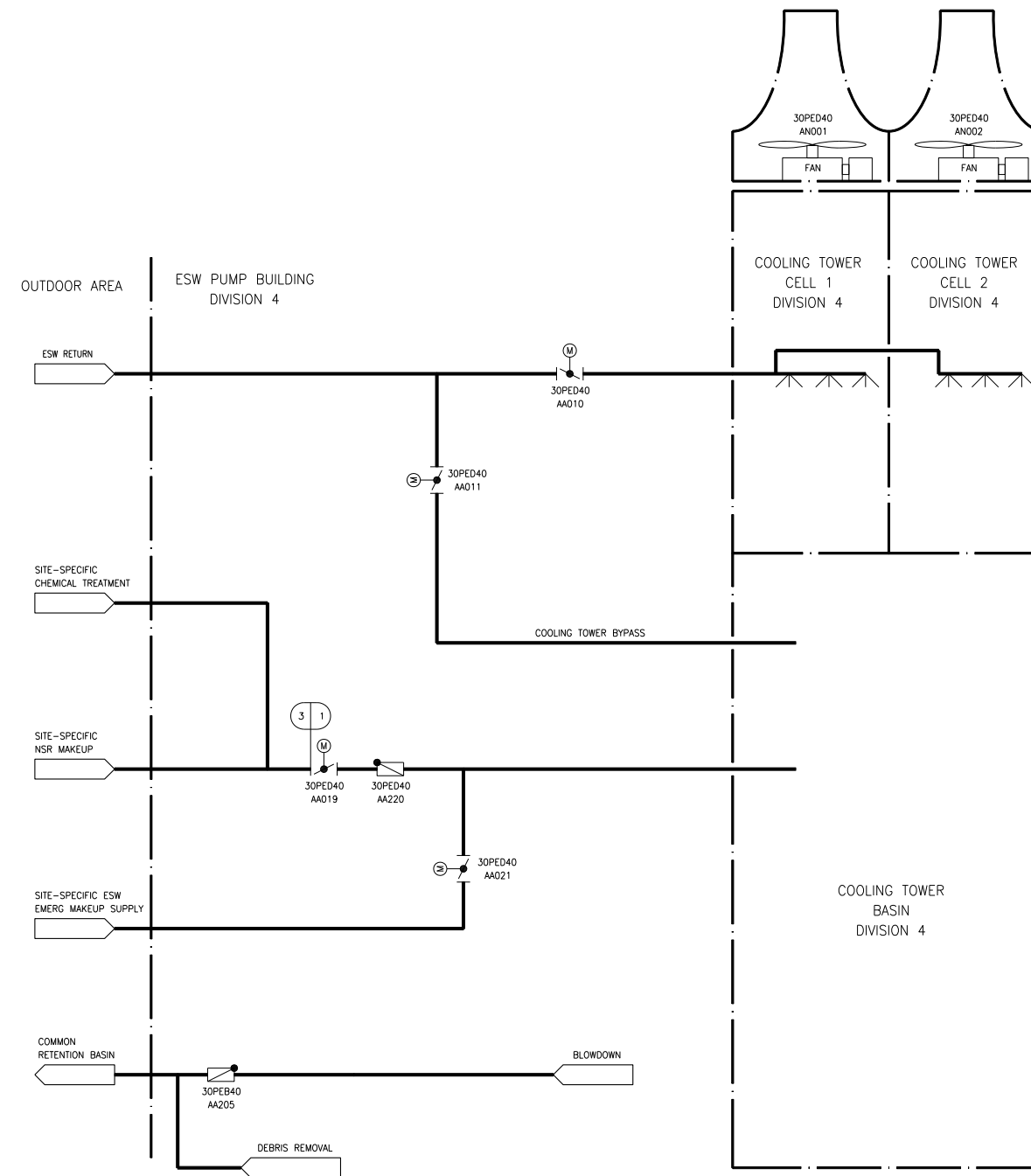
Figure 2.7.11-1—Essential Service Water System Functional Arrangement
Sheet 8 of 9



3	N/A	N/A
1	III	I
DESIGN AREA	ASME	SSC SEISMIC CLASS

PED03T1

Figure 2.7.11-1—Essential Service Water System Functional Arrangement
Sheet 9 of 9



3	N/A	N/A
1	III	I
DESIGN AREA	ASME	SSC SEISMIC CLASS

PED04T1