

Figure 2.7.2-1—Safety Chilled Water System Functional Arrangement
Sheet 1 of 4

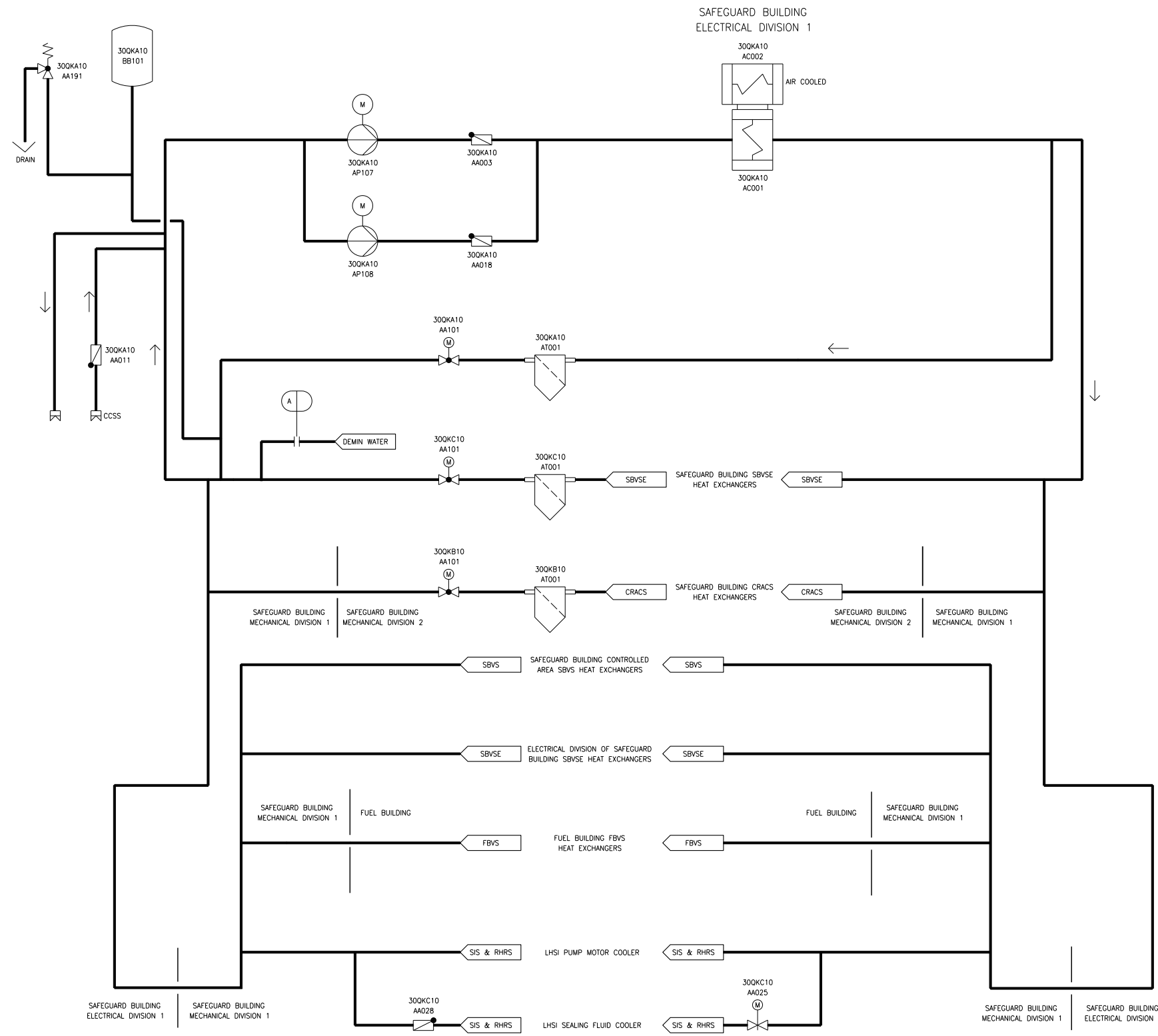
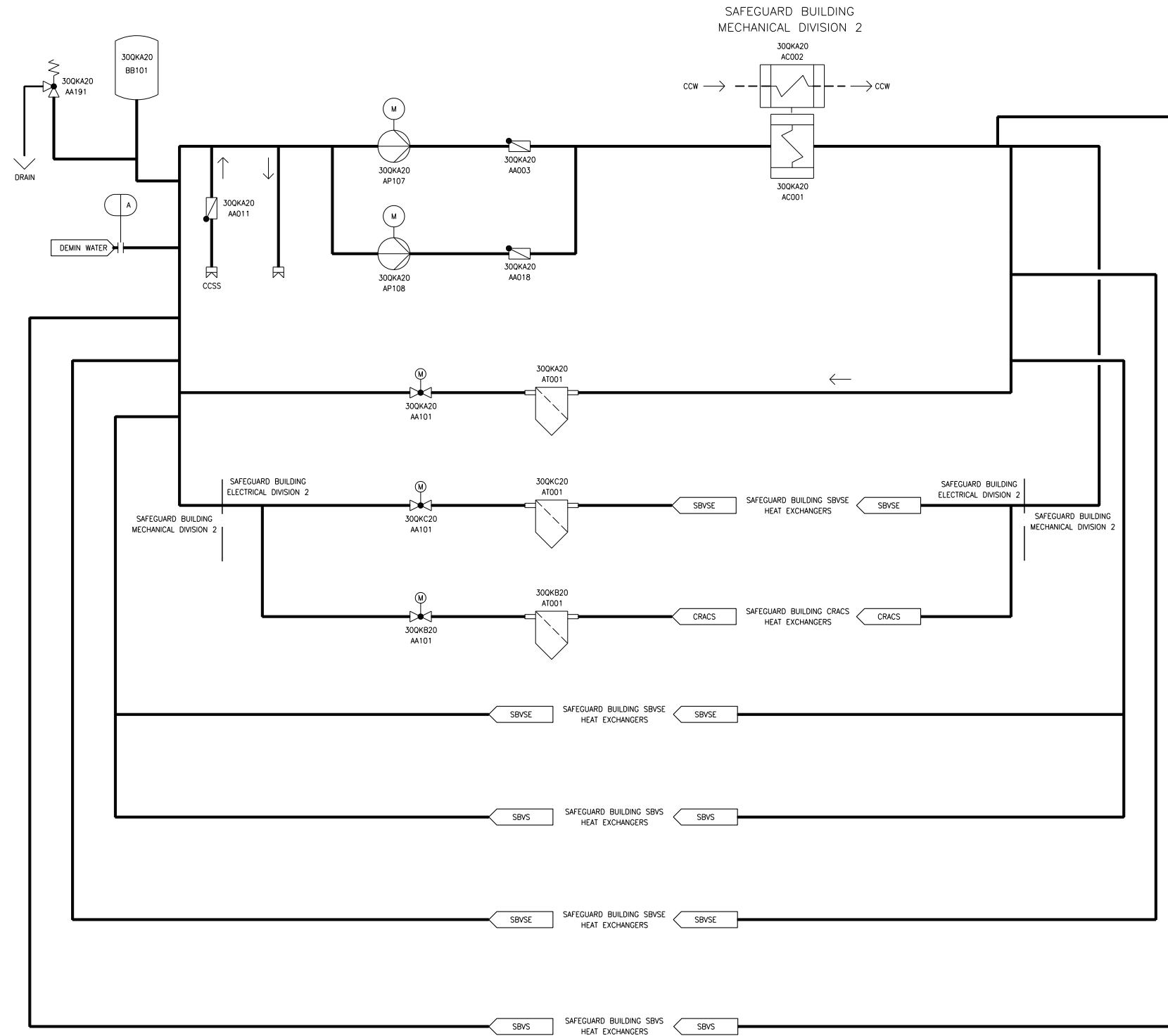


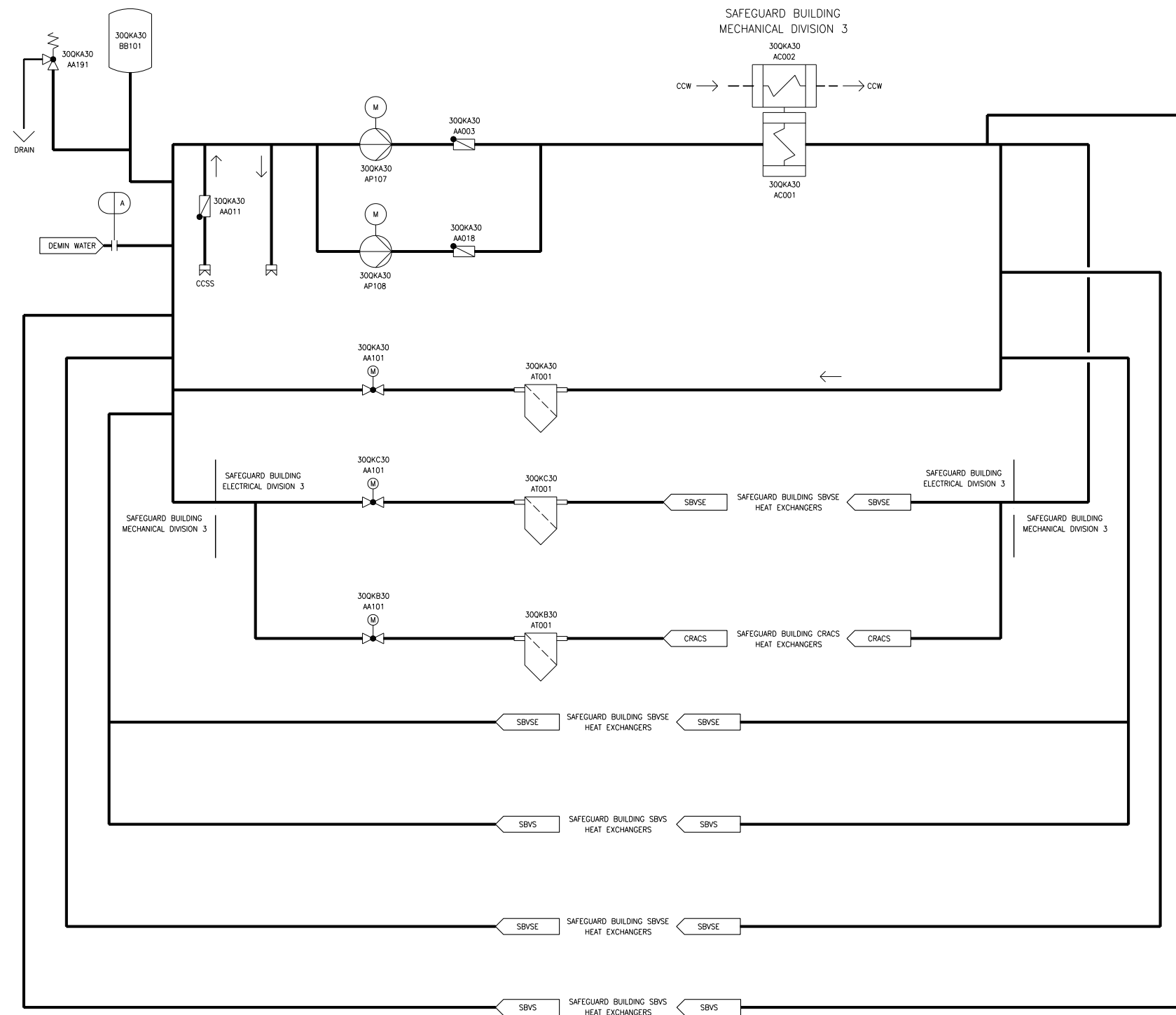
Figure 2.7.2-1—Safety Chilled Water System Functional Arrangement
Sheet 2 of 4



I	III	I
DESIGN AREA	ASME	SSC SEISMIC CLASS

QKA02T1

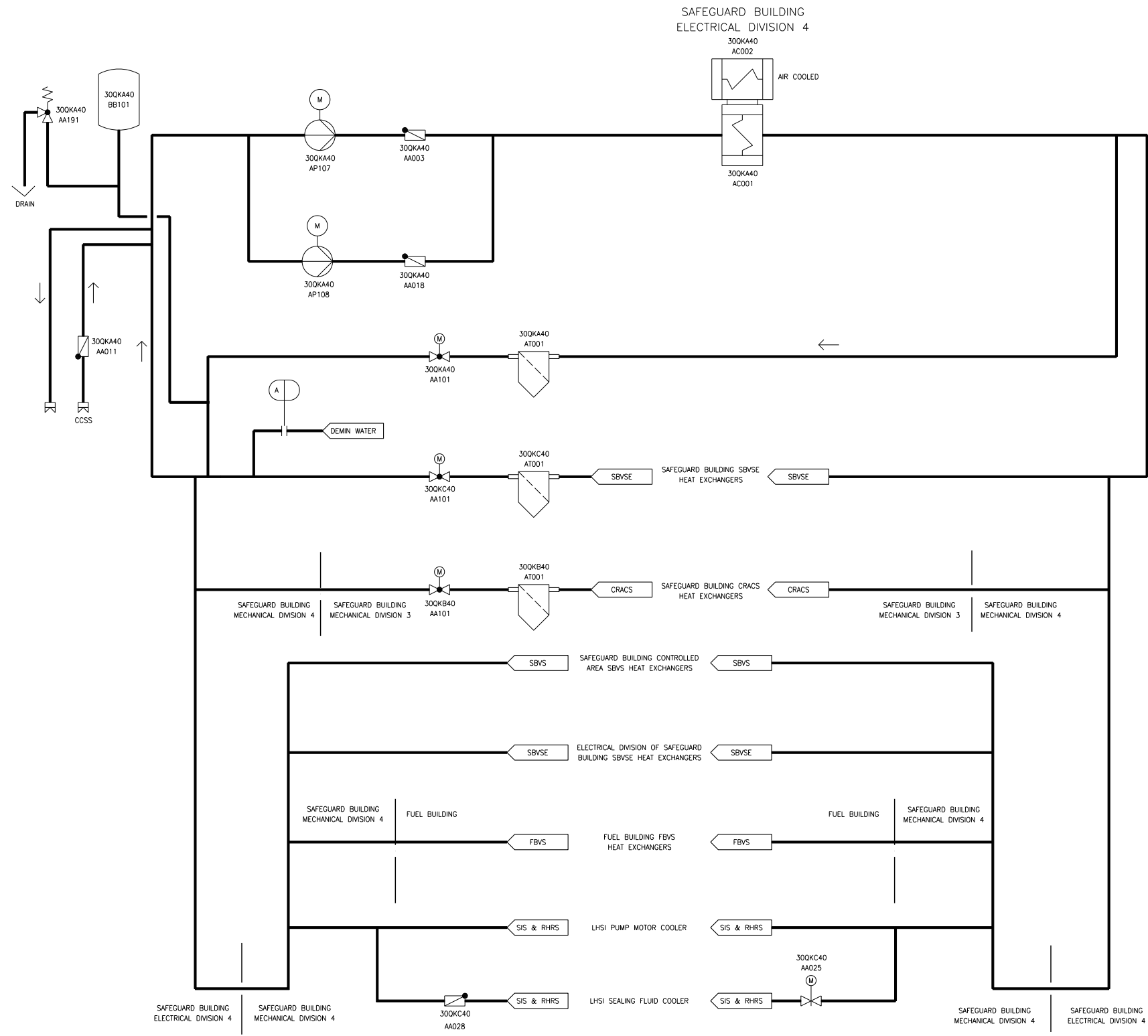
Figure 2.7.2-1—Safety Chilled Water System Functional Arrangement
Sheet 3 of 4



I	III	I
DESIGN AREA	ASME	SSC SEISMIC CLASS

QKA03T1

Figure 2.7.2-1—Safety Chilled Water System Functional Arrangement
Sheet 4 of 4



I	III	I
DESIGN AREA	ASME	SSC SEISMIC CLASS

QKA04T1