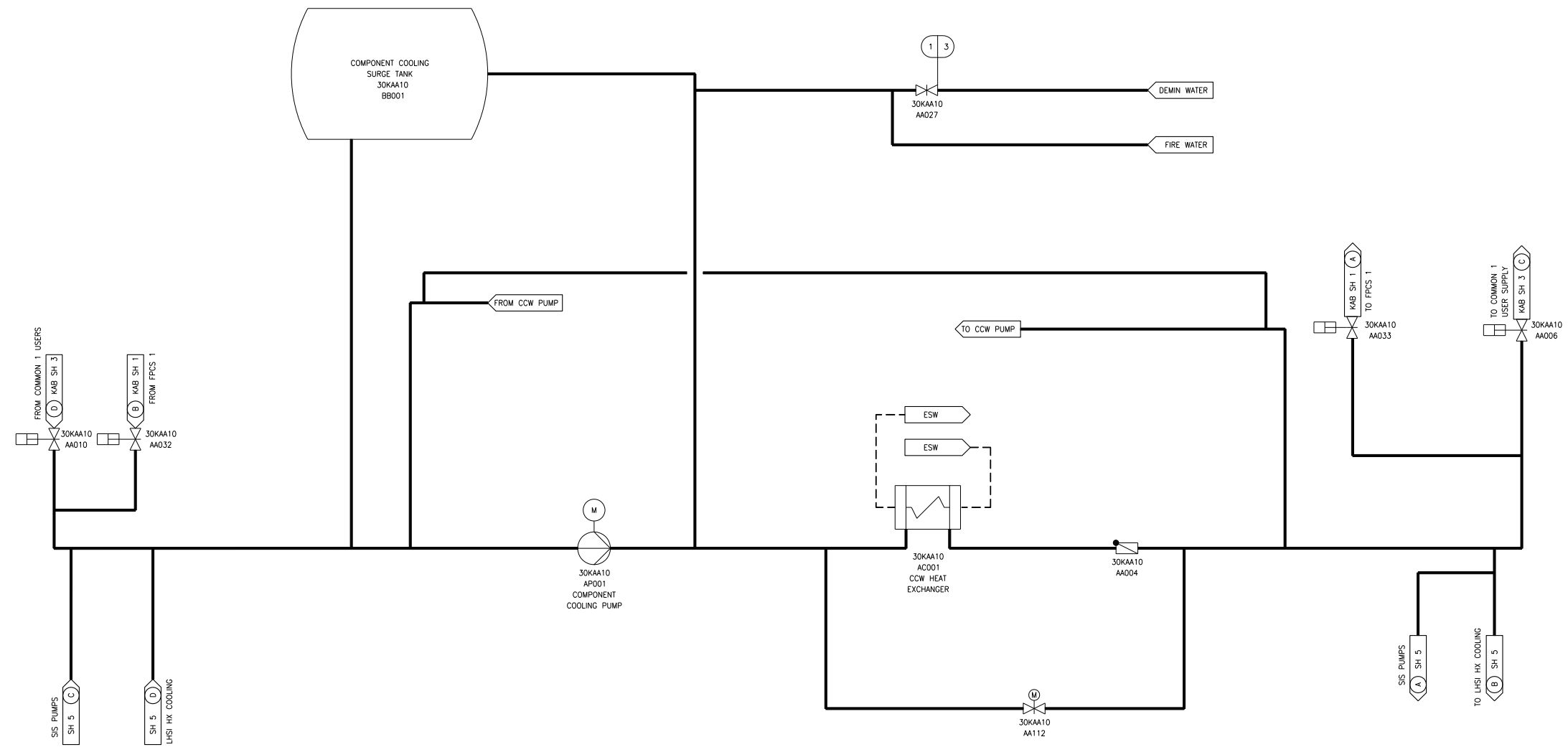


Figure 2.7.1-1—Component Cooling Water System Functional Arrangement  
Sheet 1 of 24

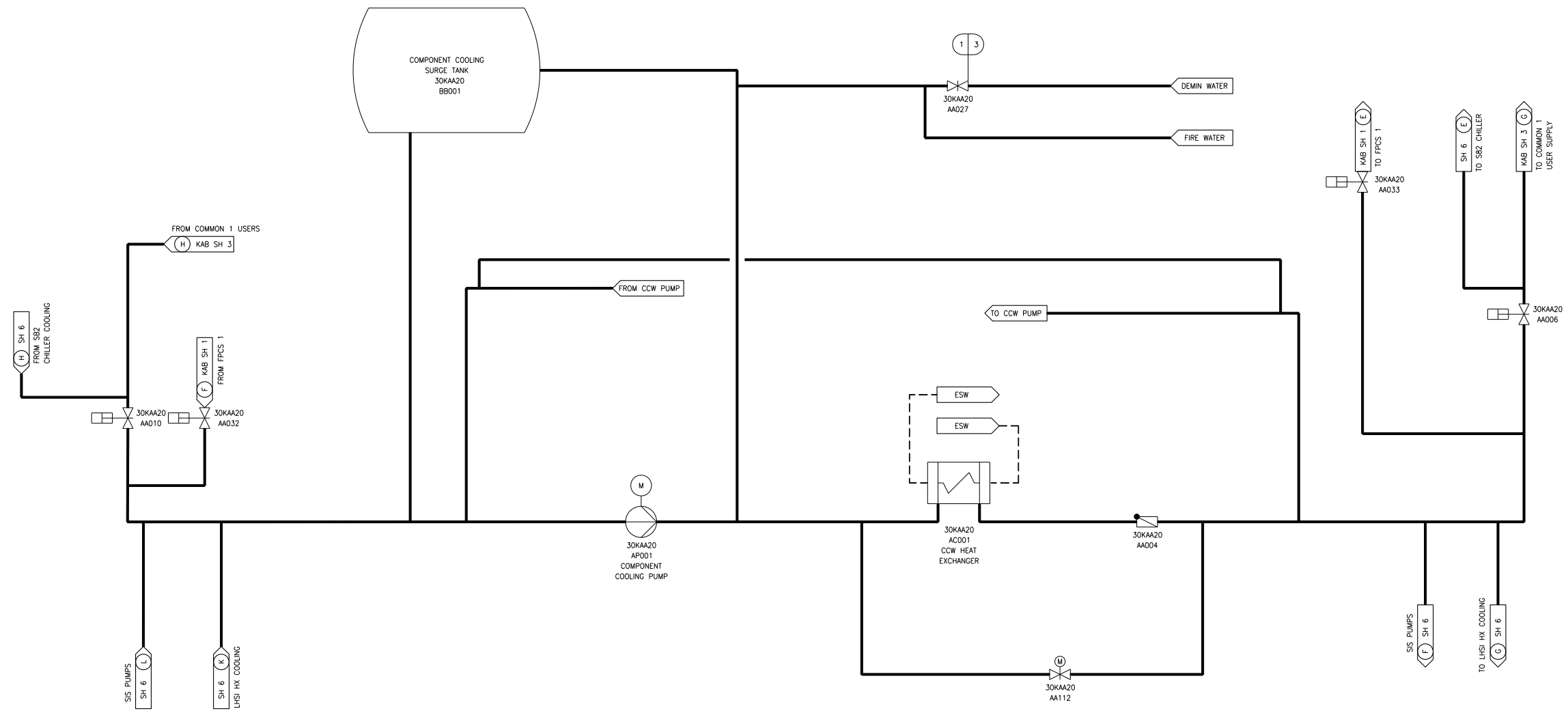


SAFEGUARD BUILDING MECHANICAL DIVISION 1

|             |      |                   |
|-------------|------|-------------------|
| 3           | N/A  | N/A               |
| 1           | III  | I                 |
| DESIGN AREA | ASME | SSC SEISMIC CLASS |

KAA01T1

Figure 2.7.1-1—Component Cooling Water System Functional Arrangement  
Sheet 2 of 24

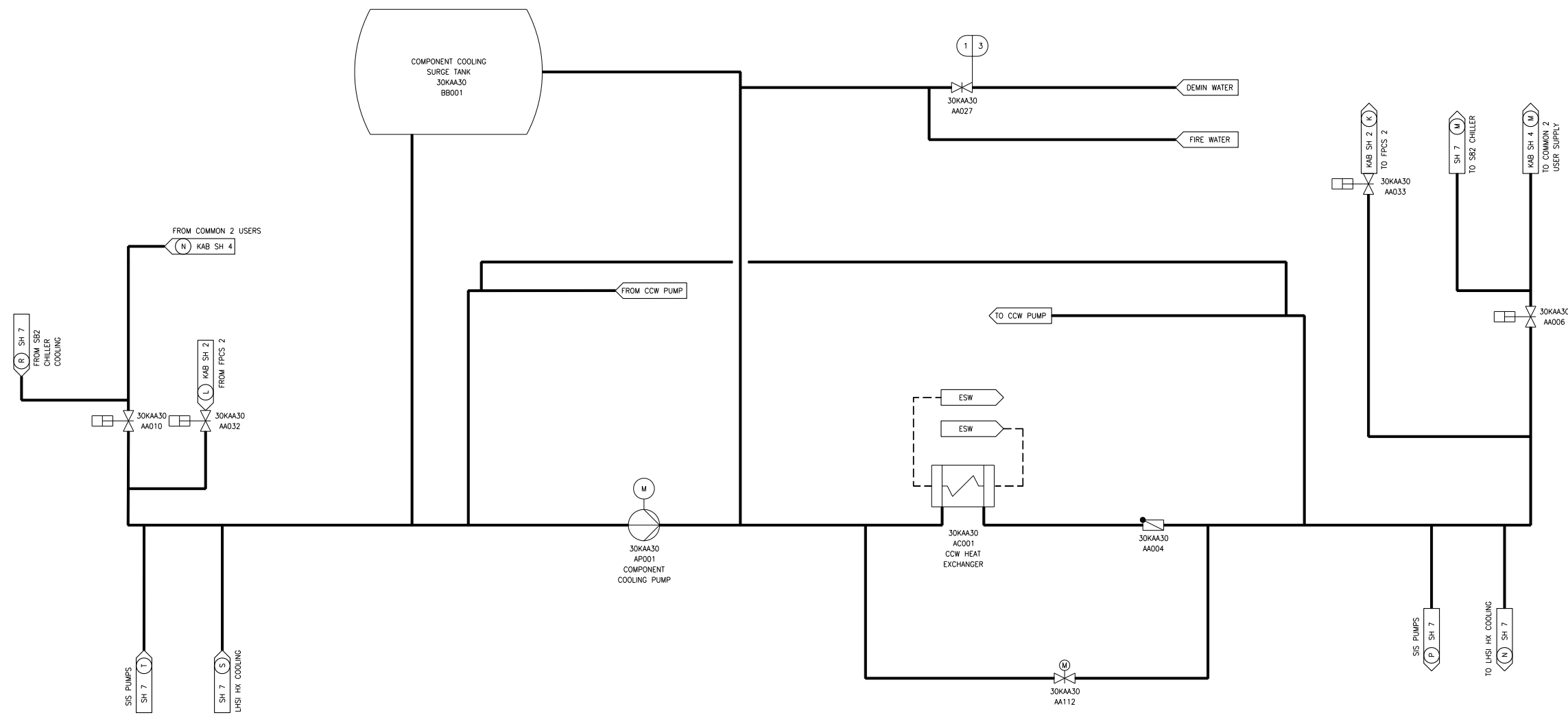


SAFEGUARD BUILDING MECHANICAL DIVISION 2

|             |      |                   |
|-------------|------|-------------------|
| 3           | N/A  | N/A               |
| 1           | III  | I                 |
| DESIGN AREA | ASME | SSC SEISMIC CLASS |

KAA02T1

Figure 2.7.1-1—Component Cooling Water System Functional Arrangement  
Sheet 3 of 24

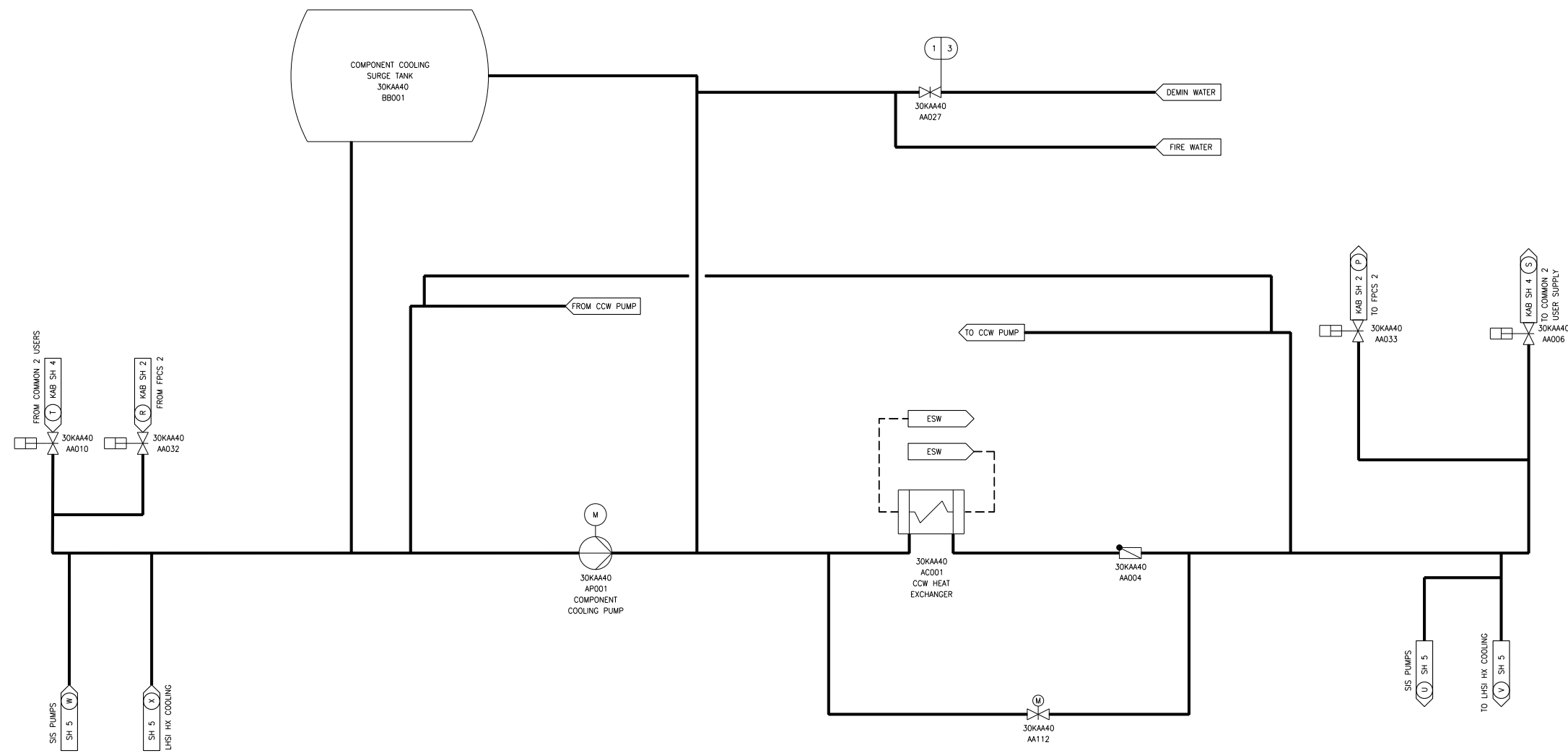


SAFEGUARD BUILDING MECHANICAL DIVISION 3

|             |      |                   |
|-------------|------|-------------------|
| 3           | N/A  | N/A               |
| 1           | III  | I                 |
| DESIGN AREA | ASME | SSC SEISMIC CLASS |

KAA03T1

Figure 2.7.1-1—Component Cooling Water System Functional Arrangement  
Sheet 4 of 24

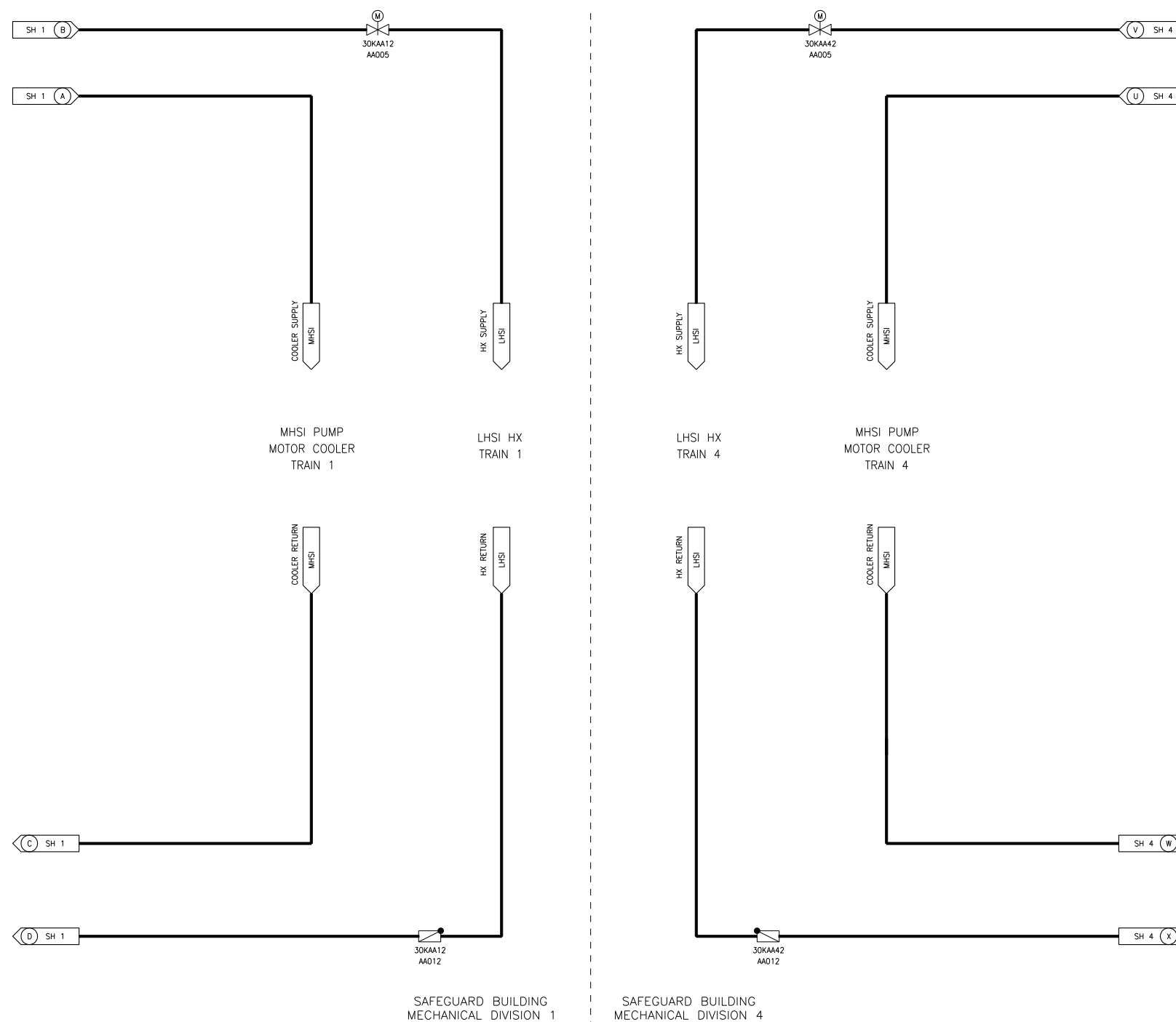


SAFEGUARD BUILDING MECHANICAL DIVISION 4

|             |      |                   |
|-------------|------|-------------------|
| 3           | N/A  | N/A               |
| 1           | III  | I                 |
| DESIGN AREA | ASME | SSC SEISMIC CLASS |

KAA04T1

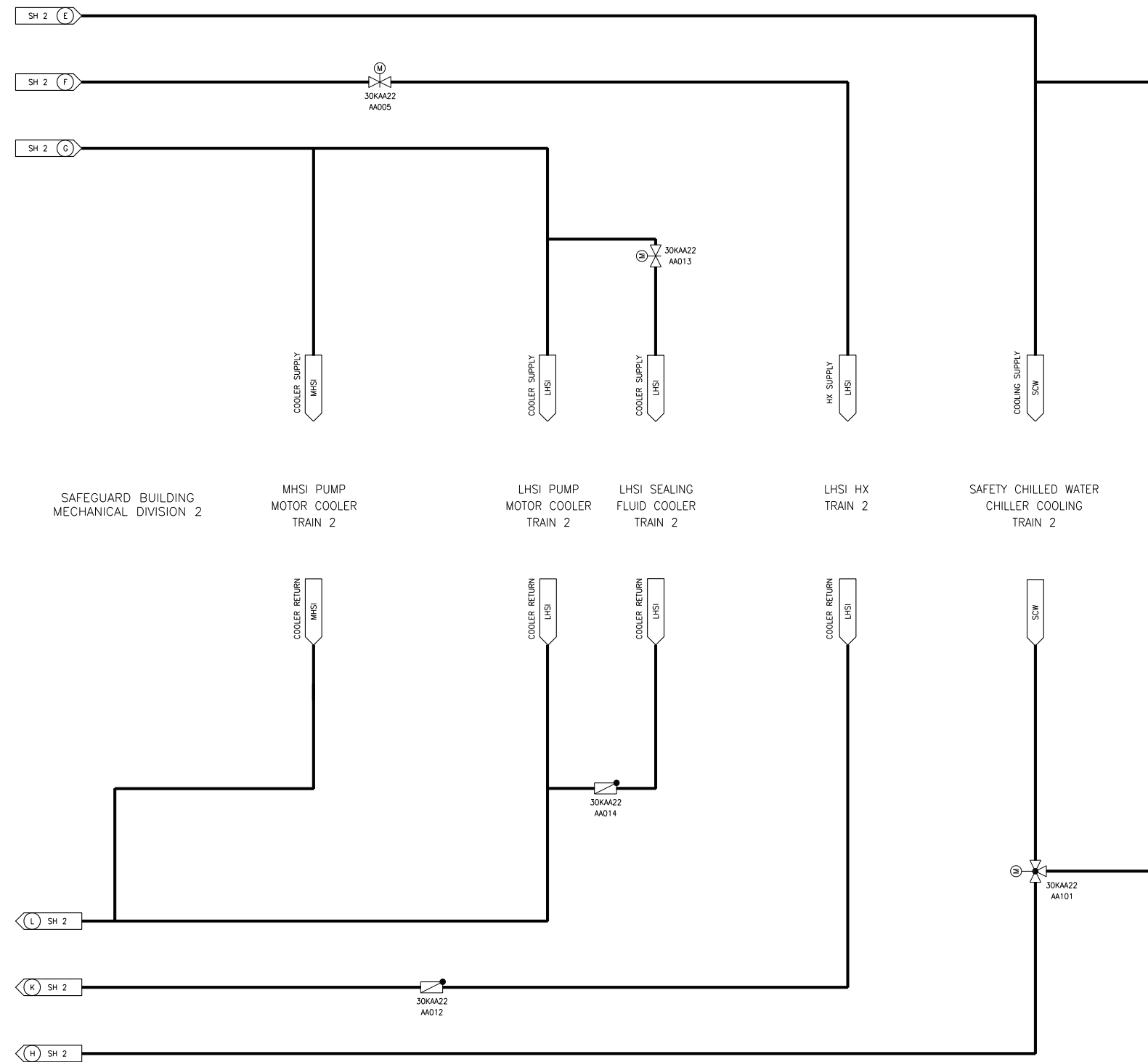
Figure 2.7.1-1—Component Cooling Water System Functional Arrangement  
Sheet 5 of 24



|             |      |                   |
|-------------|------|-------------------|
| I           | III  | I                 |
| DESIGN AREA | ASME | SSC SEISMIC CLASS |

KAA05T1

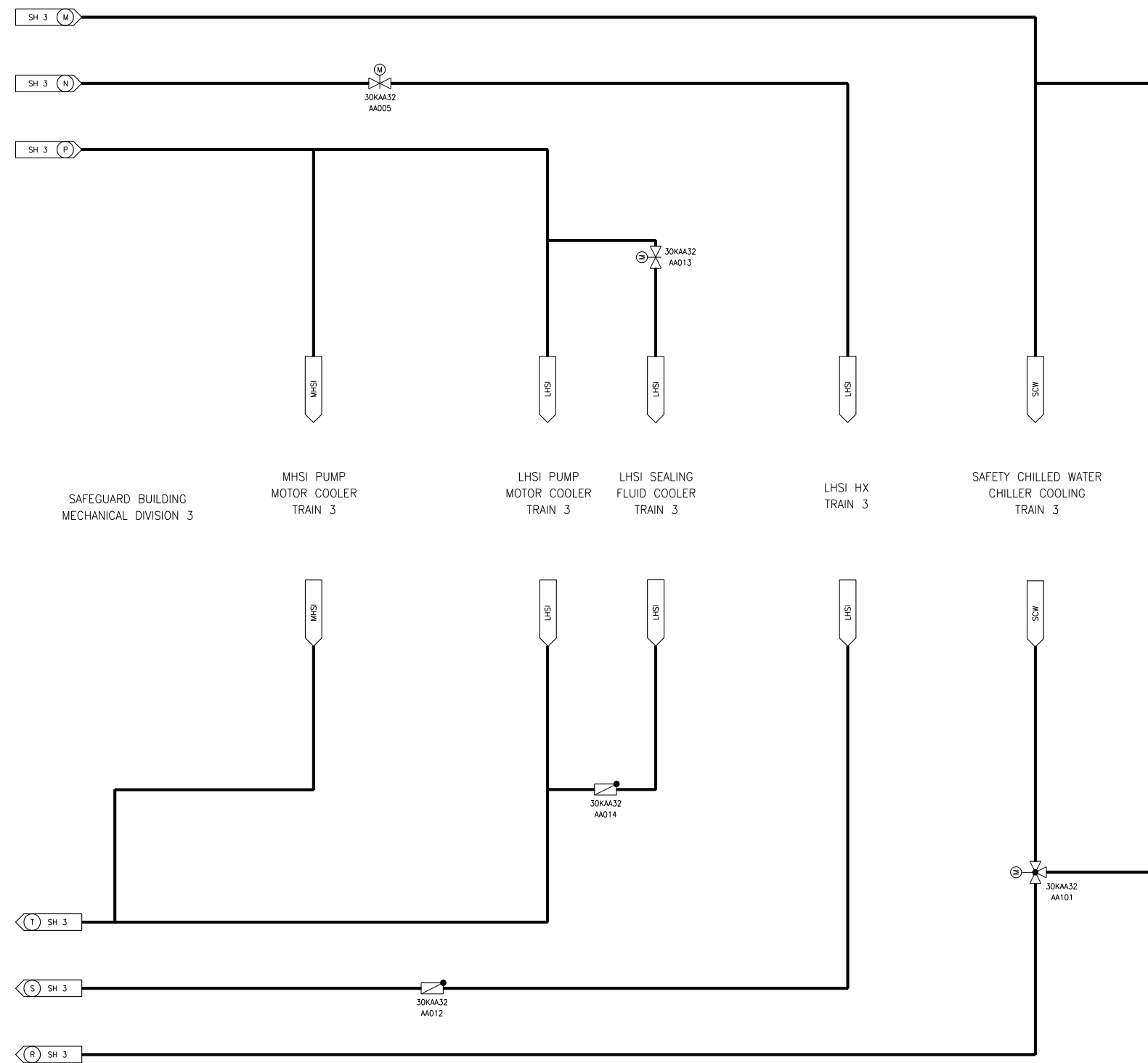
Figure 2.7.1-1—Component Cooling Water System Functional Arrangement  
Sheet 6 of 24



|             |      |                   |
|-------------|------|-------------------|
| I           | III  | I                 |
| DESIGN AREA | ASME | SSC SEISMIC CLASS |

KAA06T1

Figure 2.7.1-1—Component Cooling Water System Functional Arrangement  
Sheet 7 of 24

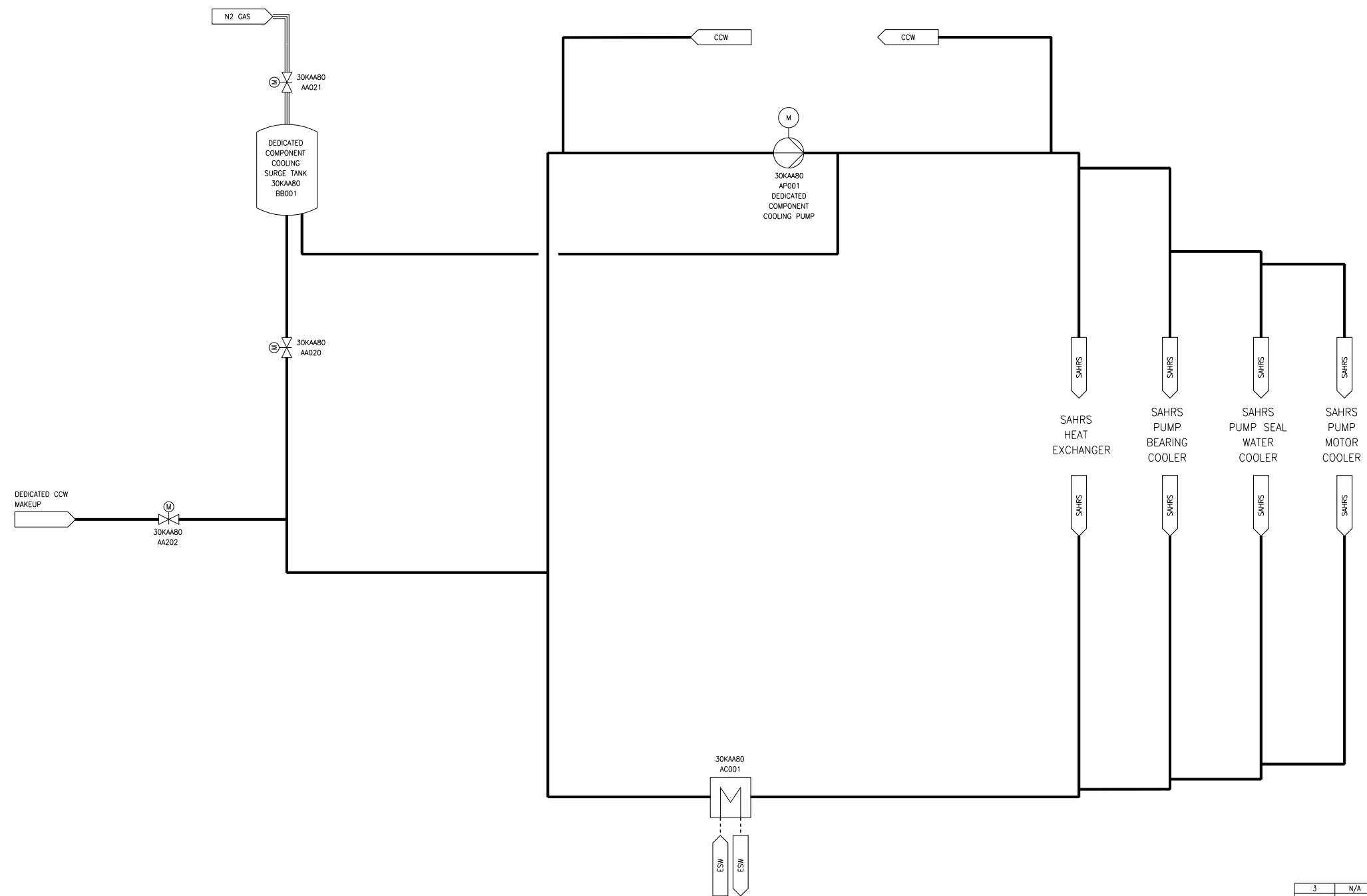


| DESIGN AREA | ASME | SSC SEISMIC CLASS |
|-------------|------|-------------------|
| I           | III  | I                 |

KAA07T1

Figure 2.7.1-1—Component Cooling Water System Functional Arrangement  
Sheet 8 of 24

SAFEGUARD  
BUILDING  
MECHANICAL  
DIVISION 4

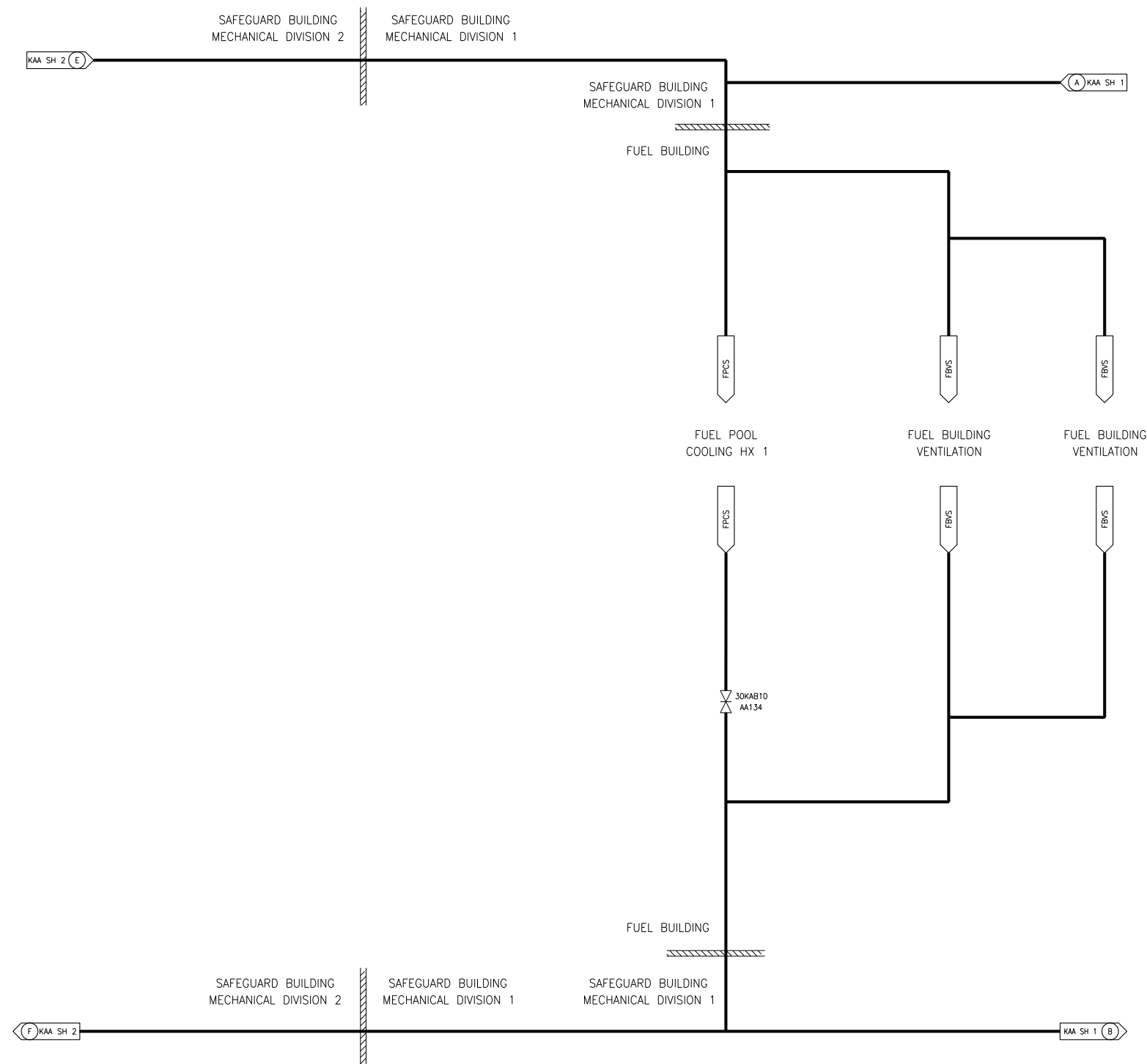


|             |      |                   |
|-------------|------|-------------------|
| 3           | N/A  | N/A               |
| DESIGN AREA | ASME | SSC SEISMIC CLASS |

KAA08T1



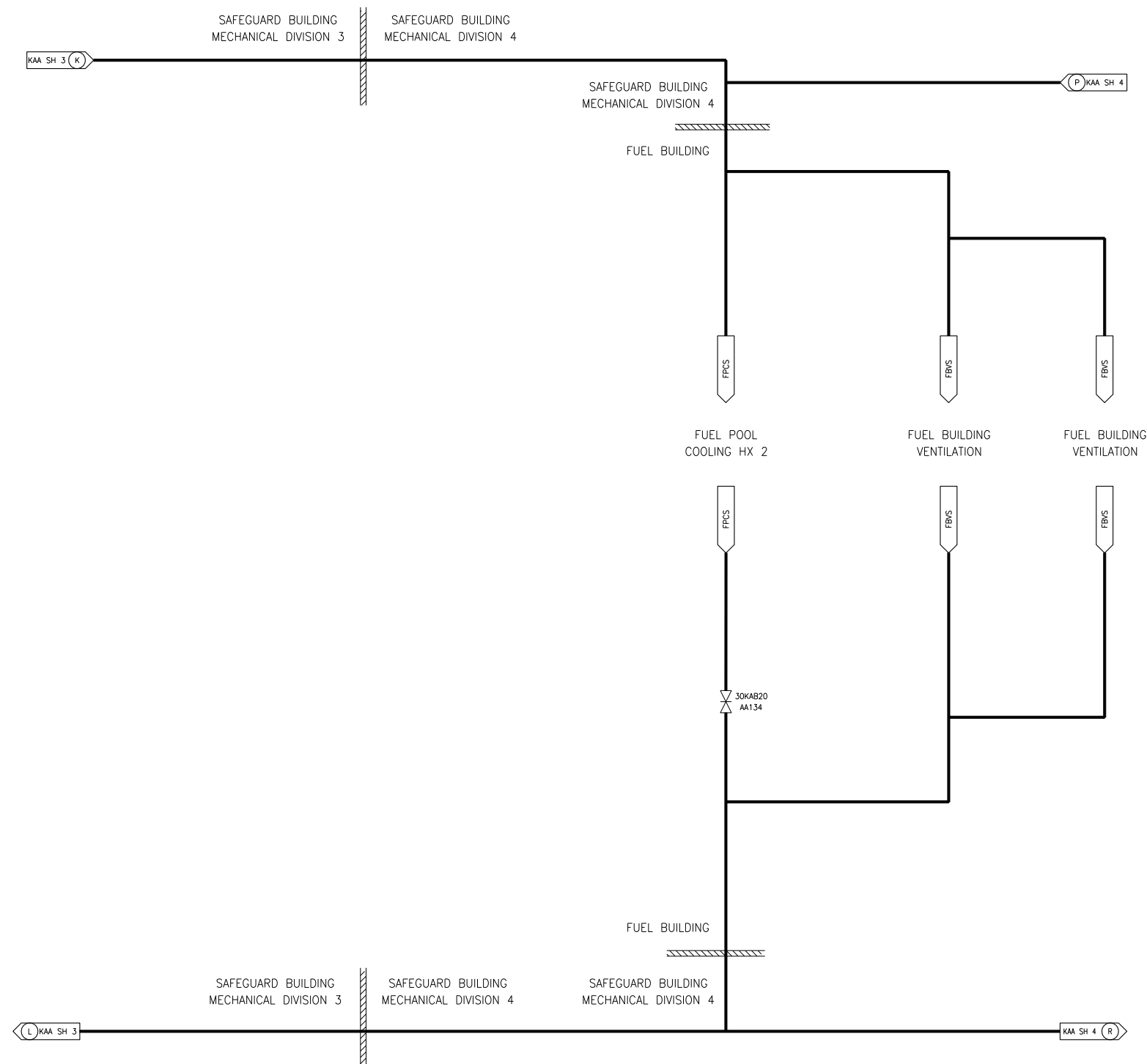
**Figure 2.7.1-1—Component Cooling Water System Functional Arrangement**  
**Sheet 9 of 24**



|             |      |                   |
|-------------|------|-------------------|
| I           | III  | I                 |
| DESIGN AREA | ASME | SSC SEISMIC CLASS |

KAB01T1

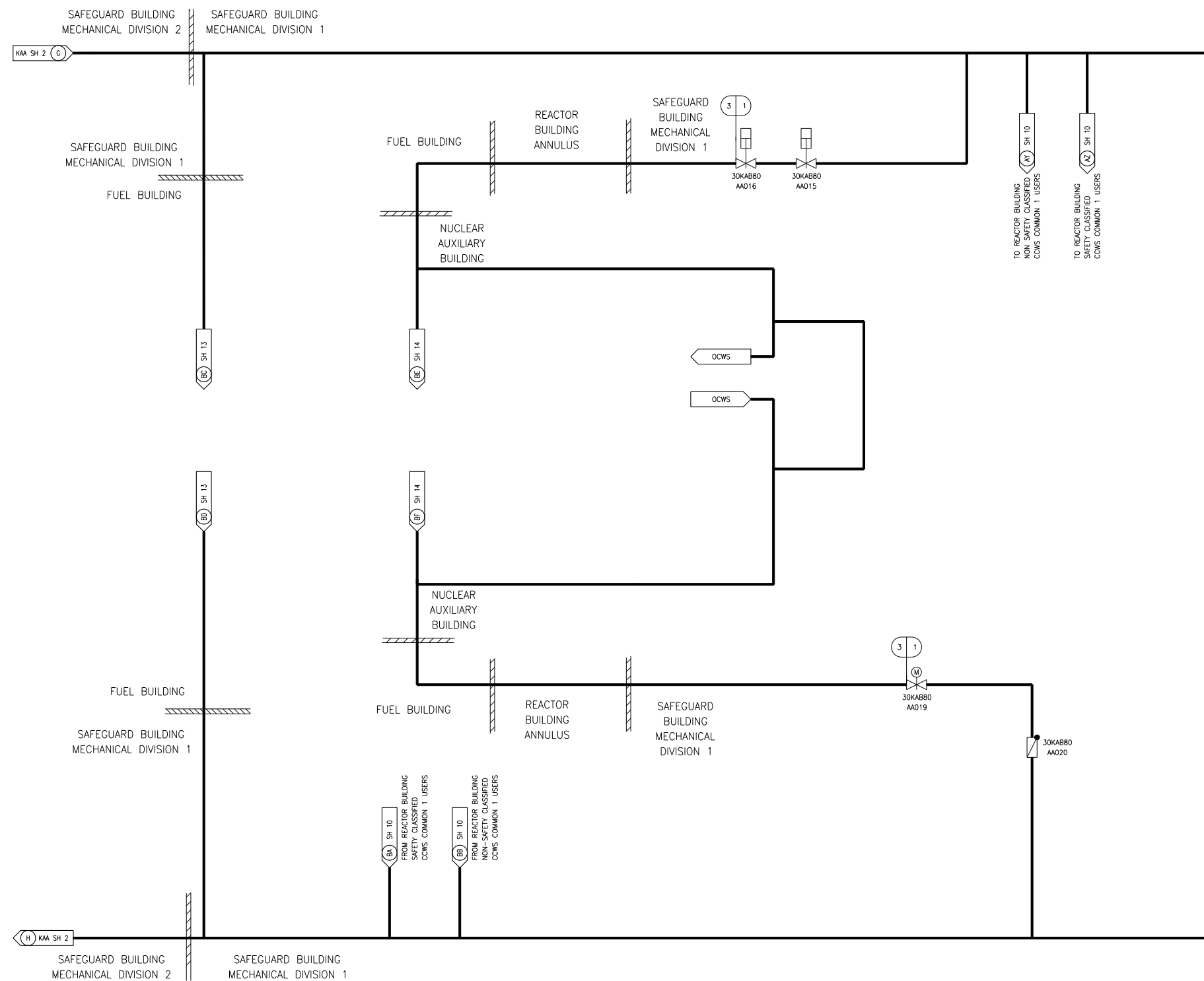
Figure 2.7.1-1—Component Cooling Water System Functional Arrangement  
Sheet 10 of 24



|             |      |                   |
|-------------|------|-------------------|
| I           | III  | I                 |
| DESIGN AREA | ASME | SSC SEISMIC CLASS |

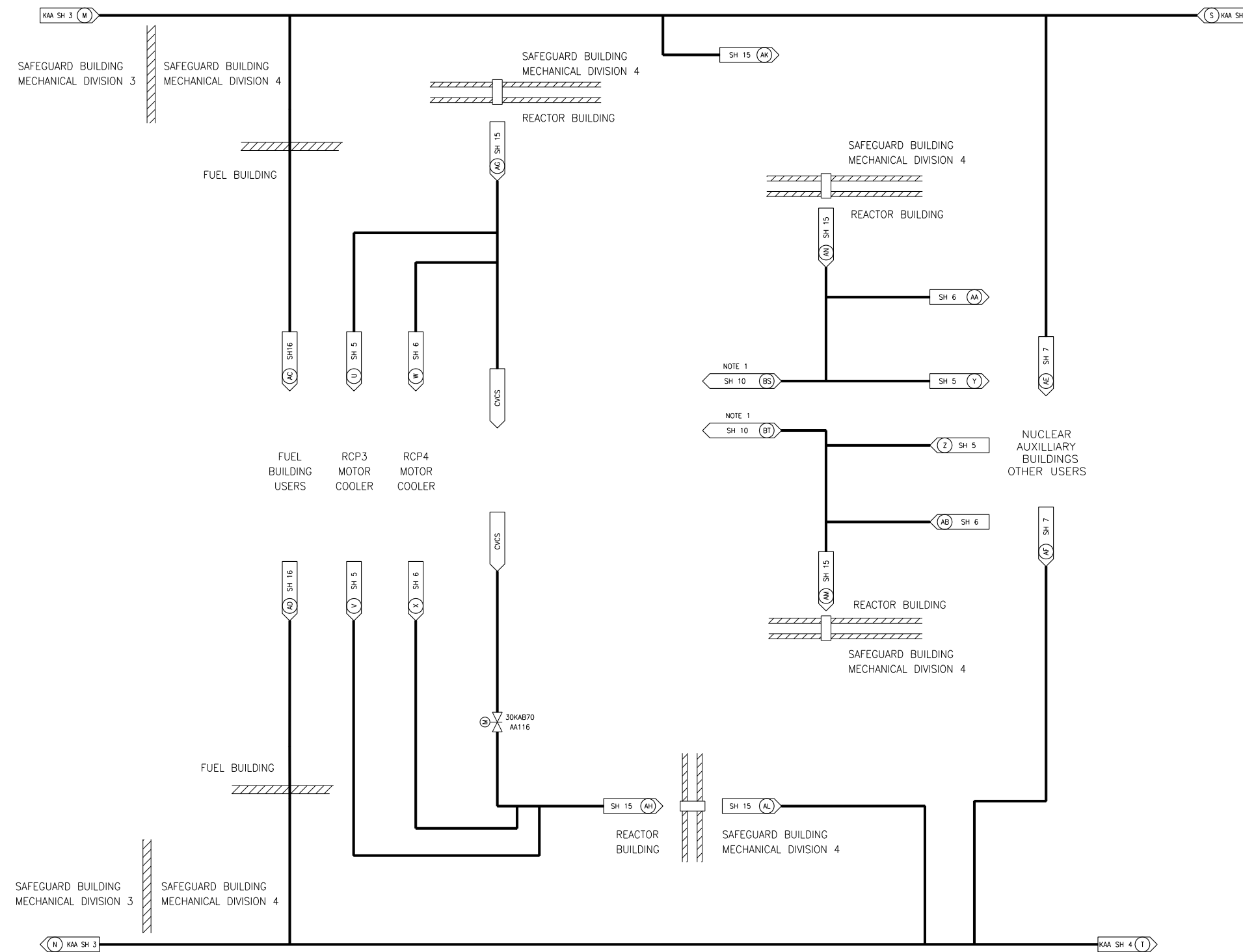
KAB02T1

Figure 2.7.1-1—Component Cooling Water System Functional Arrangement  
Sheet 11 of 24



KAB03T1

Figure 2.7.1-1—Component Cooling Water System Functional Arrangement  
Sheet 12 of 24

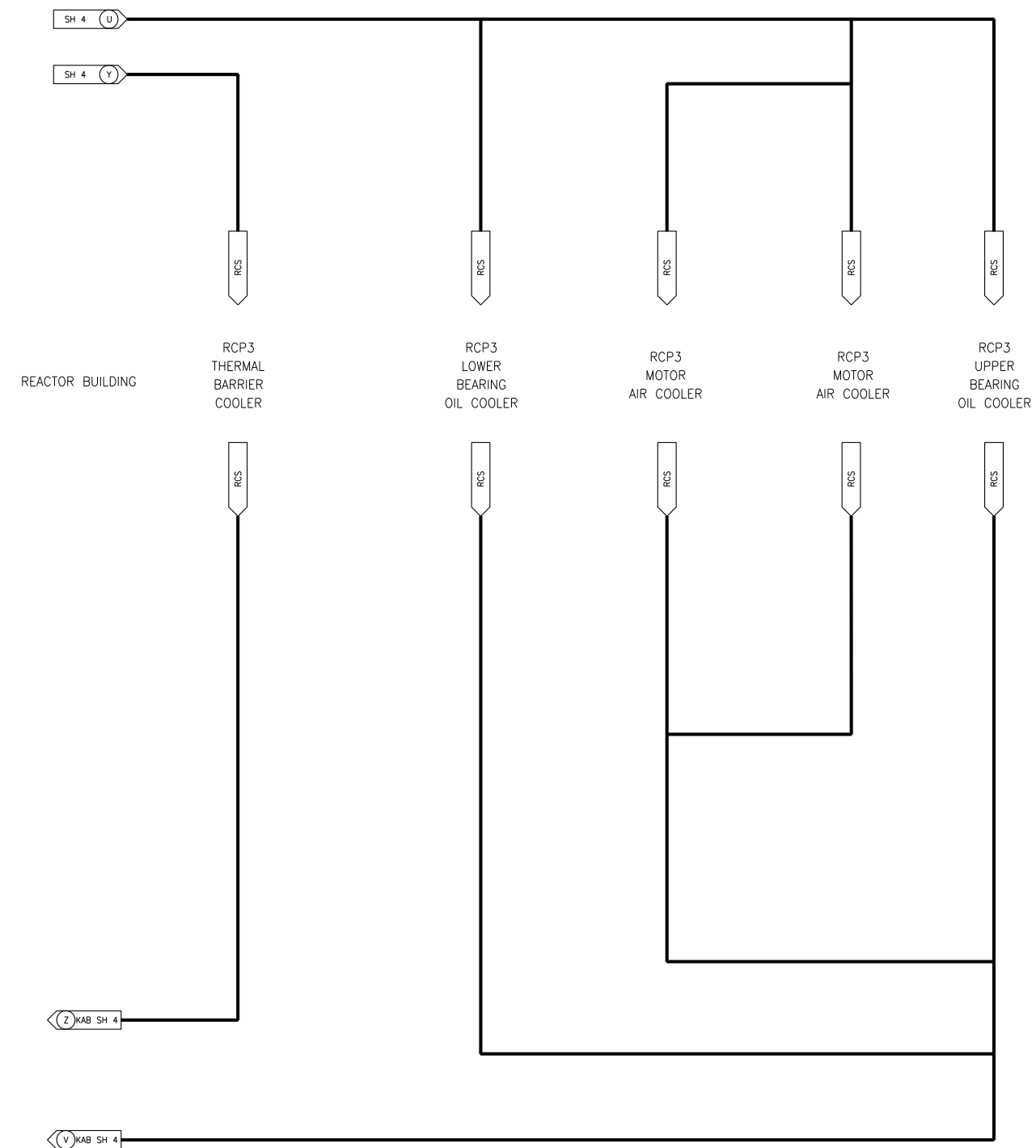


NOTE:  
1. RCP THERMAL BARRIER CROSS TIE.

|             |      |                   |
|-------------|------|-------------------|
| I           | III  | I                 |
| DESIGN AREA | ASME | SSC SEISMIC CLASS |

KAB04T1

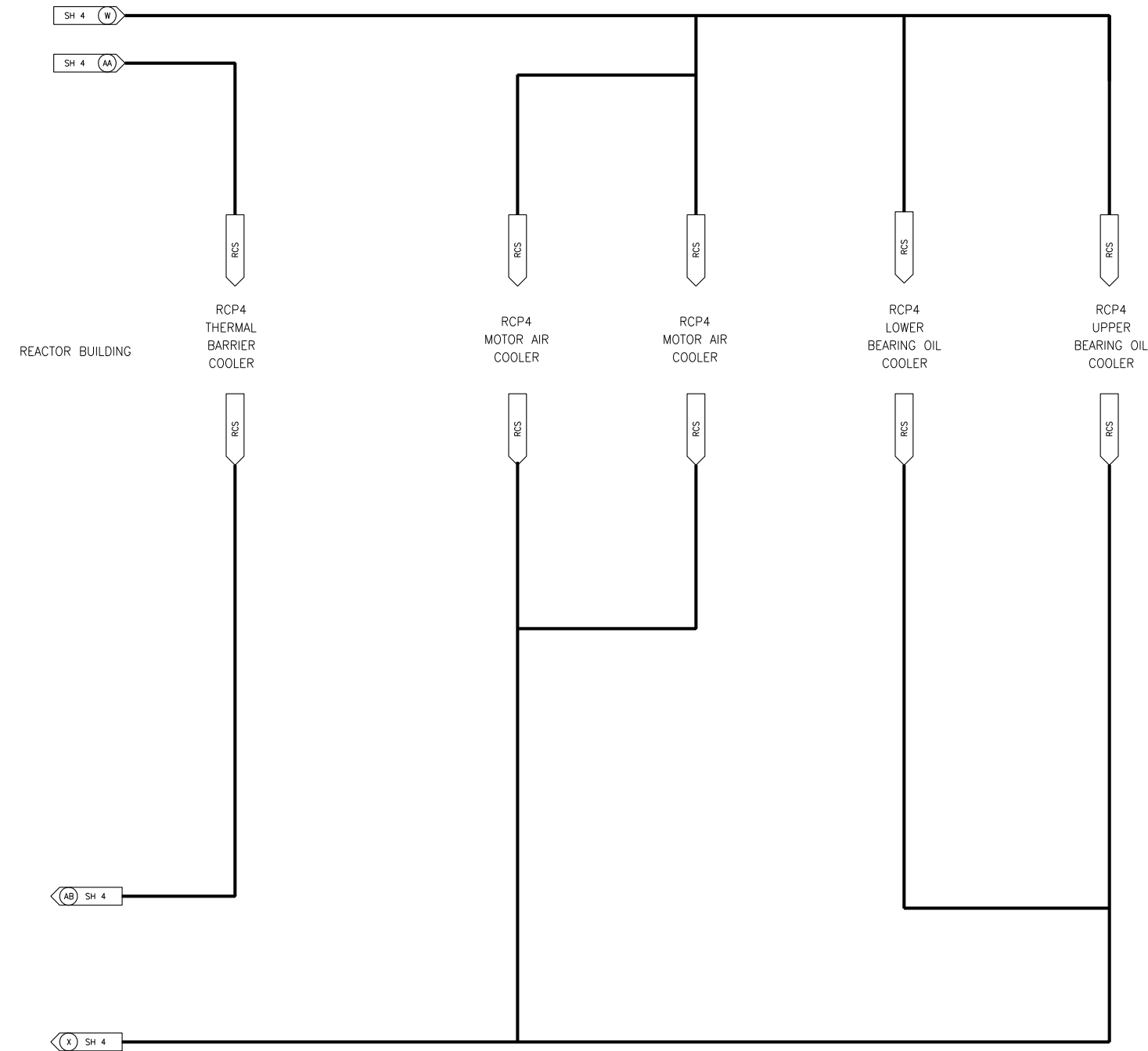
Figure 2.7.1-1—Component Cooling Water System Functional Arrangement  
Sheet 13 of 24



|             |      |                   |
|-------------|------|-------------------|
| I           | III  | I                 |
| DESIGN AREA | ASME | SSC SEISMIC CLASS |

KAB05T1

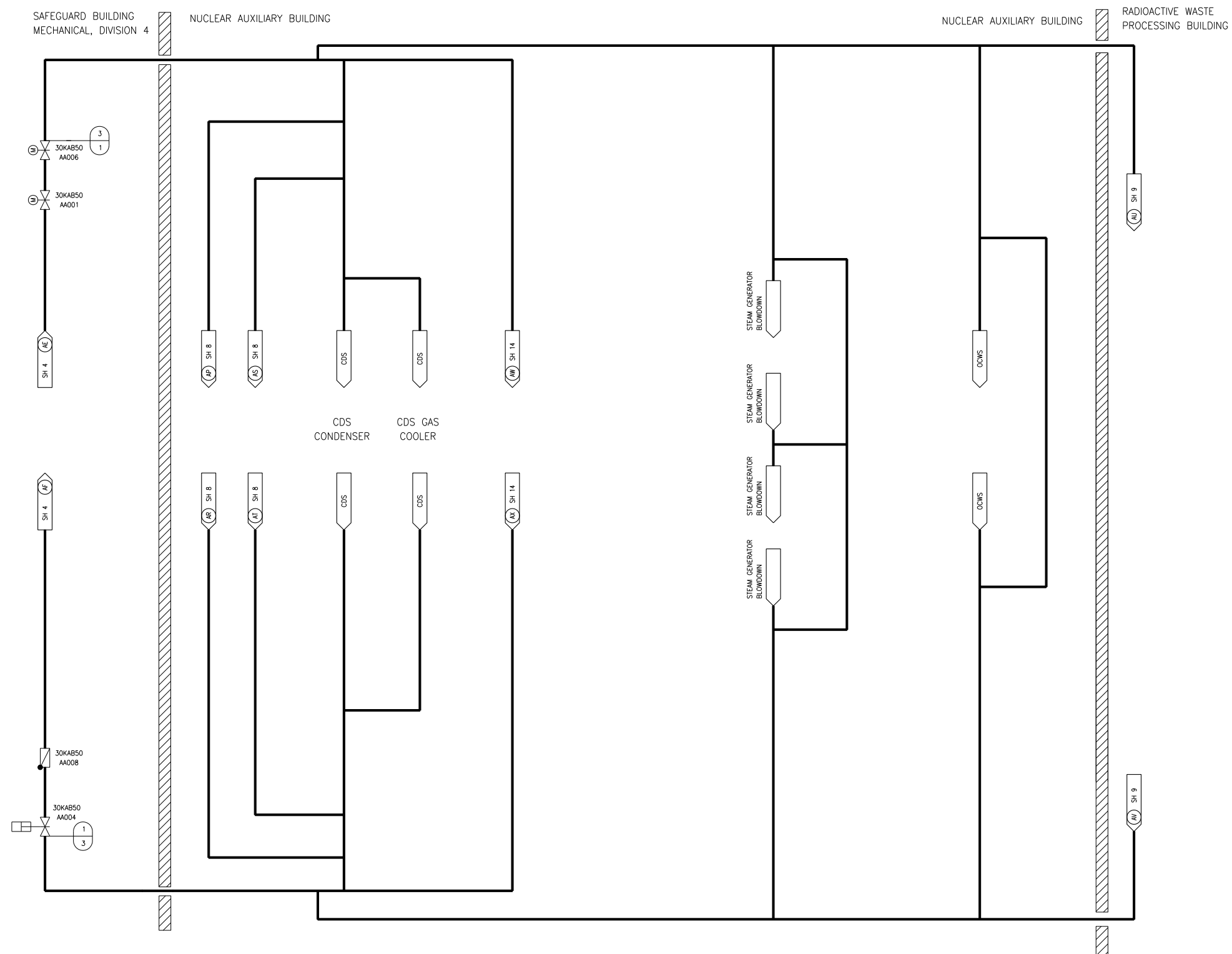
Figure 2.7.1-1—Component Cooling Water System Functional Arrangement  
Sheet 14 of 24



|             |      |                   |
|-------------|------|-------------------|
| I           | III  | I                 |
| DESIGN AREA | ASME | SSC SEISMIC CLASS |

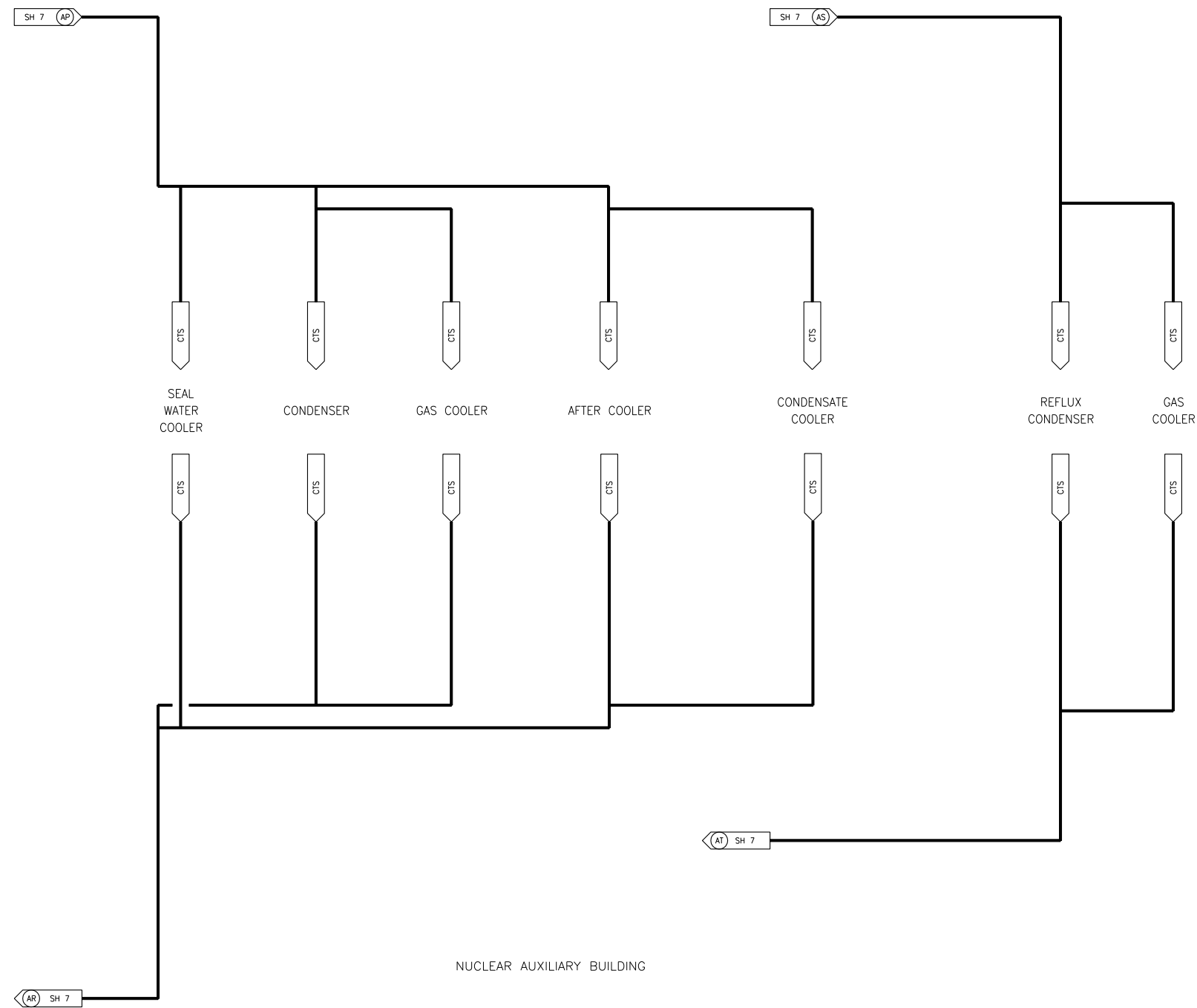
KAB06T1

Figure 2.7.1-1—Component Cooling Water System Functional Arrangement  
Sheet 15 of 24



KAB07T1

Figure 2.7.1-1—Component Cooling Water System Functional Arrangement  
Sheet 16 of 24

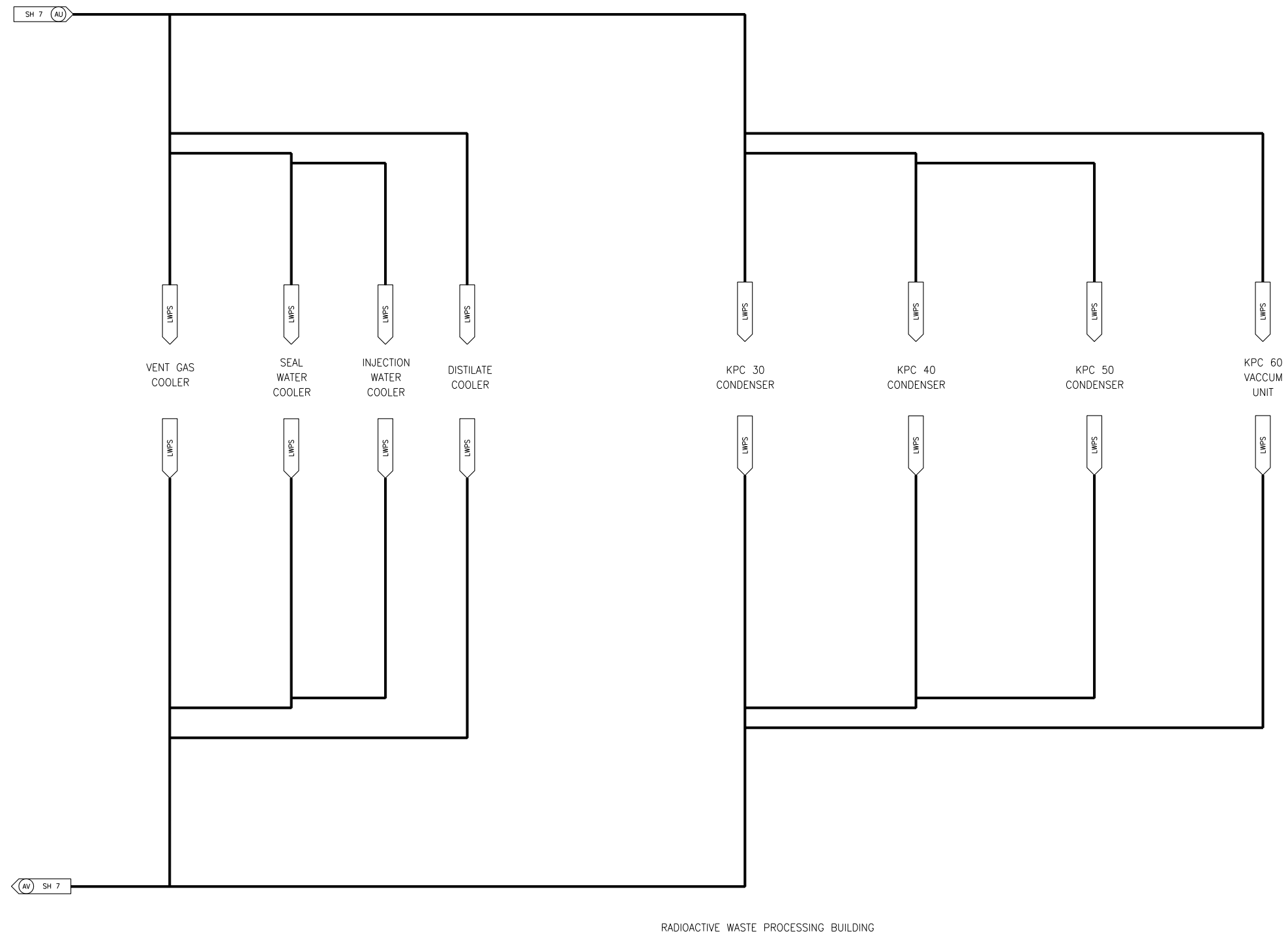


|             |      |                   |
|-------------|------|-------------------|
| 3           | N/A  | N/A               |
| DESIGN AREA | ASME | SSC SEISMIC CLASS |

KAB08T1



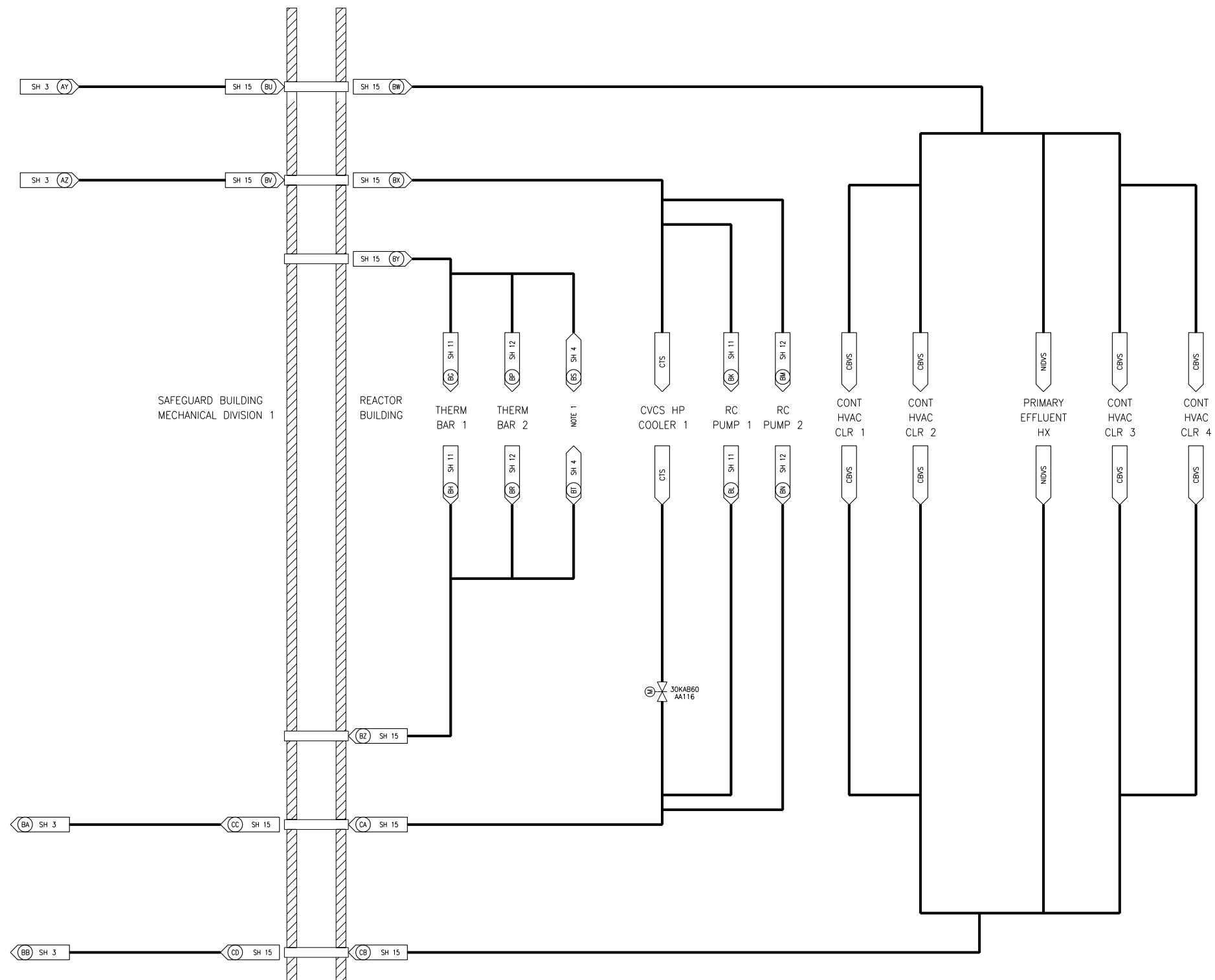
Figure 2.7.1-1—Component Cooling Water System Functional Arrangement  
Sheet 17 of 24



|             |      |                   |
|-------------|------|-------------------|
| 3           | N/A  | N/A               |
| DESIGN AREA | ASME | SSC SEISMIC CLASS |

KAB09T1

Figure 2.7.1-1—Component Cooling Water System Functional Arrangement  
Sheet 18 of 24

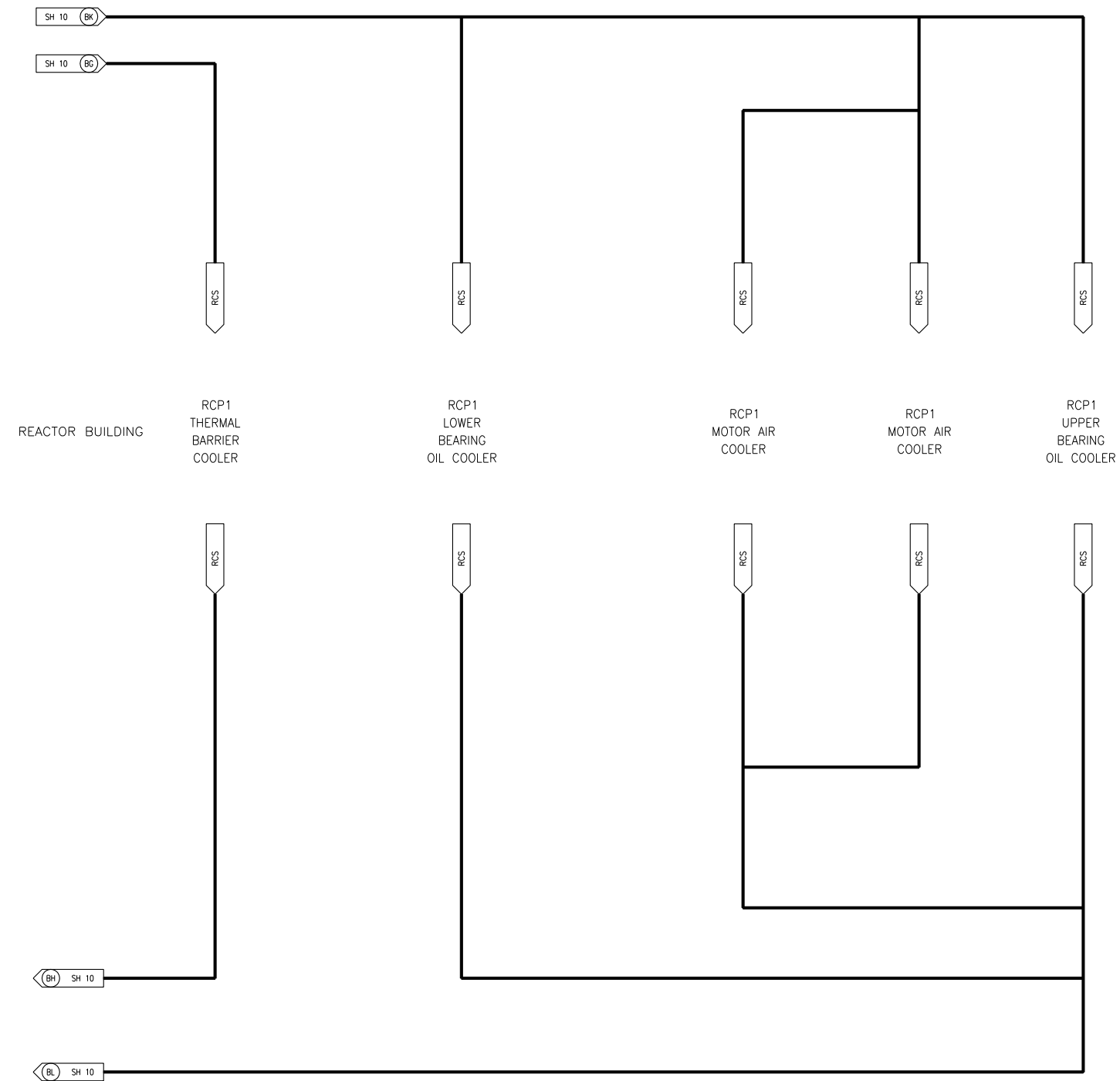


NOTE:  
1. RCP THERMAL BARRIER CROSS TIE.

|             |      |                   |
|-------------|------|-------------------|
| I           | III  | I                 |
| DESIGN AREA | ASME | SSC SEISMIC CLASS |

KAB10T1

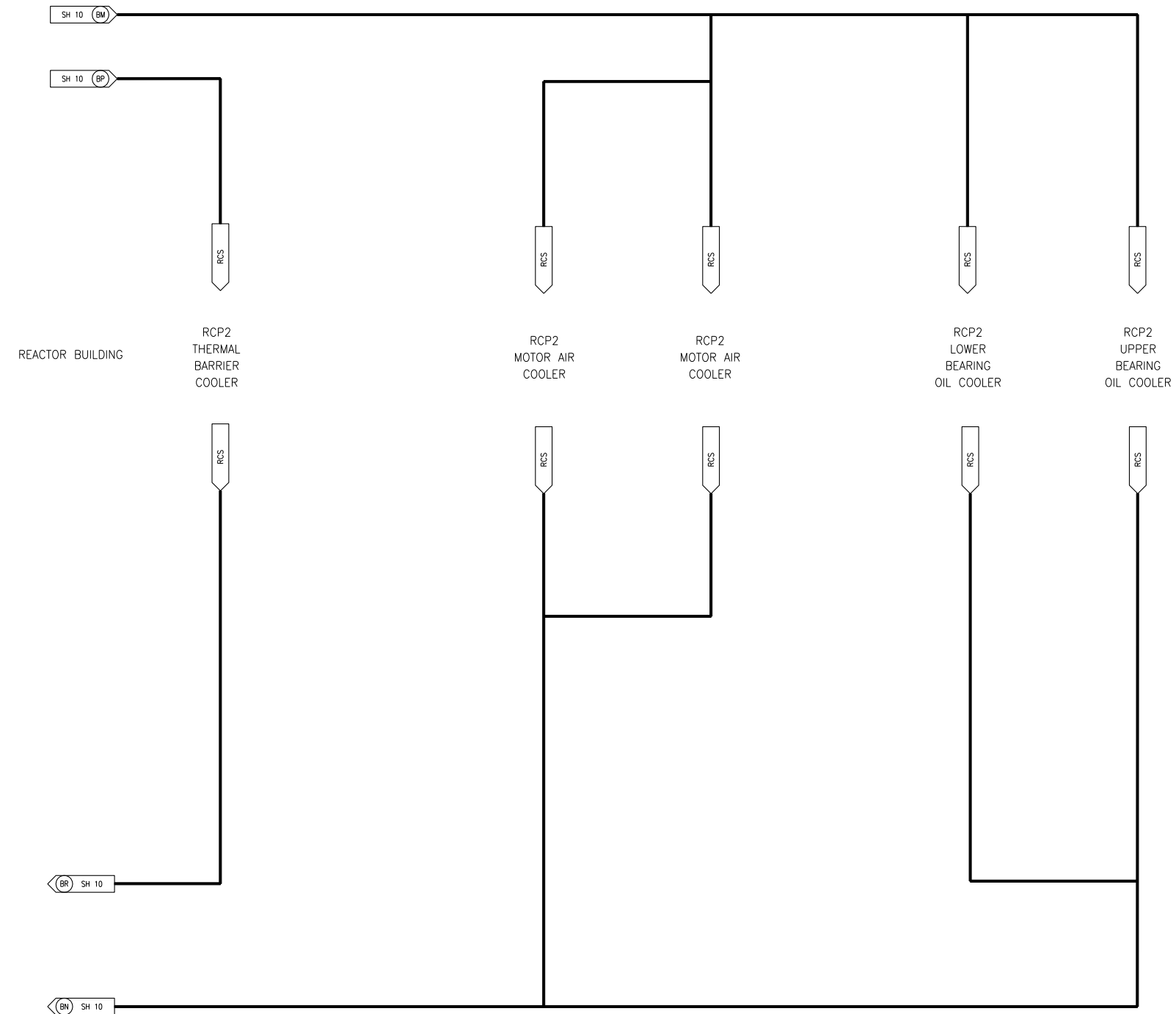
Figure 2.7.1-1—Component Cooling Water System Functional Arrangement  
Sheet 19 of 24



|             |      |                   |
|-------------|------|-------------------|
| I           | III  | I                 |
| DESIGN AREA | ASME | SSC SEISMIC CLASS |

KAB11T1

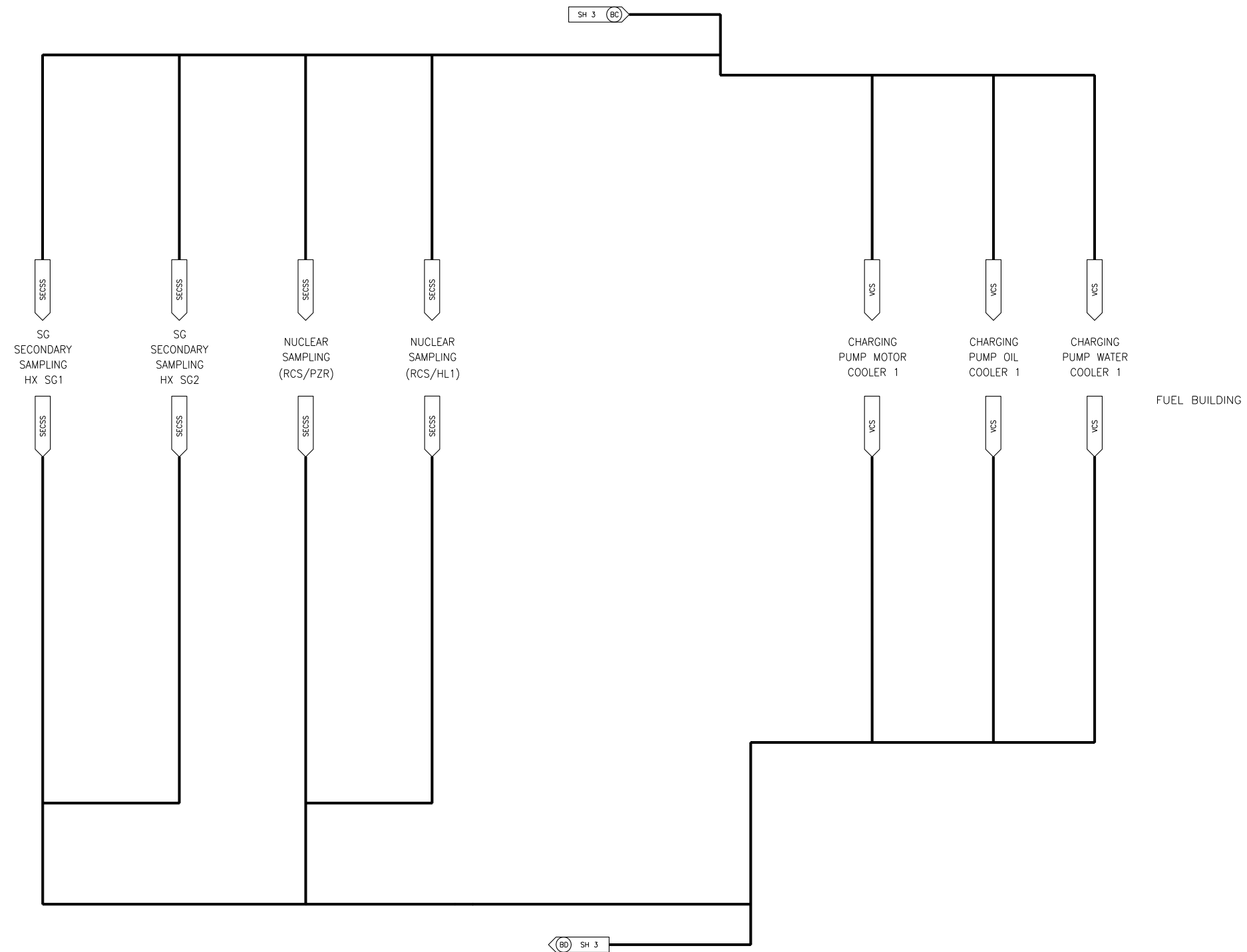
Figure 2.7.1-1—Component Cooling Water System Functional Arrangement  
Sheet 20 of 24



|             |      |                   |
|-------------|------|-------------------|
| I           | III  | I                 |
| DESIGN AREA | ASME | SSC SEISMIC CLASS |

KAB12T1

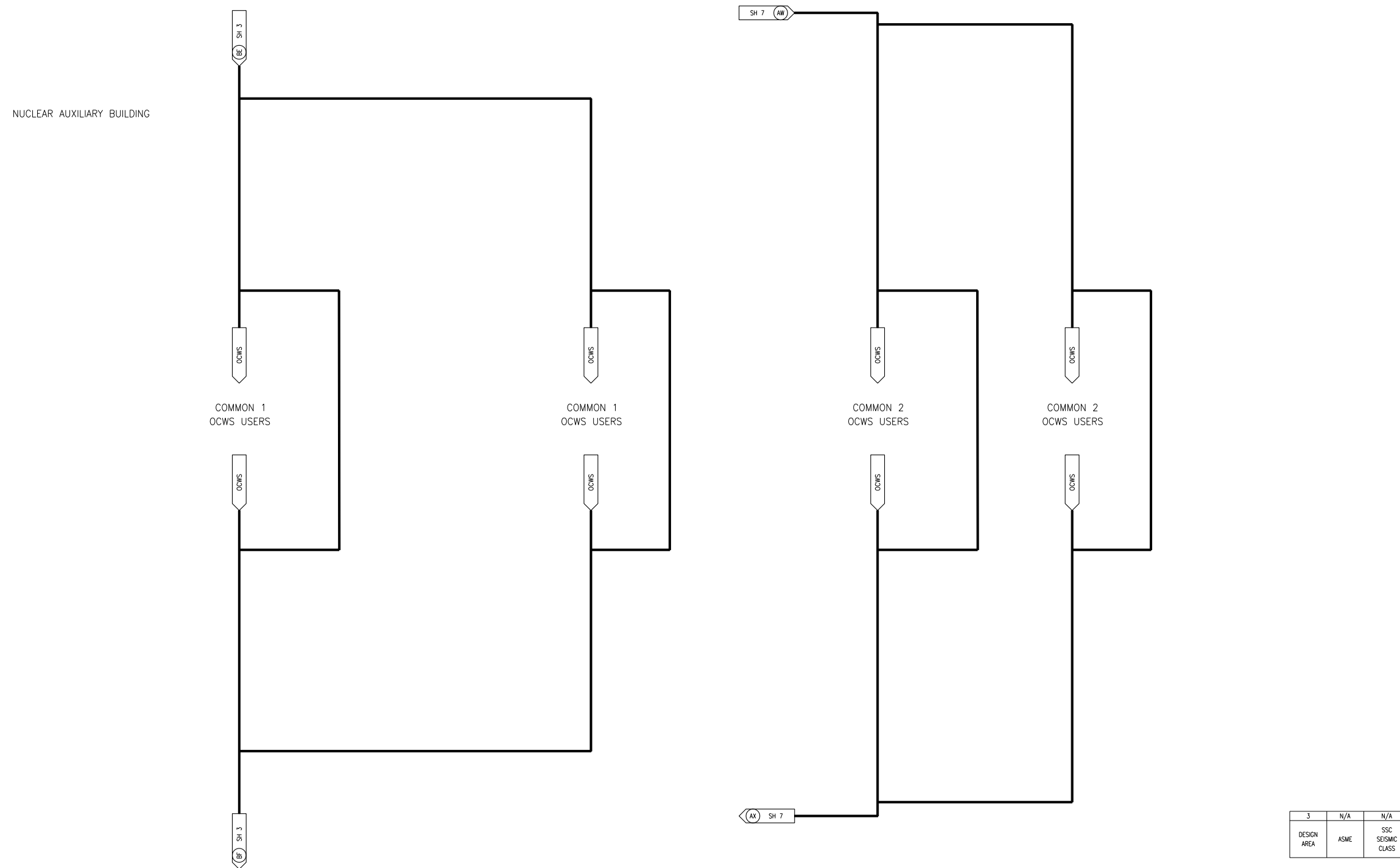
Figure 2.7.1-1—Component Cooling Water System Functional Arrangement  
Sheet 21 of 24



|             |      |                   |
|-------------|------|-------------------|
| I           | III  | I                 |
| DESIGN AREA | ASME | SSC SEISMIC CLASS |

KAB13T1

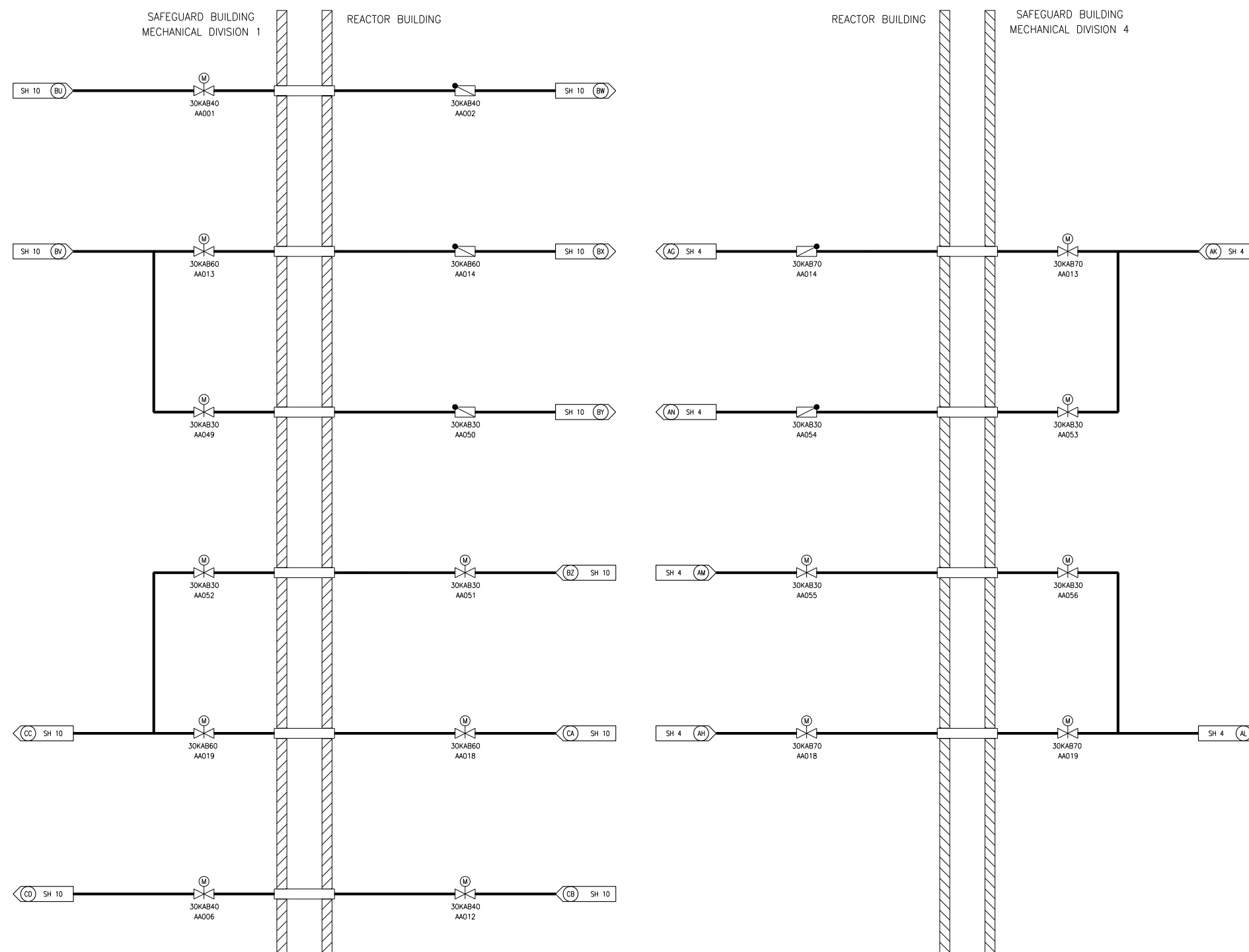
Figure 2.7.1-1—Component Cooling Water System Functional Arrangement  
Sheet 22 of 24



|             |      |                   |
|-------------|------|-------------------|
| 3           | N/A  | N/A               |
| DESIGN AREA | ASME | SSC SEISMIC CLASS |

KAB14T1

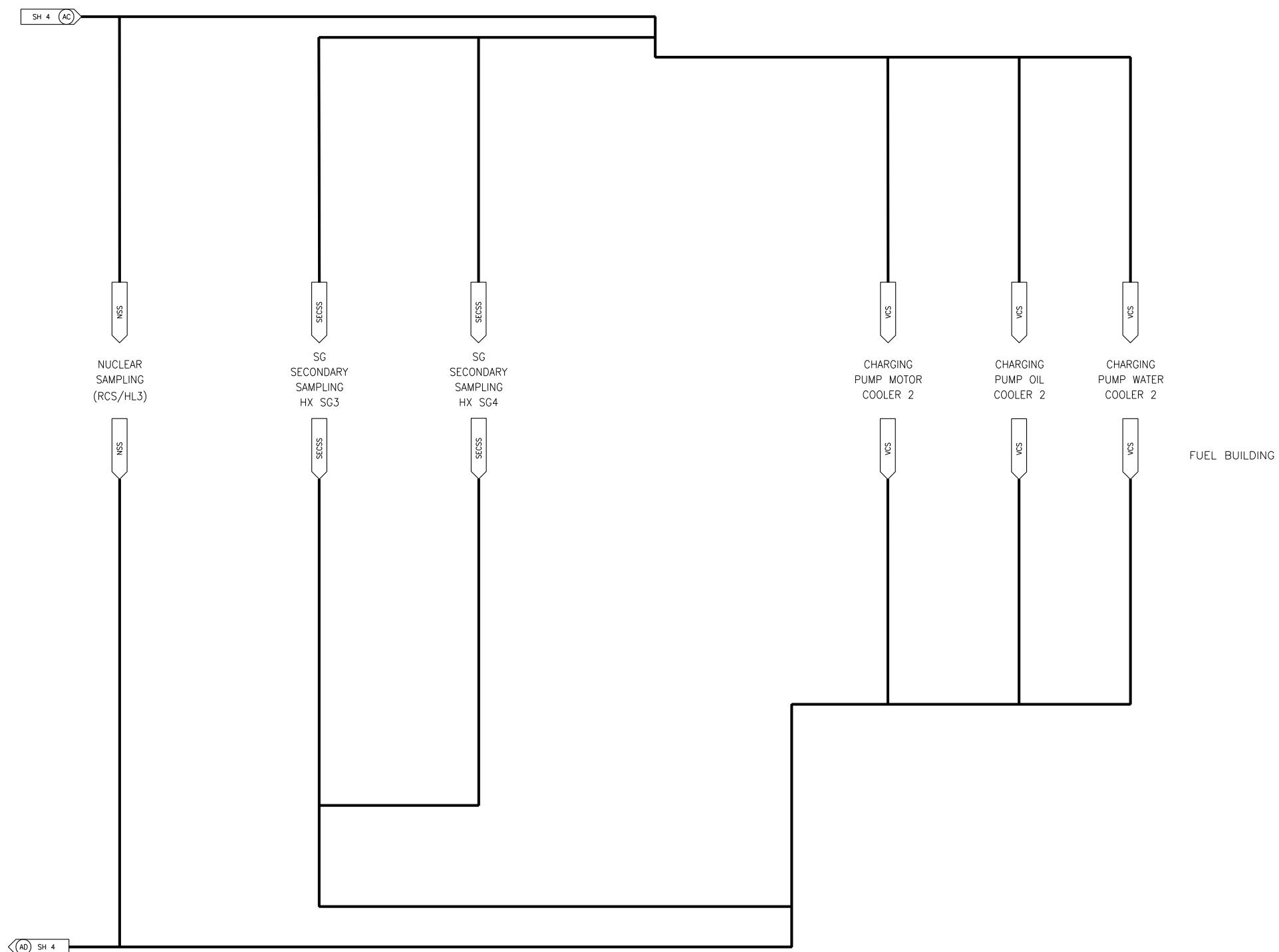
Figure 2.7.1-1—Component Cooling Water System Functional Arrangement  
Sheet 23 of 24



|             |      |                   |
|-------------|------|-------------------|
| I           | III  | I                 |
| DESIGN AREA | ASME | SSC SEISMIC CLASS |

KAB15T1

Figure 2.7.1-1—Component Cooling Water System Functional Arrangement  
Sheet 24 of 24



|             |      |                   |
|-------------|------|-------------------|
| I           | III  | I                 |
| DESIGN AREA | ASME | SSC SEISMIC CLASS |

KAB16T1