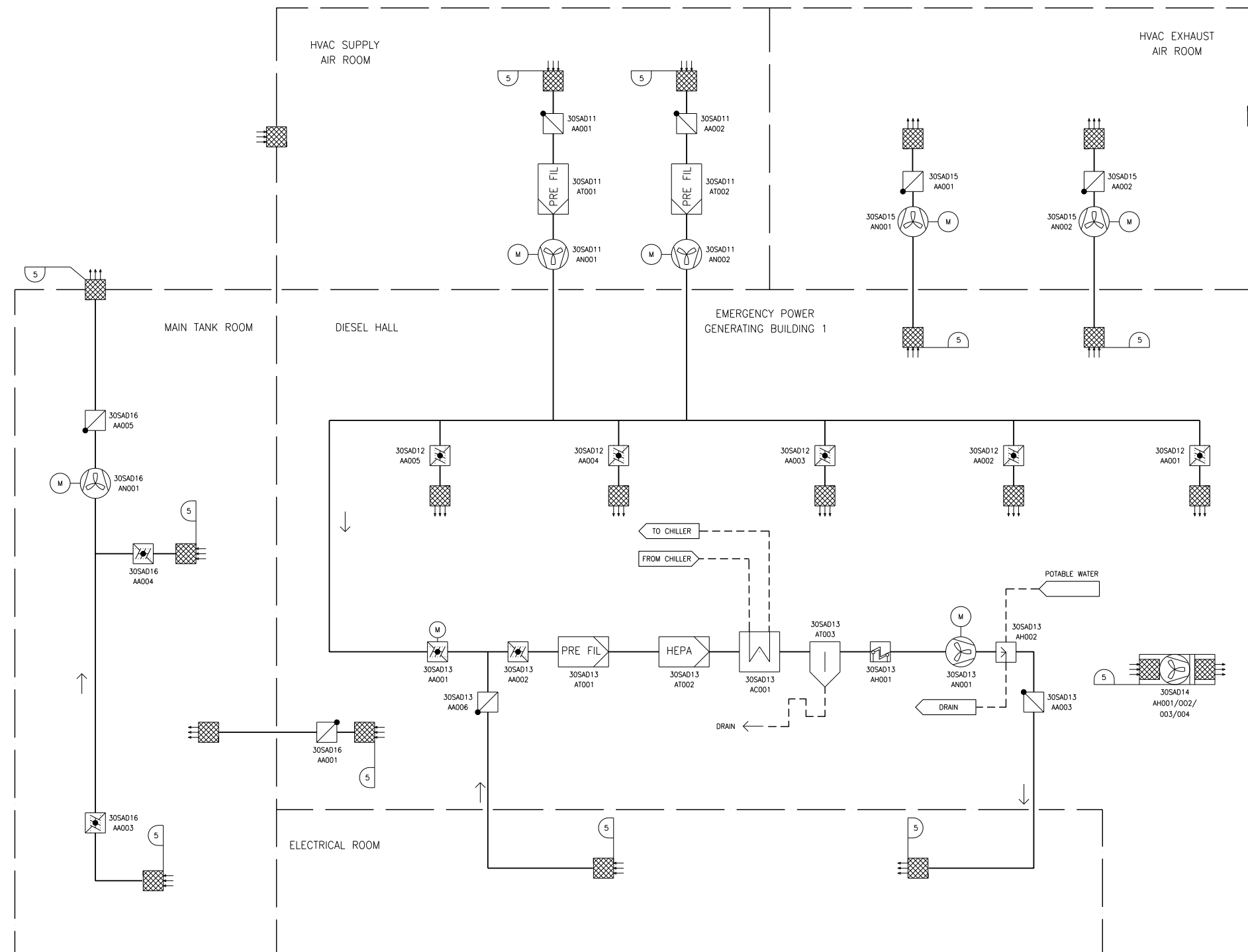


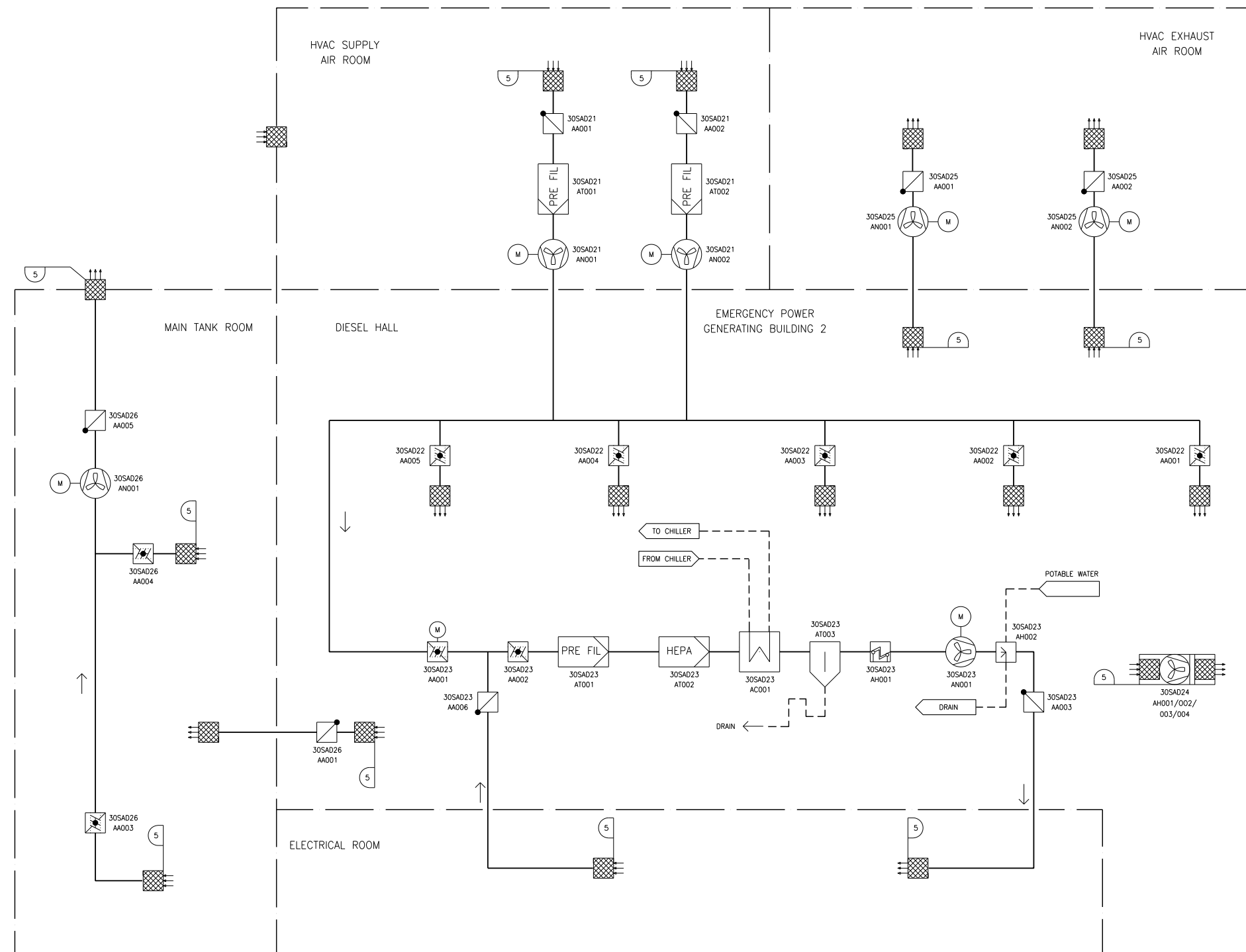
Figure 2.6.9-1—Emergency Power Generating Building Ventilation System Functional Arrangement, Division 1



5	AG-1	I
DESIGN AREA	ASME	SSC SEISMIC CLASS

SAD01T1

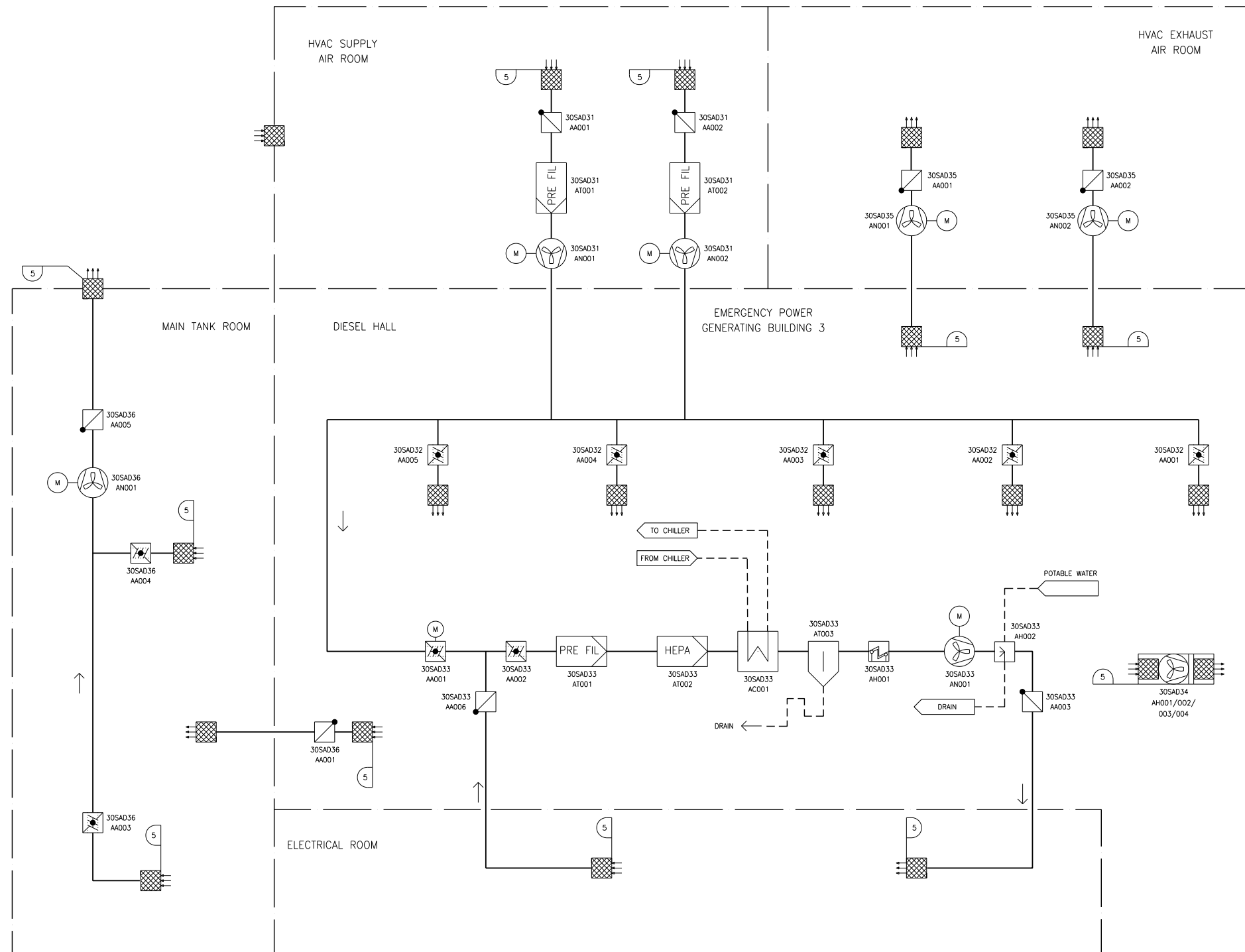
Figure 2.6.9-2—Emergency Power Generating Building Ventilation System Functional Arrangement, Division 2



5	AG-1	I
DESIGN AREA	ASME	SSC SEISMIC CLASS

SAD02T1

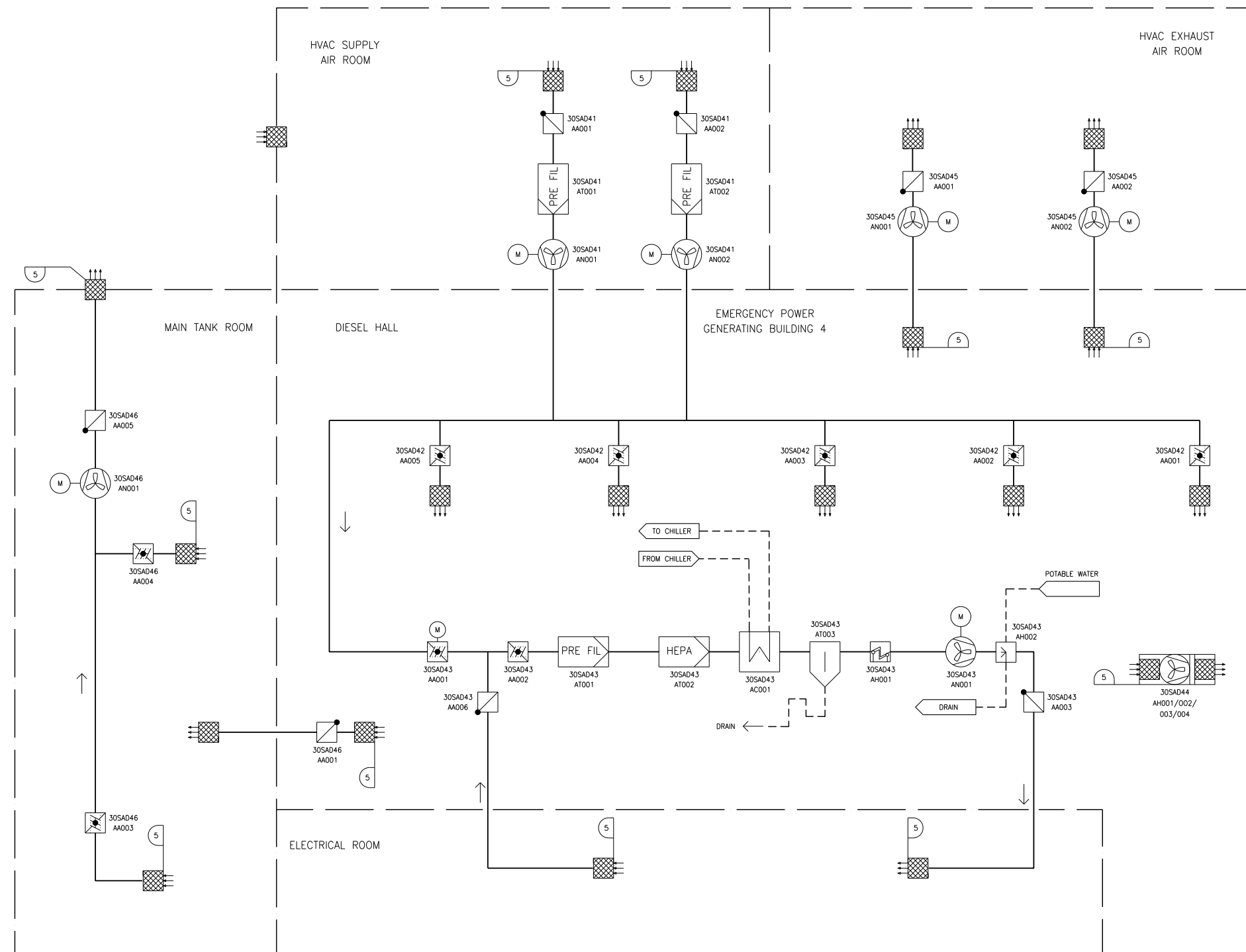
Figure 2.6.9-3—Emergency Power Generating Building Ventilation System Functional Arrangement, Division 3



5	AG-1	I
DESIGN AREA	ASME	SSC SEISMIC CLASS

SAD03T1

Figure 2.6.9-4—Emergency Power Generating Building Ventilation System Functional Arrangement, Division 4



5	AG-1	I
DESIGN AREA	ASME	SSC SEISMIC CLASS

SAD04T1