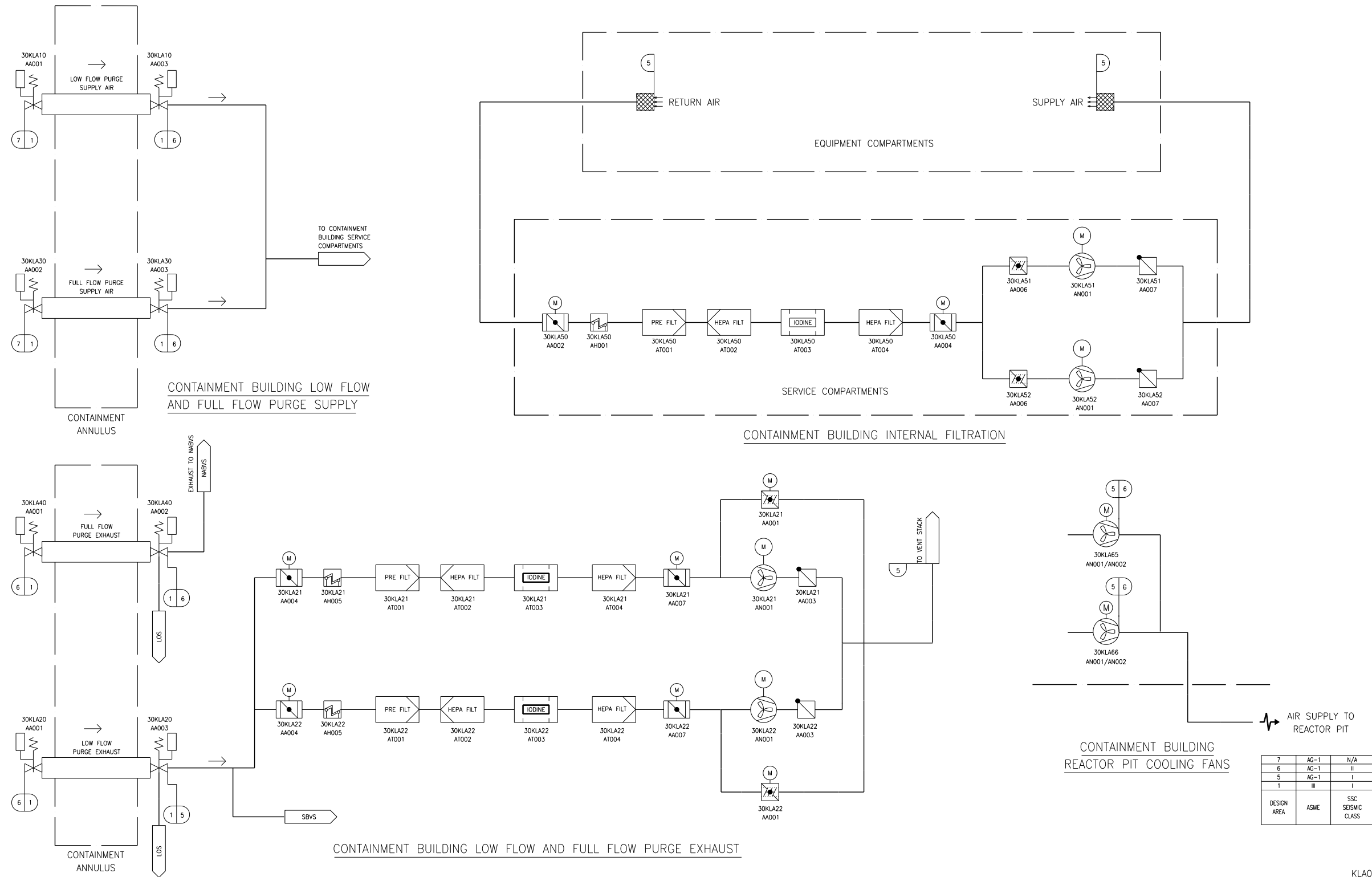


Figure 2.6.8-1—Containment Building Ventilation System Functional Arrangement



KLA01T1