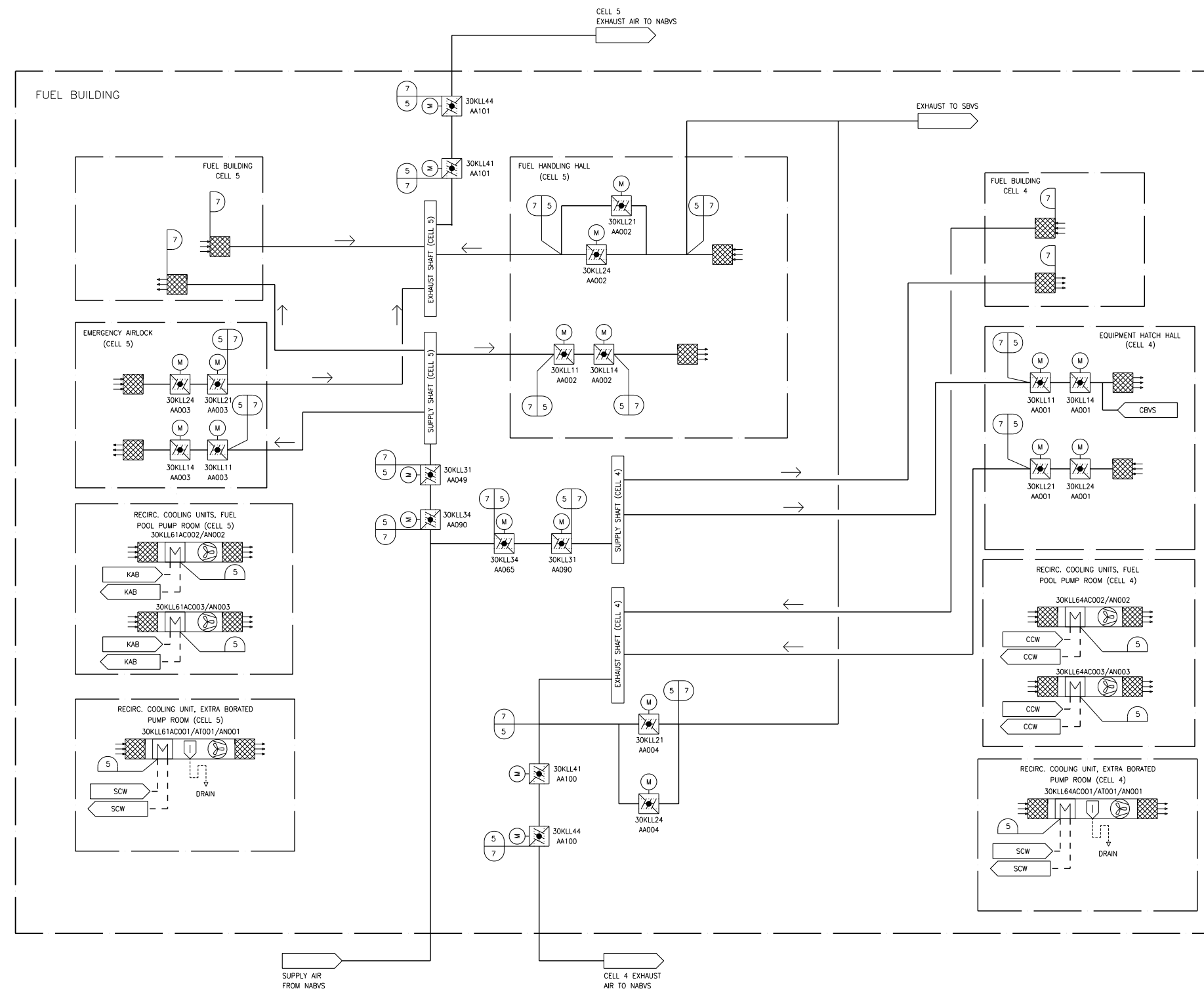


Figure 2.6.4-1—Fuel Building Ventilation System Functional Arrangement



7	AG-1	N/A
5	AG-1	I
DESIGN AREA	ASME	SSC SEISMIC CLASS

KLLO1T1