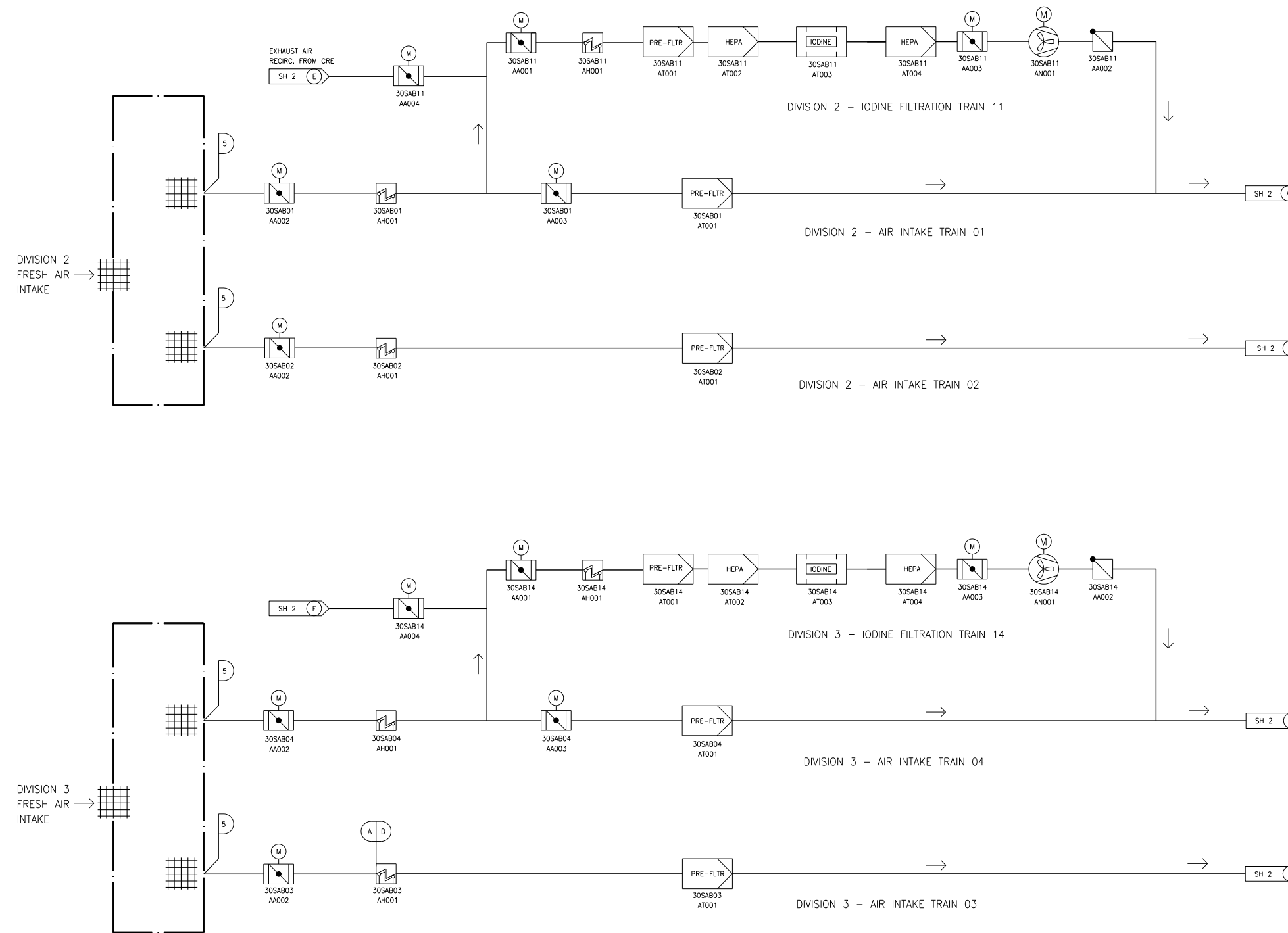


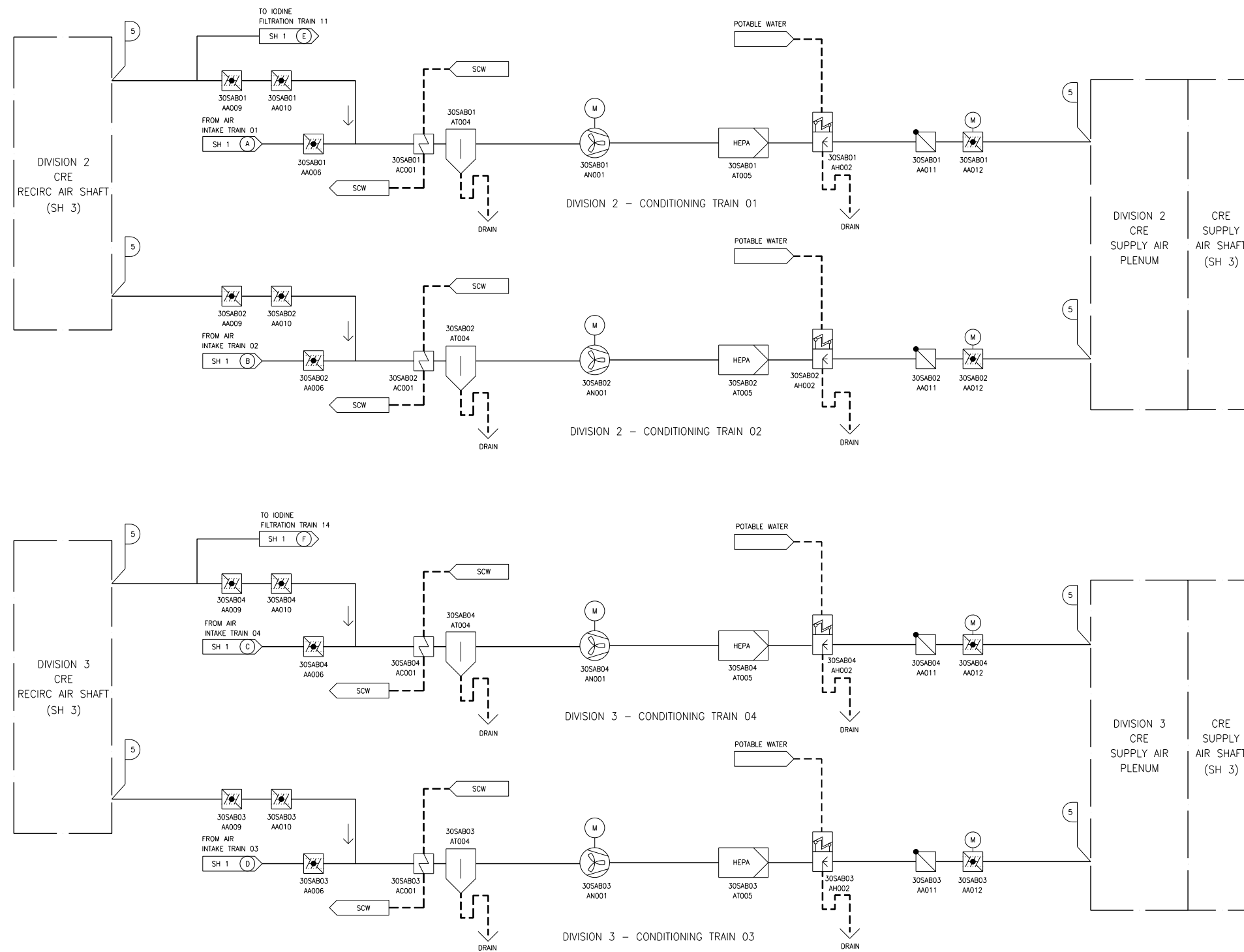
Figure 2.6.1-1—Control Room Air Intake and Iodine Filtration Train Subsystem Functional Arrangement



5	AG-1	I
DESIGN AREA	ASME	SSC SEISMIC CLASS

SAB01T1

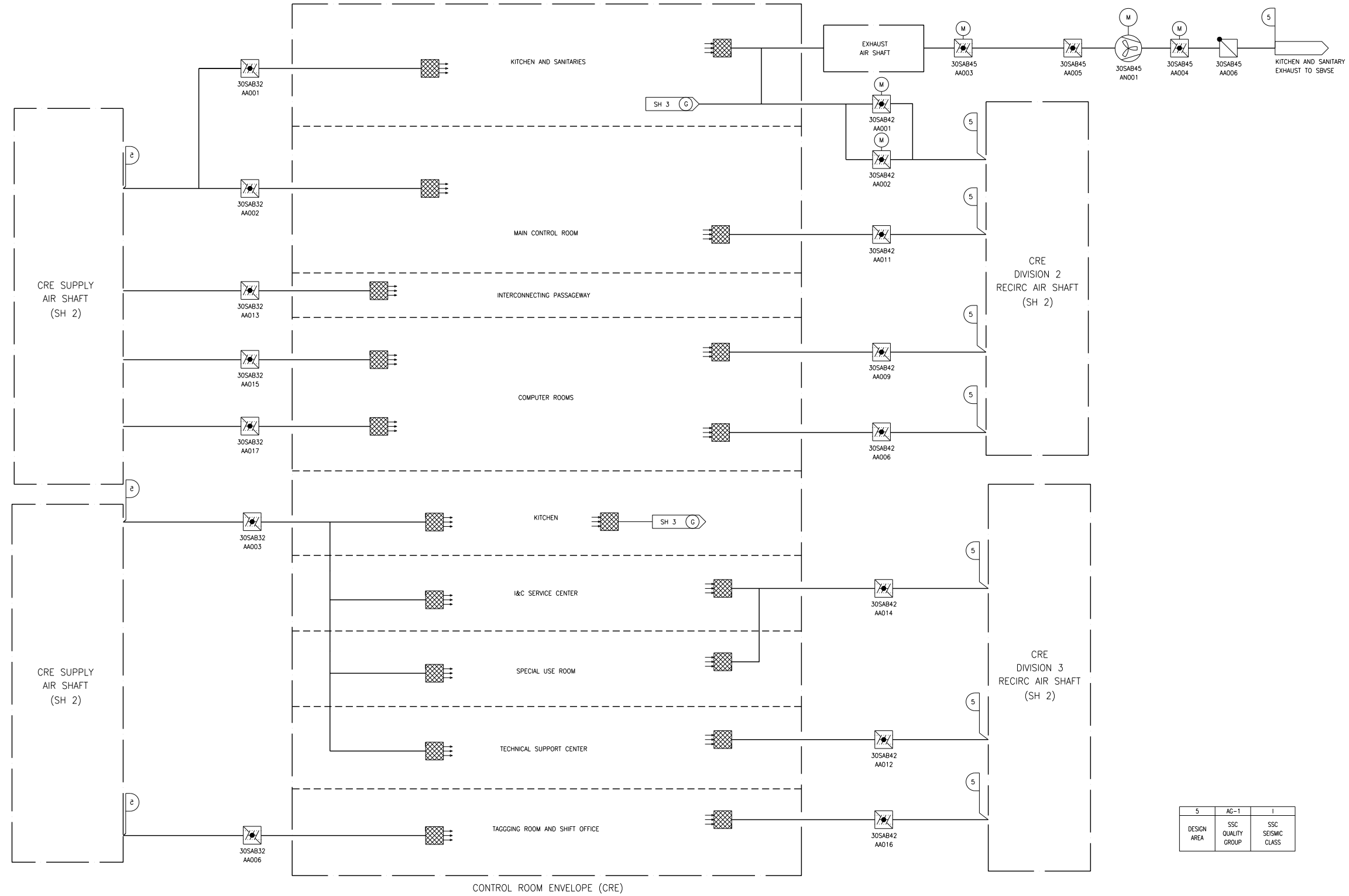
Figure 2.6.1-2—Control Room Air Conditioning and Recirculation Air Subsystem Functional Arrangement



5	AG-1	I
DESIGN AREA	ASME	SSC SEISMIC CLASS

SAB02T1

Figure 2.6.1-3—CRE Air Supply and Recirculation Air Subsystem Functional Arrangement



SAB03T1