

Figure 2.5.10-1—Normal Power Supply System Functional Arrangement  
Sheet 1 of 4

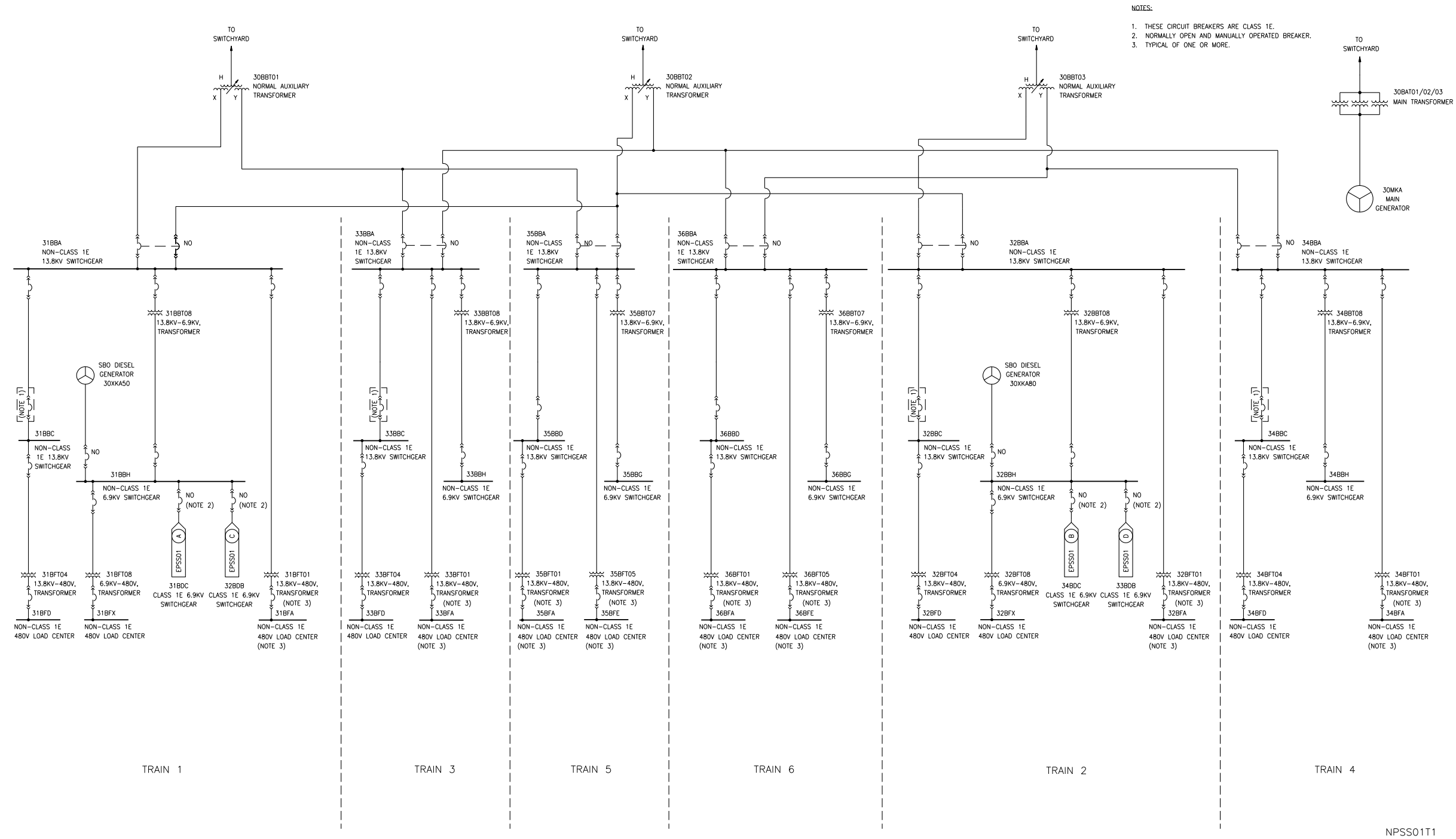
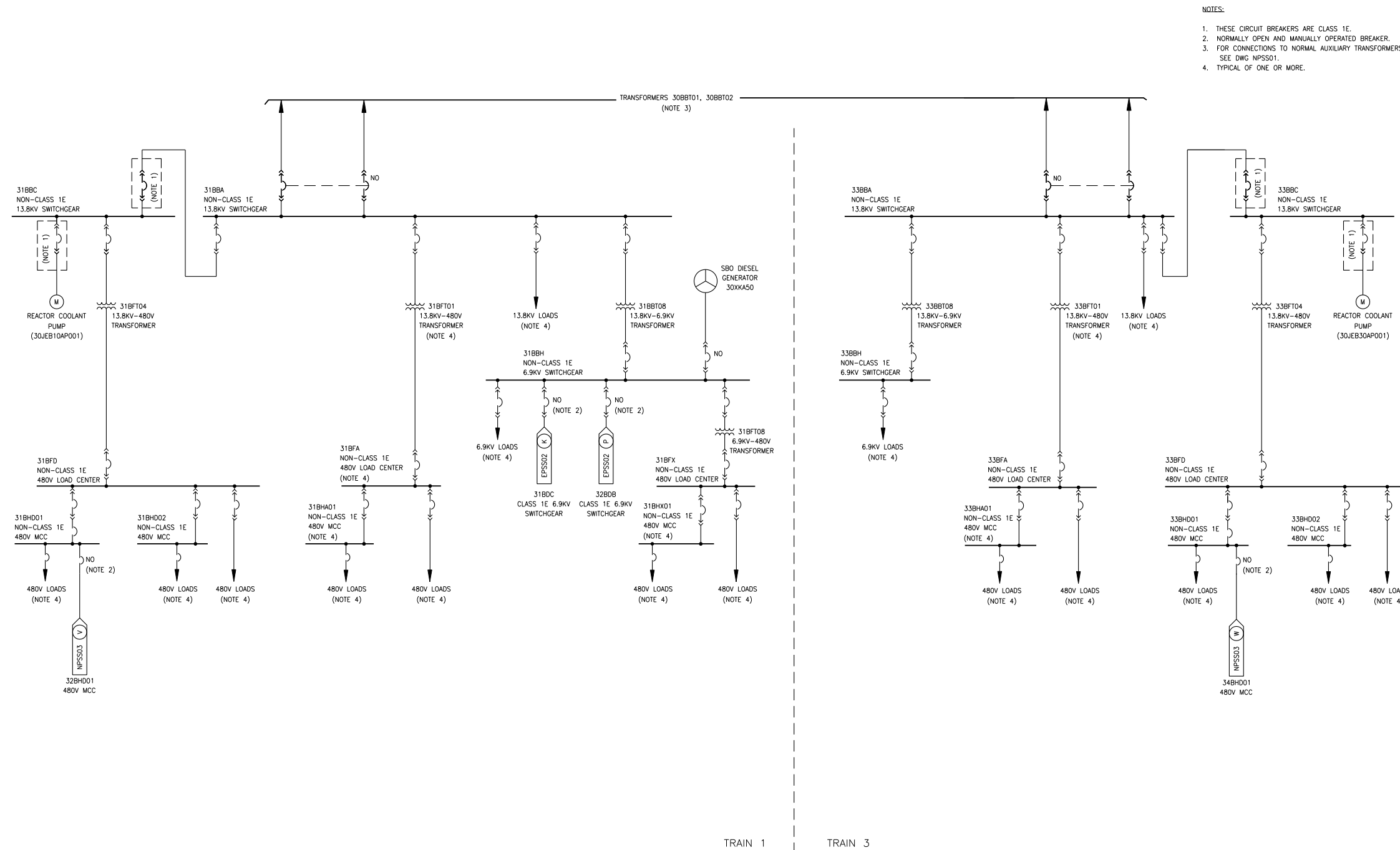


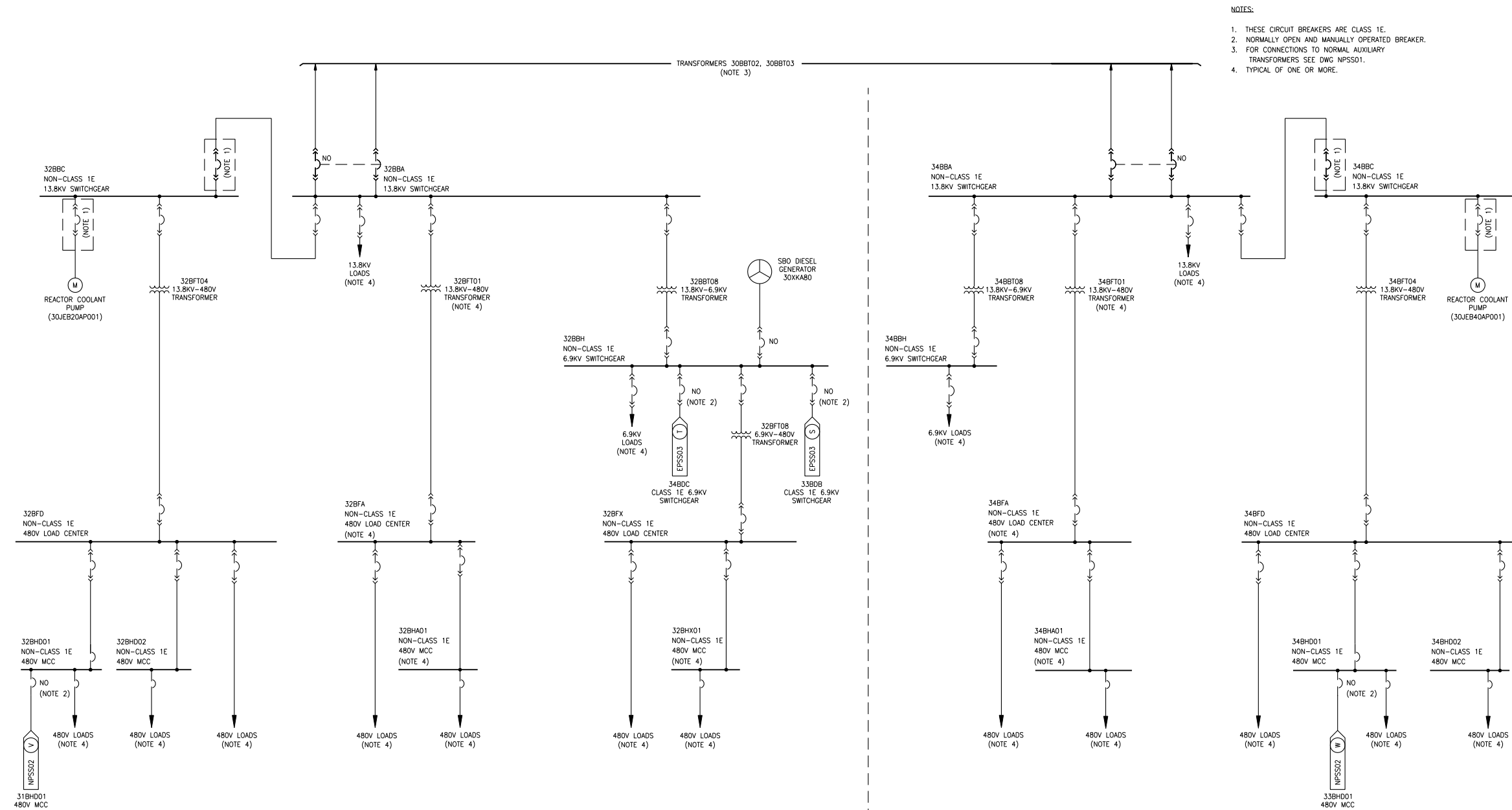
Figure 2.5.10-1—Normal Power Supply System Functional Arrangement  
Sheet 2 of 4



- NOTES:
1. THESE CIRCUIT BREAKERS ARE CLASS 1E.
  2. NORMALLY OPEN AND MANUALLY OPERATED BREAKER.
  3. FOR CONNECTIONS TO NORMAL AUXILIARY TRANSFORMERS SEE DWG NPSS01.
  4. TYPICAL OF ONE OR MORE.

NPSS02T1

Figure 2.5.10-1—Normal Power Supply System Functional Arrangement  
Sheet 3 of 4



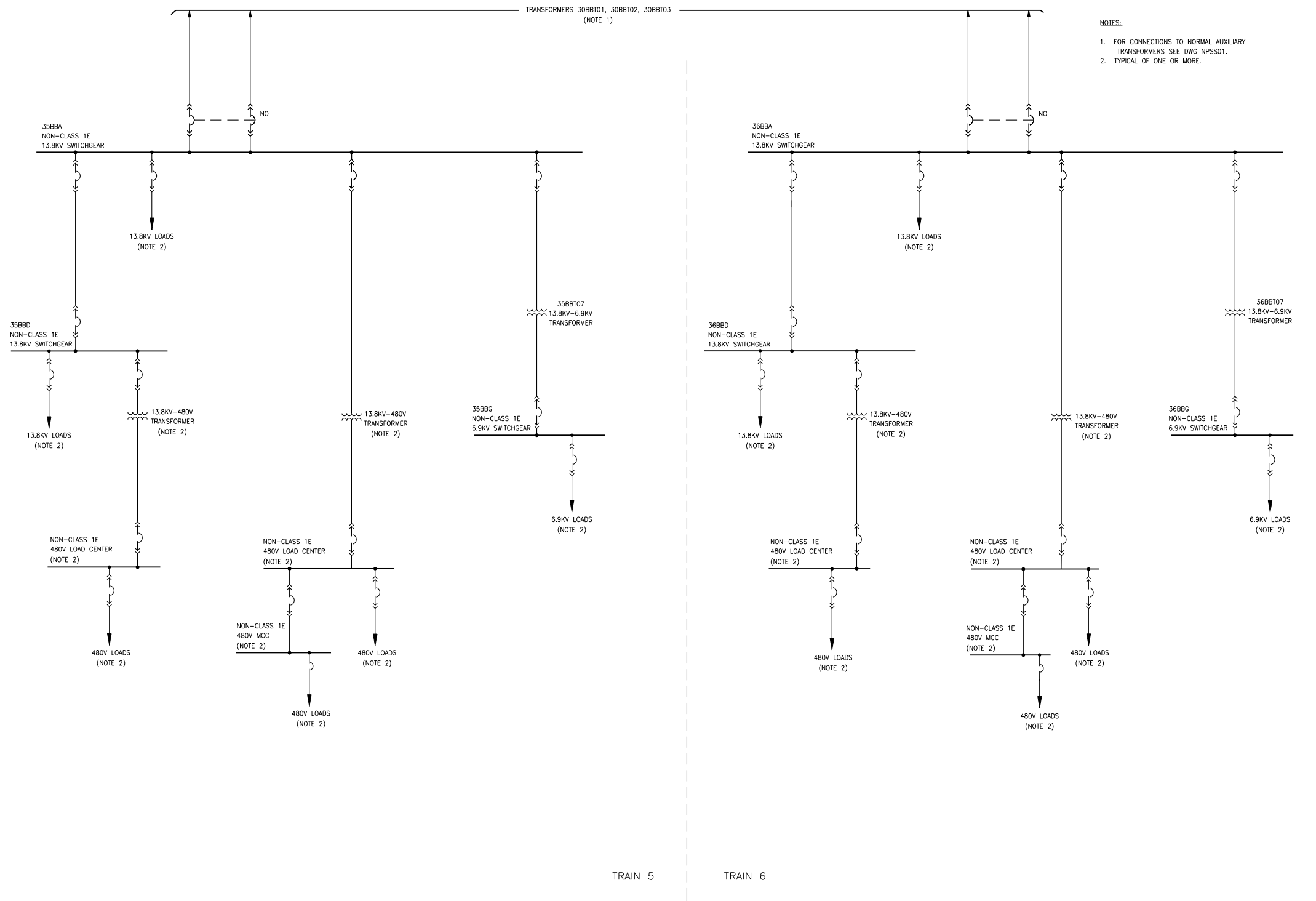
- NOTES:
1. THESE CIRCUIT BREAKERS ARE CLASS 1E.
  2. NORMALLY OPEN AND MANUALLY OPERATED BREAKER.
  3. FOR CONNECTIONS TO NORMAL AUXILIARY TRANSFORMERS SEE DWG NPSS01.
  4. TYPICAL OF ONE OR MORE.

TRAIN 2

TRAIN 4

NPSS03T1

Figure 2.5.10-1—Normal Power Supply System Functional Arrangement  
Sheet 4 of 4



NPSS04 T1