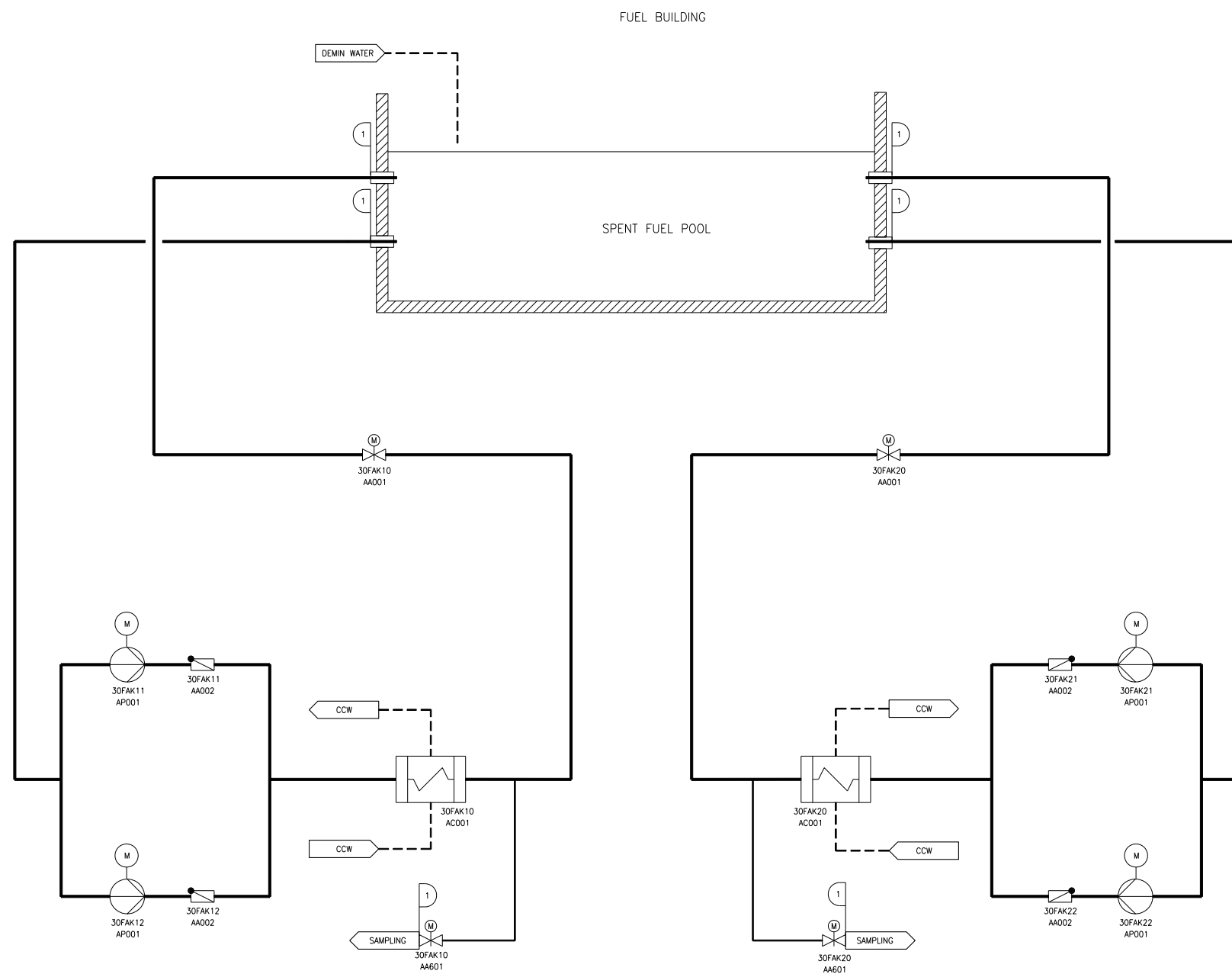


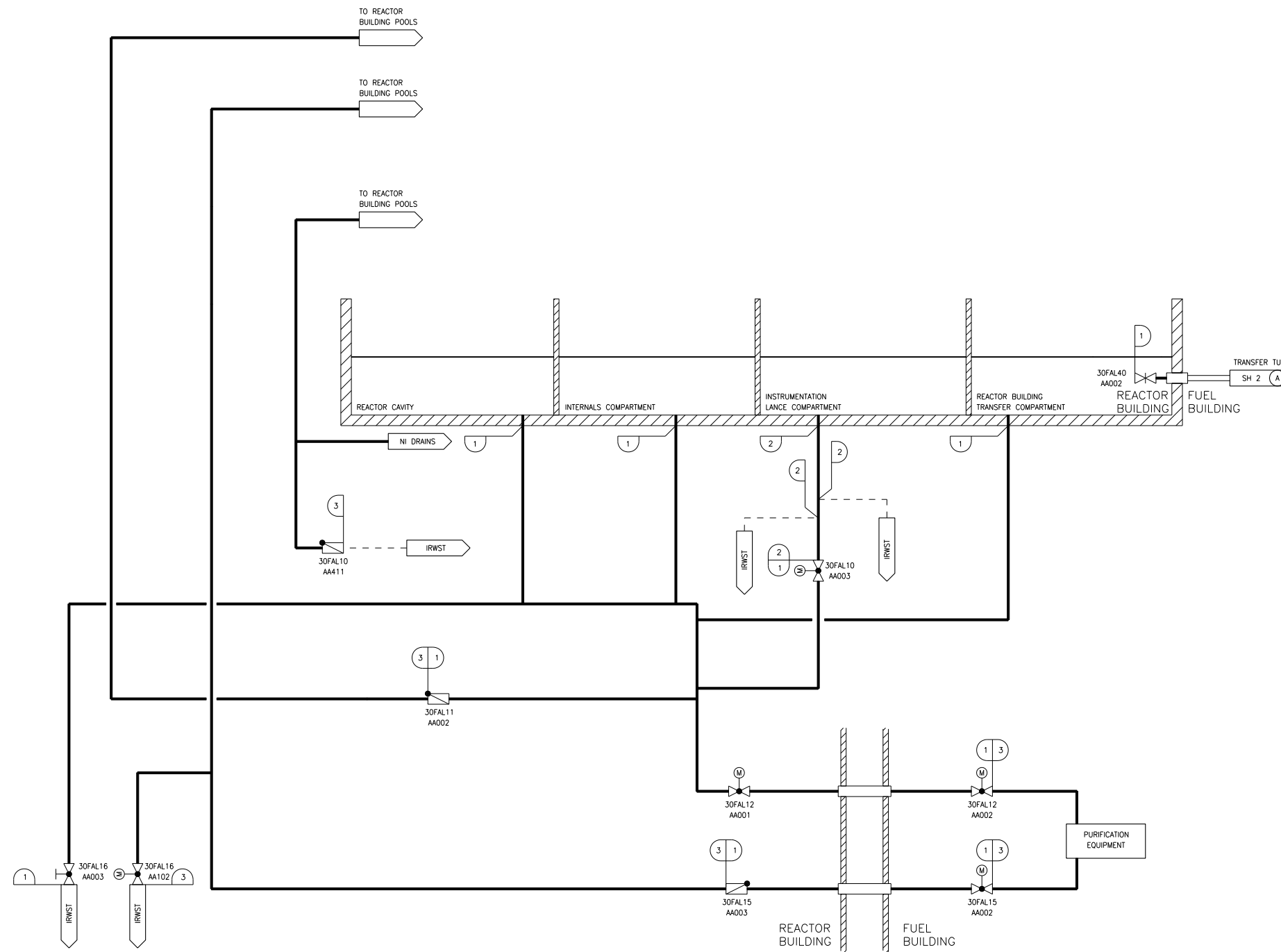
Figure 2.2.5-1—Fuel Pool Cooling and Purification System Functional Arrangement
Sheet 1 of 3



I	III	I
DESIGN AREA	ASME	SSC SEISMIC CLASS

FAK01T1

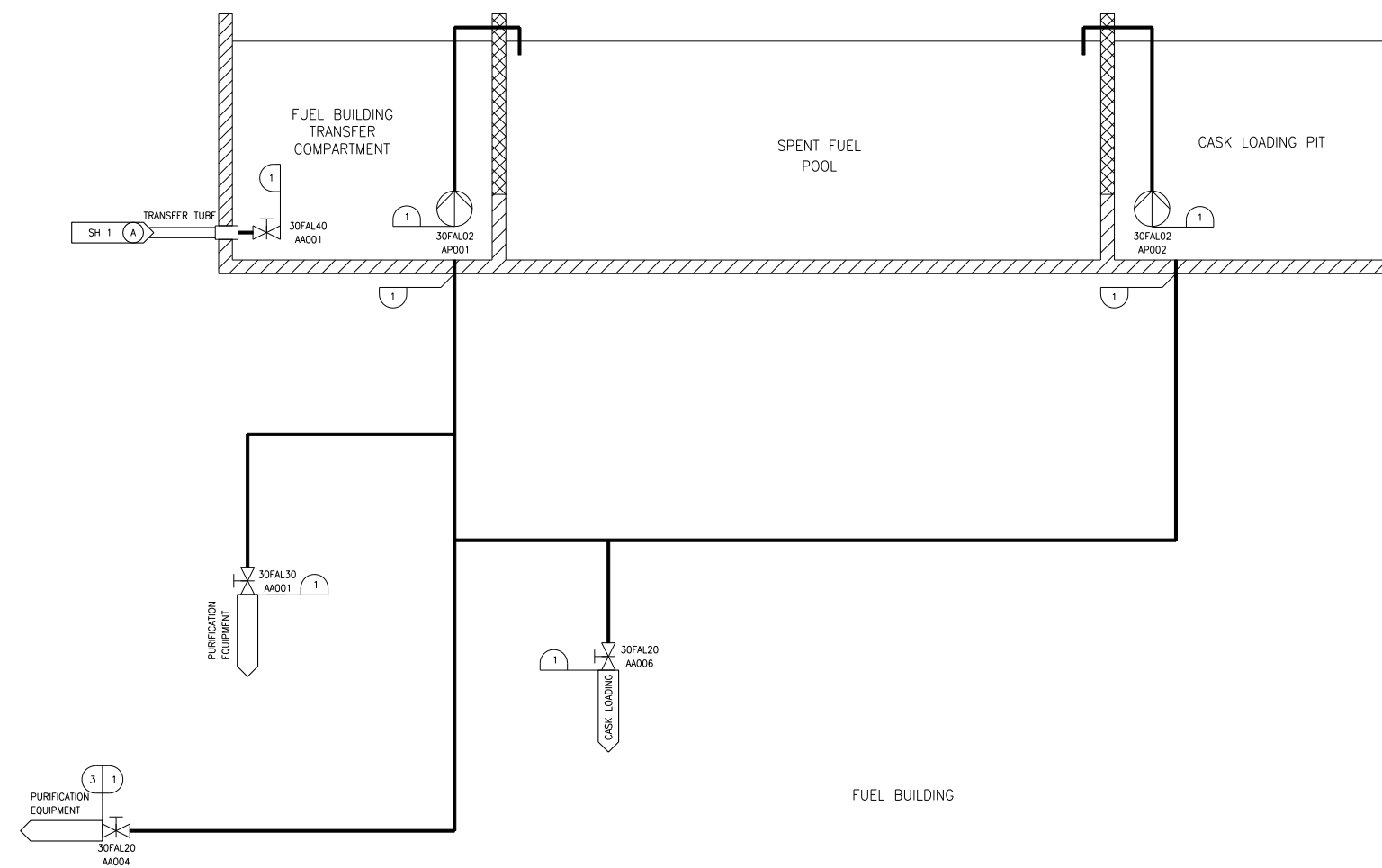
Figure 2.2.5-1—Fuel Pool Cooling and Purification System Functional Arrangement
Sheet 2 of 3



3	N/A	N/A
2	N/A	II
1	III	I
DESIGN AREA	ASME	SSC SEISMIC CLASS

FALO1T1

Figure 2.2.5-1—Fuel Pool Cooling and Purification System Functional Arrangement
Sheet 3 of 3



3	N/A	N/A
1	III	I
DESIGN AREA	ASME	SSC SEISMIC CLASS

FAL02T1