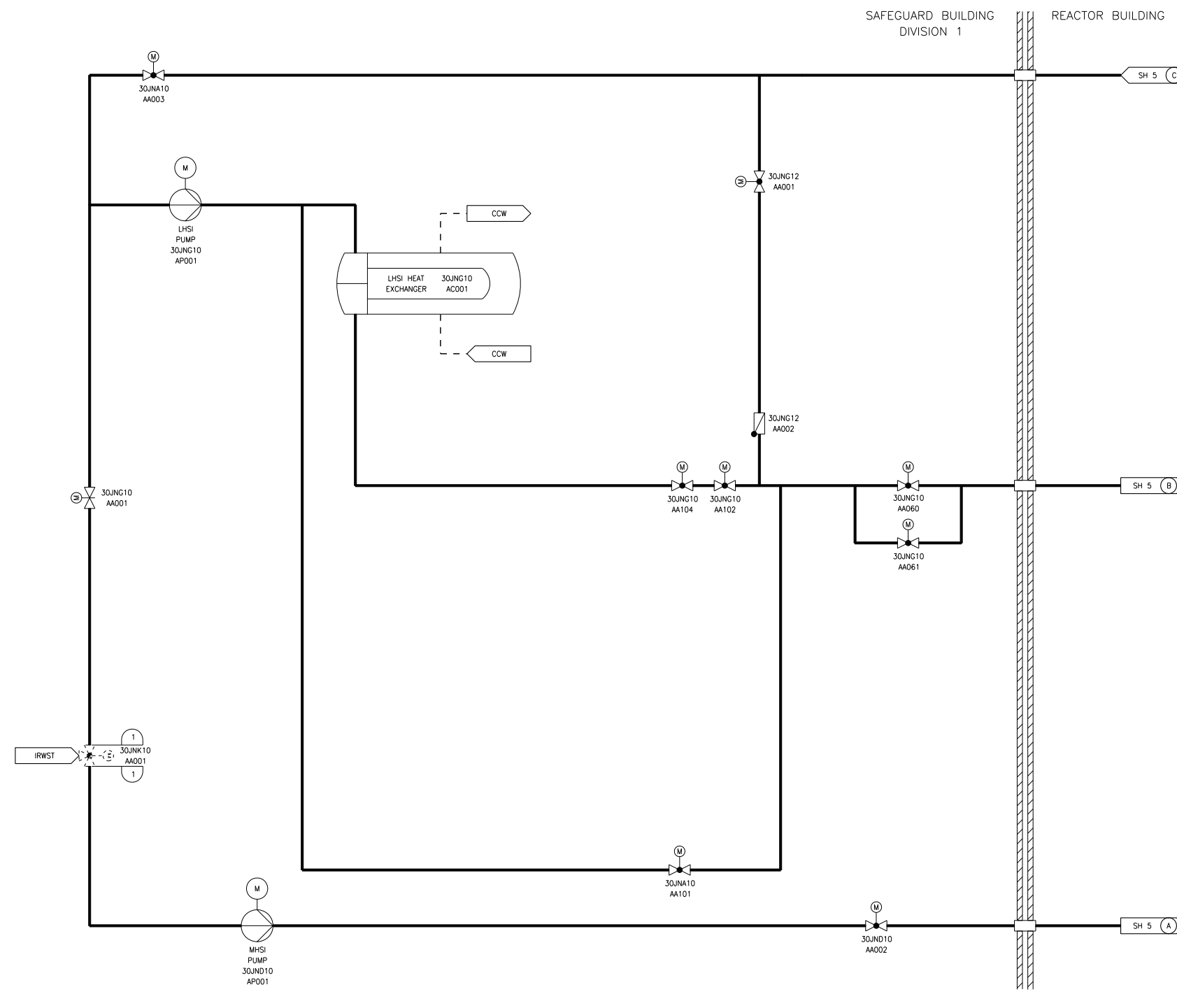


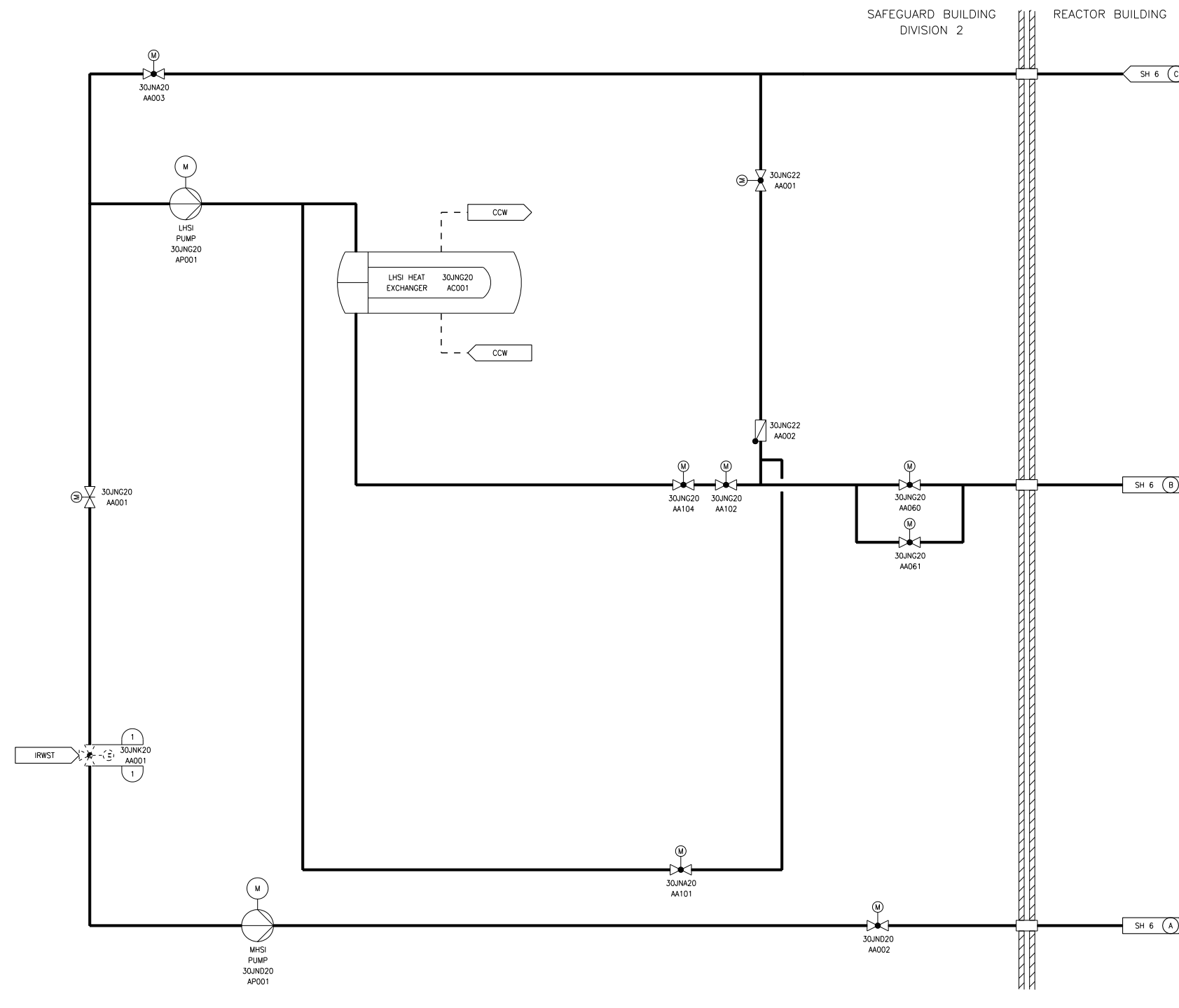
Figure 2.2.3-1—Safety Injection System and Residual Heat Removal System Functional Arrangement  
Sheet 1 of 8



I	III	I
DESIGN AREA	ASME	SSC SEISMIC CLASS

JNX01T1

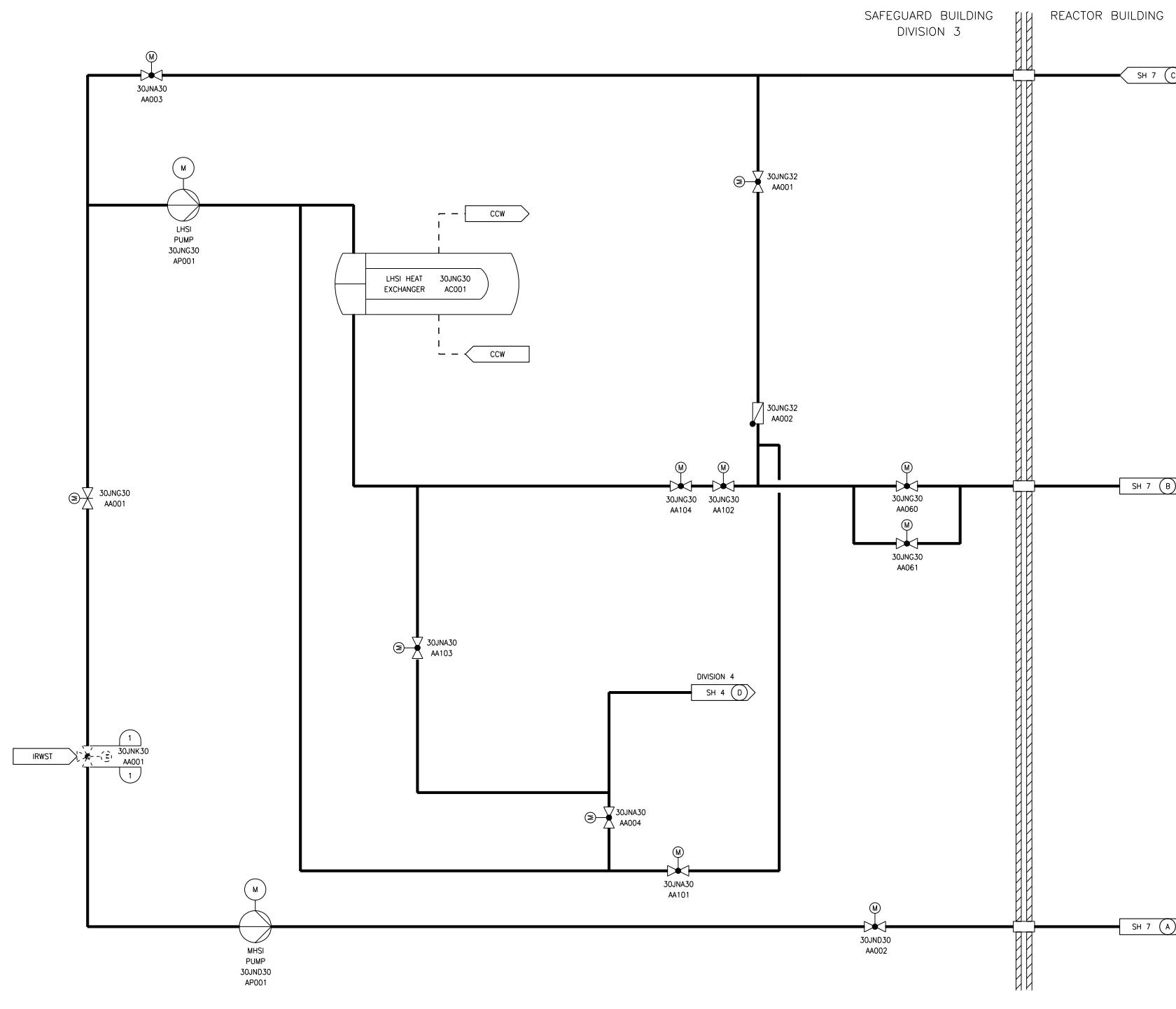
Figure 2.2.3-1—Safety Injection System and Residual Heat Removal System Functional Arrangement  
Sheet 2 of 8



I	III	I
DESIGN AREA	ASME	SSC SEISMIC CLASS

JNX02T1

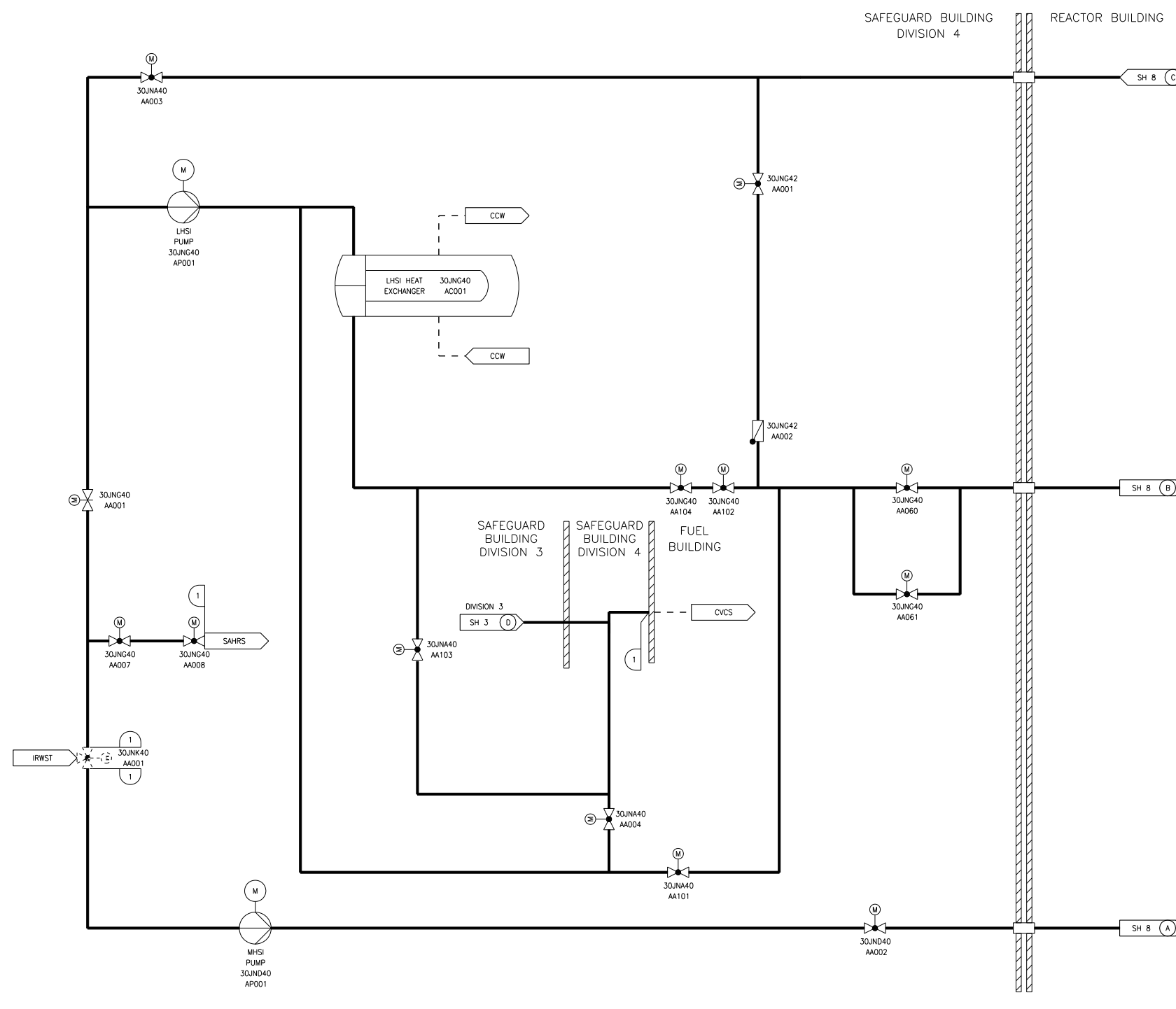
Figure 2.2.3-1—Safety Injection System and Residual Heat Removal System Functional Arrangement  
Sheet 3 of 8



I	III	I
DESIGN AREA	ASME	SSC SEISMIC CLASS

JNX03T1

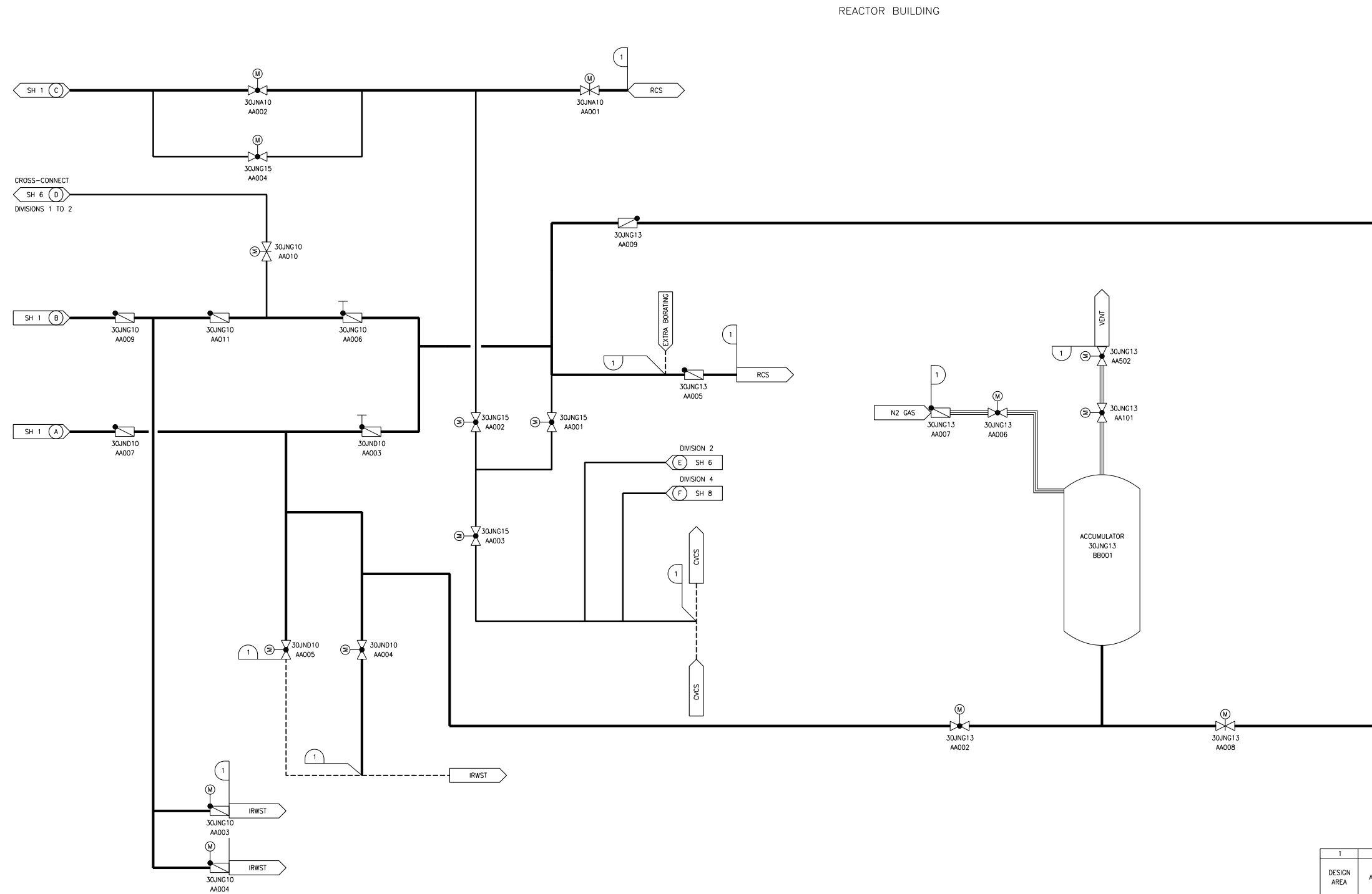
Figure 2.2.3-1—Safety Injection System and Residual Heat Removal System Functional Arrangement  
Sheet 4 of 8



I	III	I
DESIGN AREA	ASME	SSC SEISMIC CLASS

JNX04T1

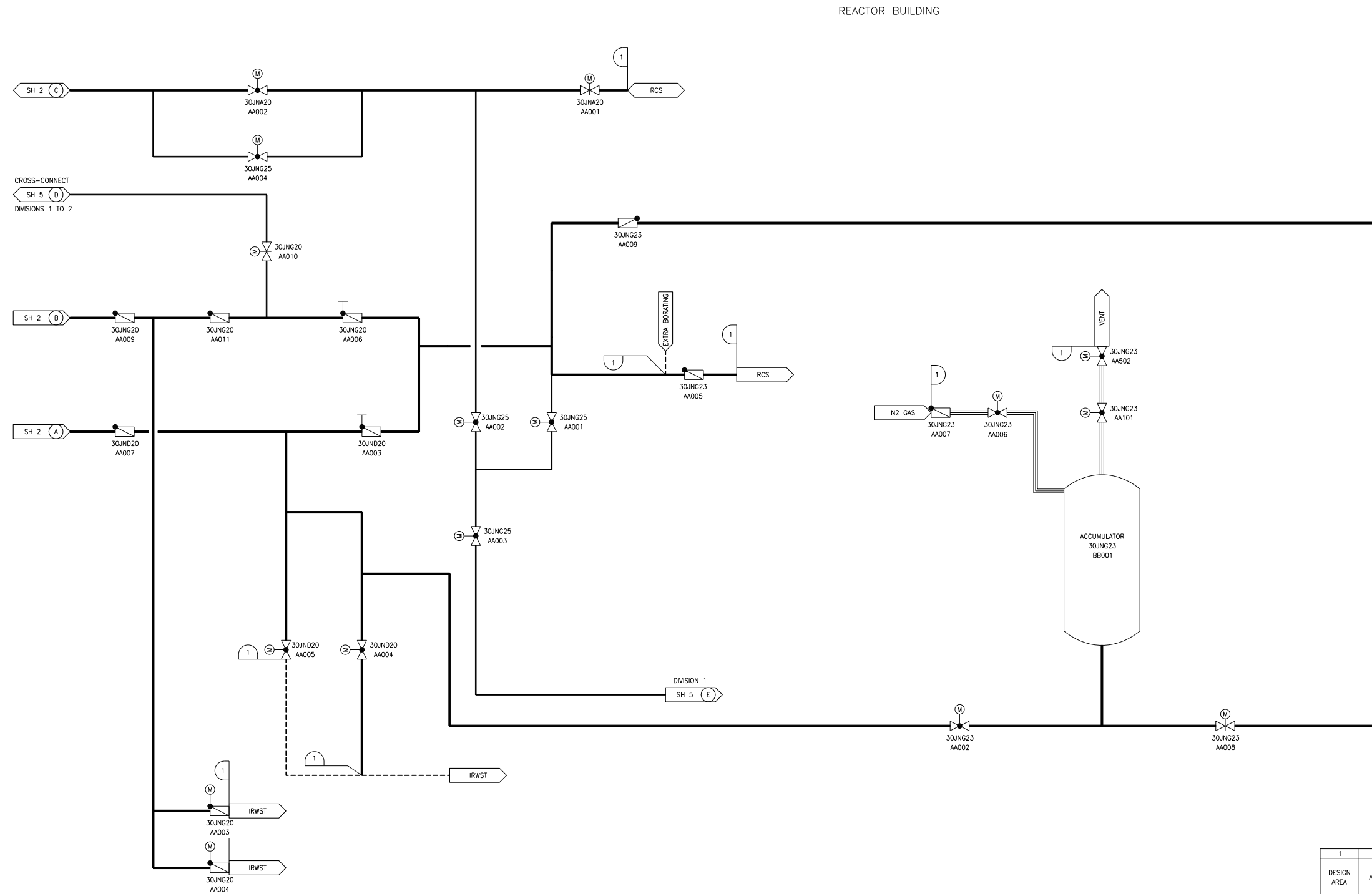
Figure 2.2.3-1—Safety Injection System and Residual Heat Removal System Functional Arrangement  
Sheet 5 of 8



1	III	I
DESIGN AREA	ASME	SSC SEISMIC CLASS

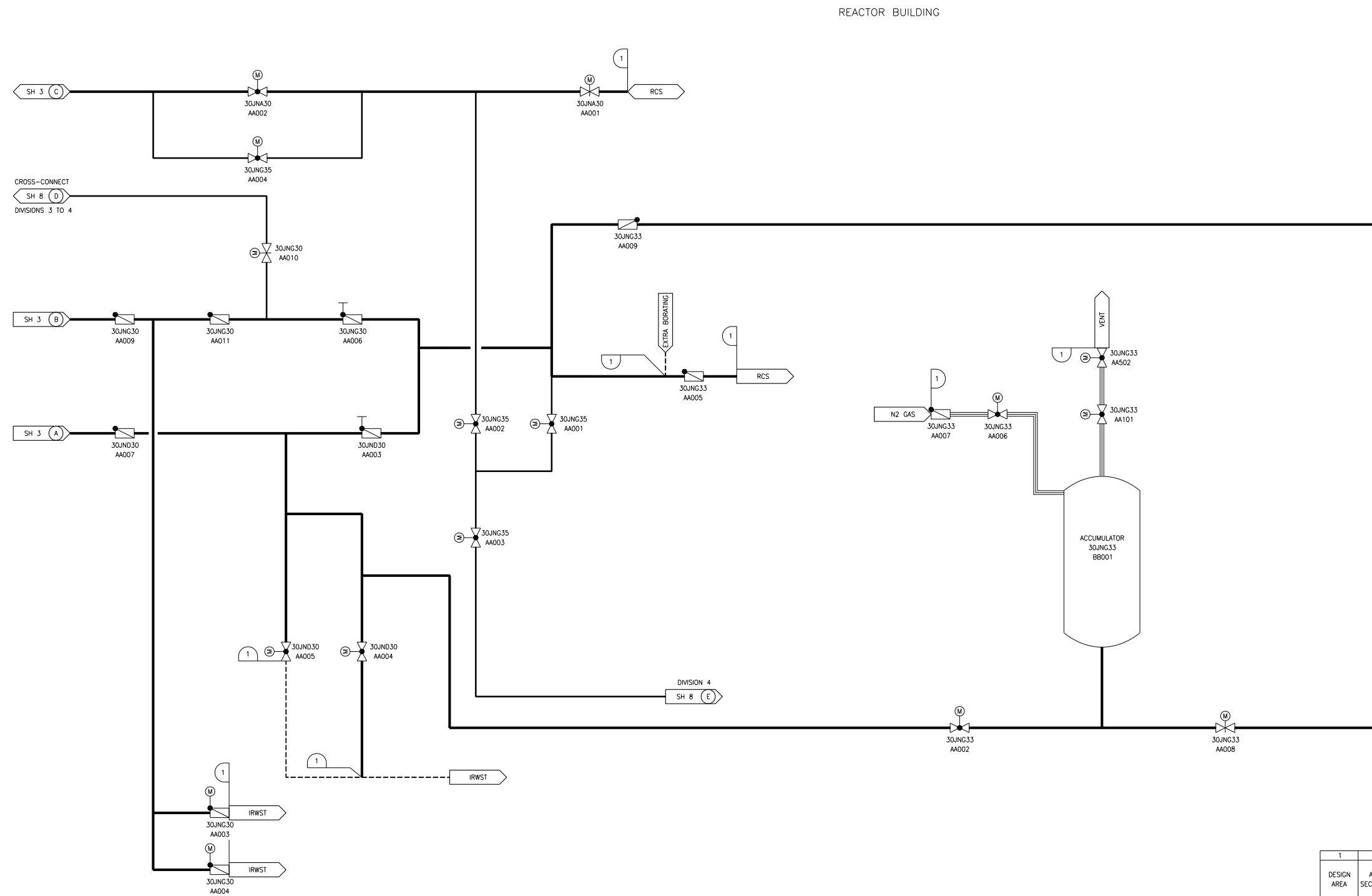
JNX05T1

Figure 2.2.3-1—Safety Injection System and Residual Heat Removal System Functional Arrangement  
Sheet 6 of 8



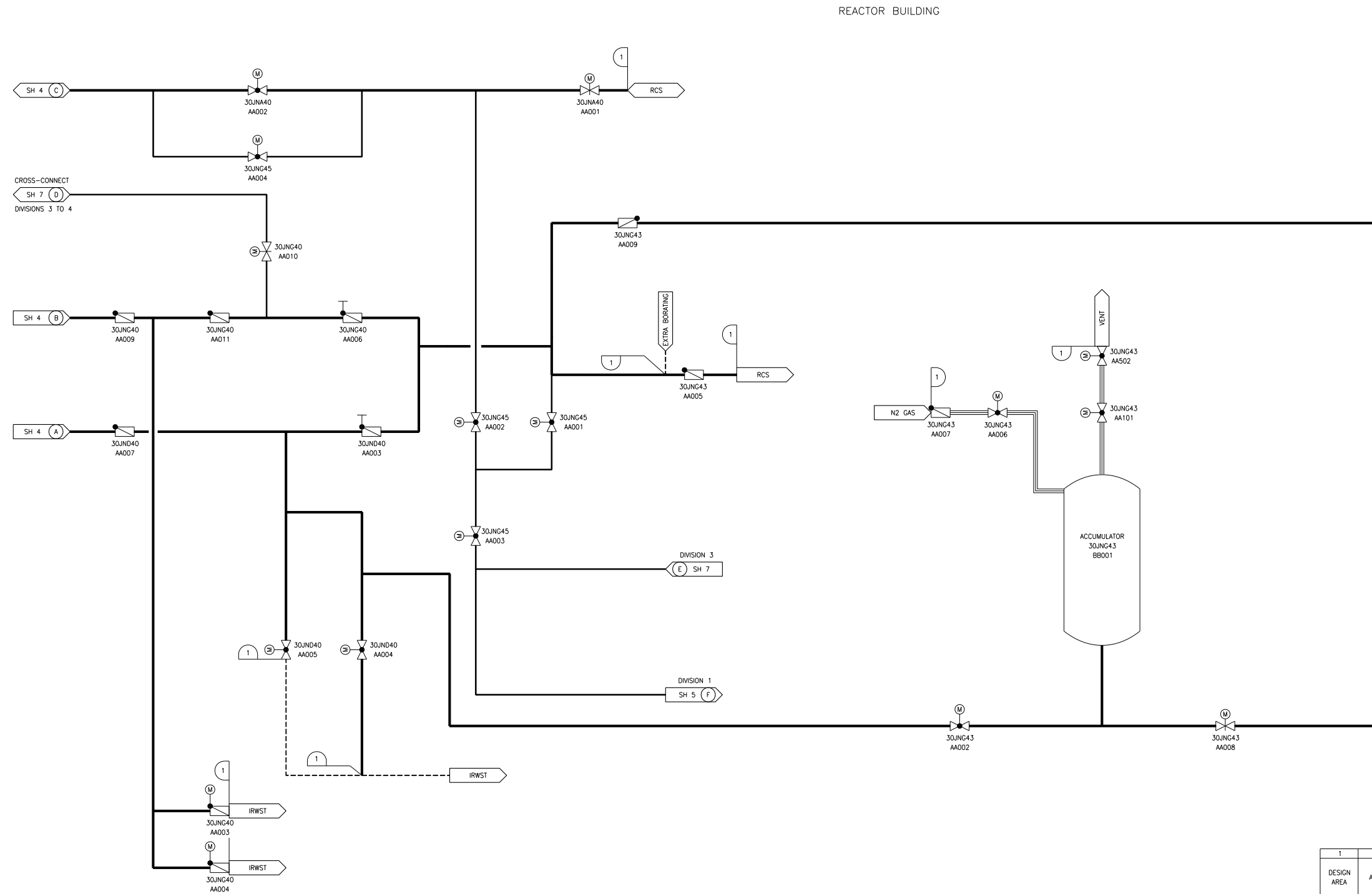
JNX06T1

Figure 2.2.3-1—Safety Injection System and Residual Heat Removal System Functional Arrangement  
Sheet 7 of 8



JNX07T1

Figure 2.2.3-1—Safety Injection System and Residual Heat Removal System Functional Arrangement  
Sheet 8 of 8



JNX08T1