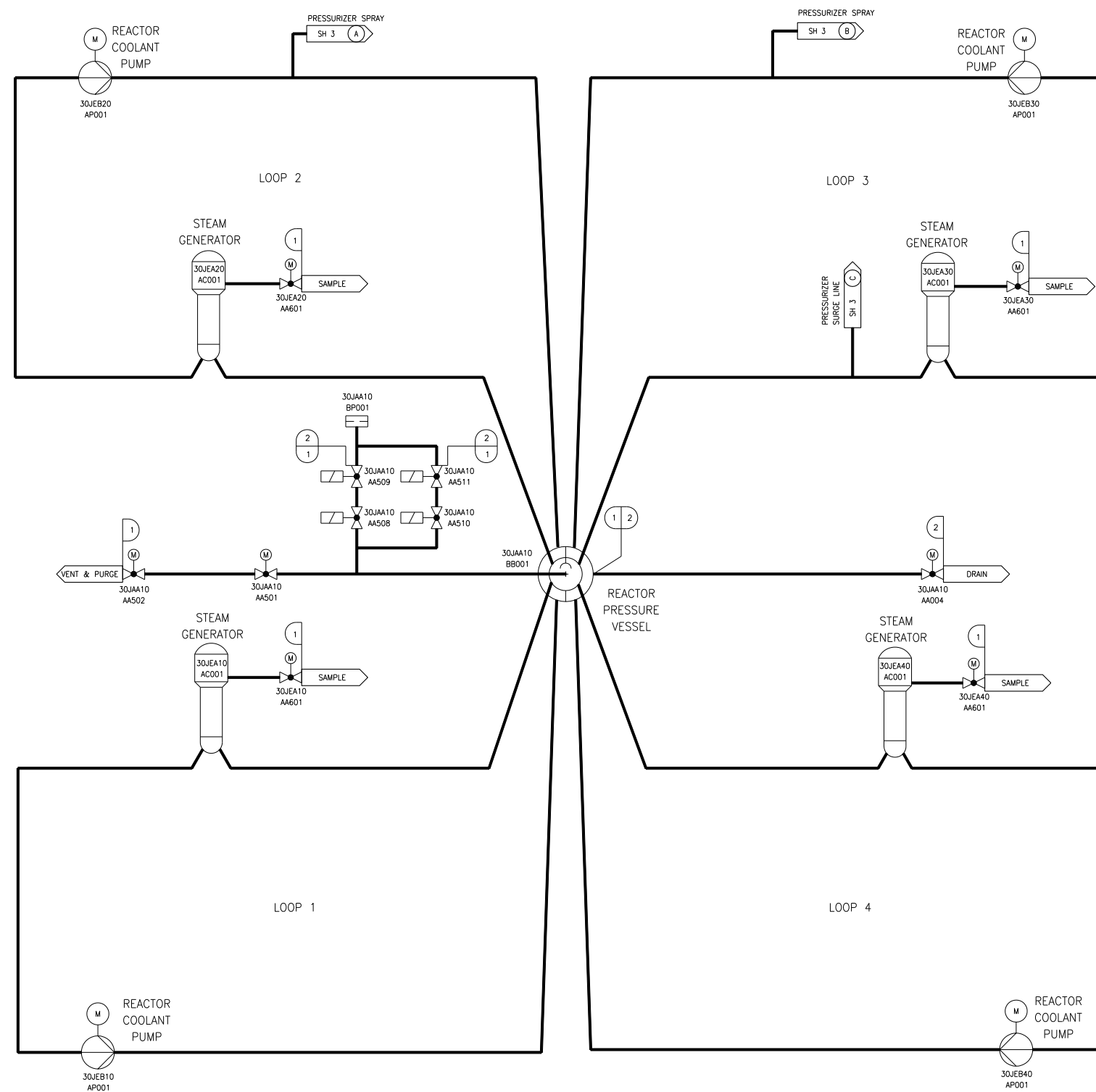


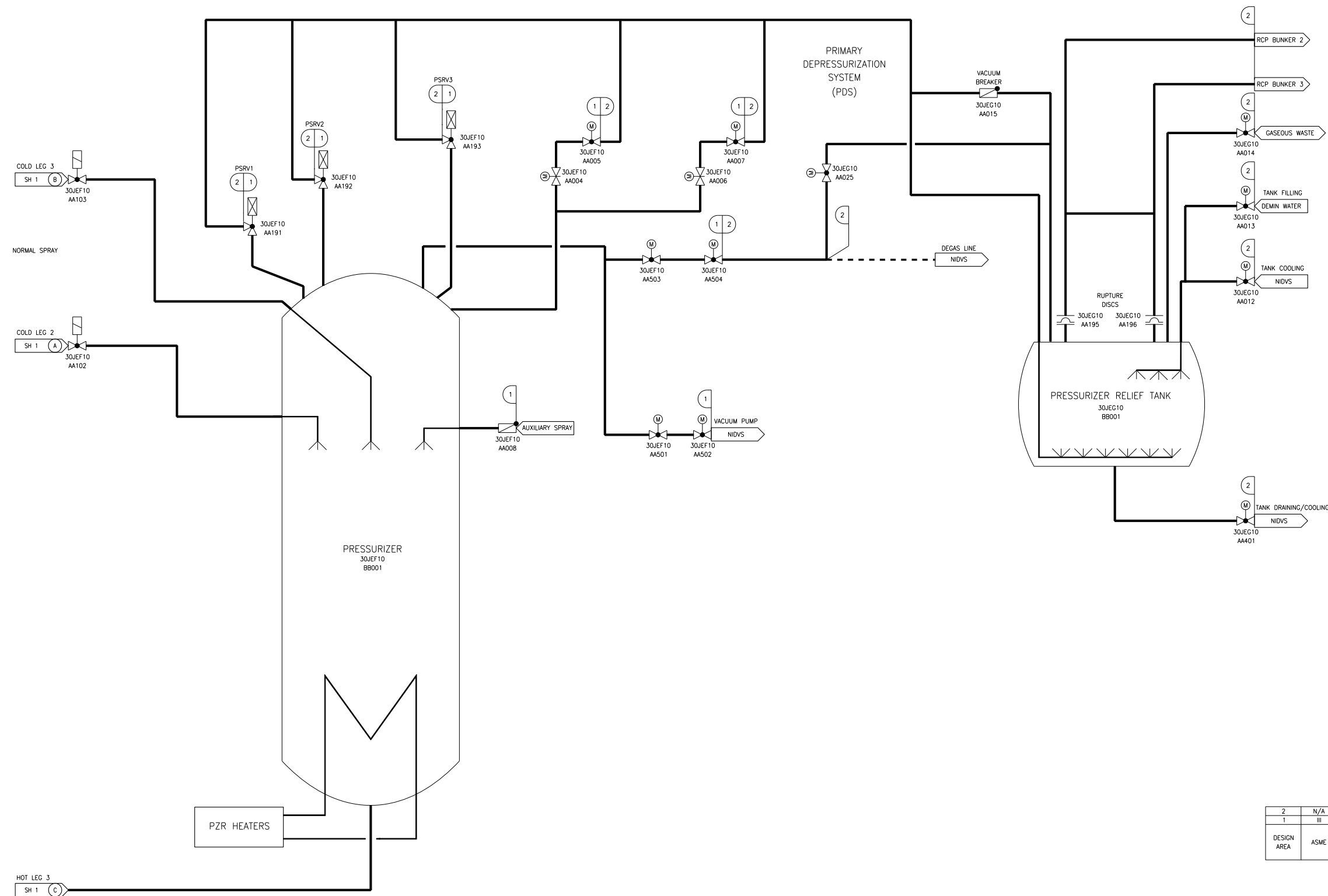
Figure 2.2.1-1—Reactor Coolant System Functional Arrangement  
Sheet 1 of 6



2	N/A	II
1	III	I
DESIGN AREA	ASME	SSC SEISMIC CLASS

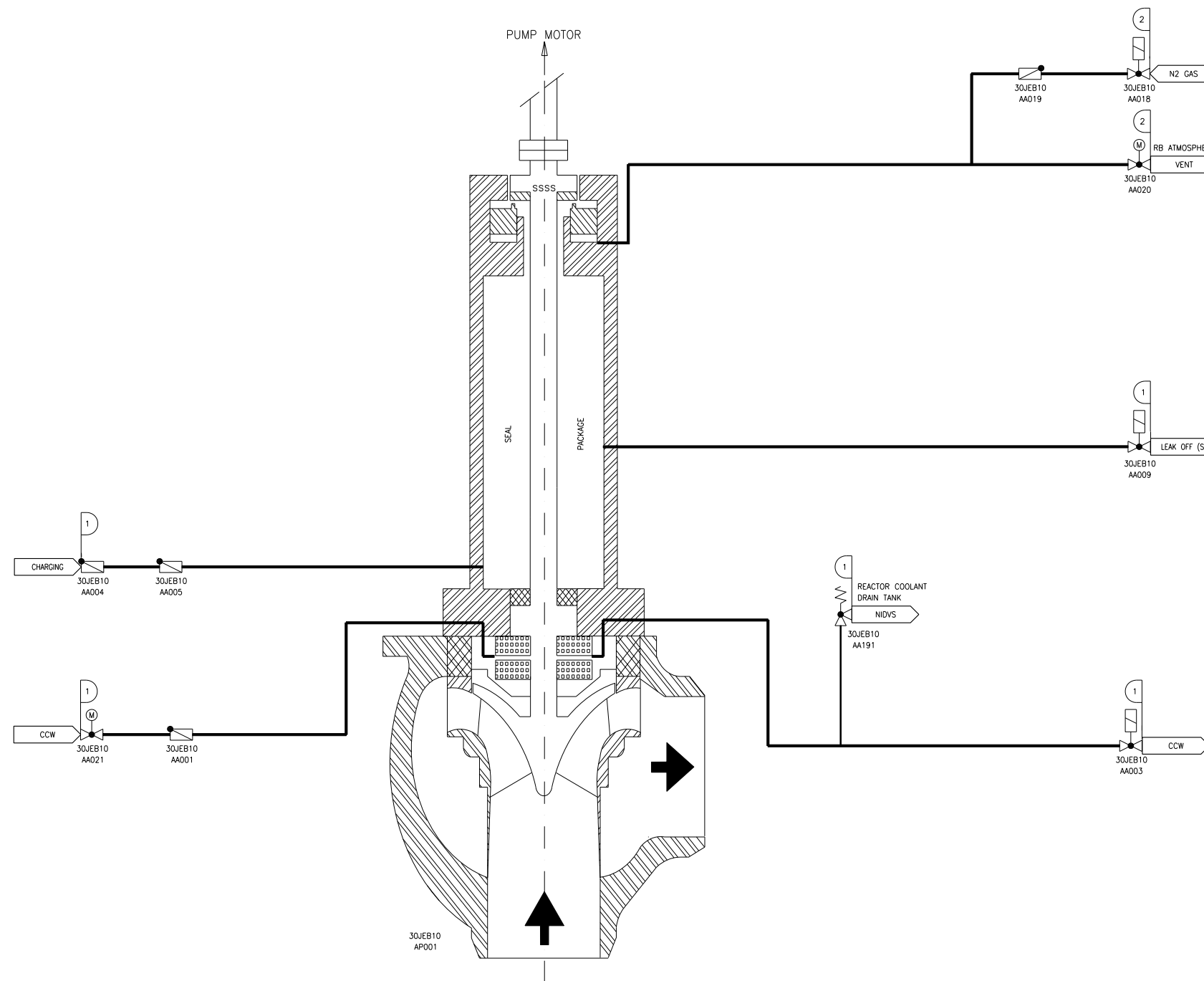
JEX01T1

Figure 2.2.1-1—Reactor Coolant System Functional Arrangement  
Sheet 2 of 6



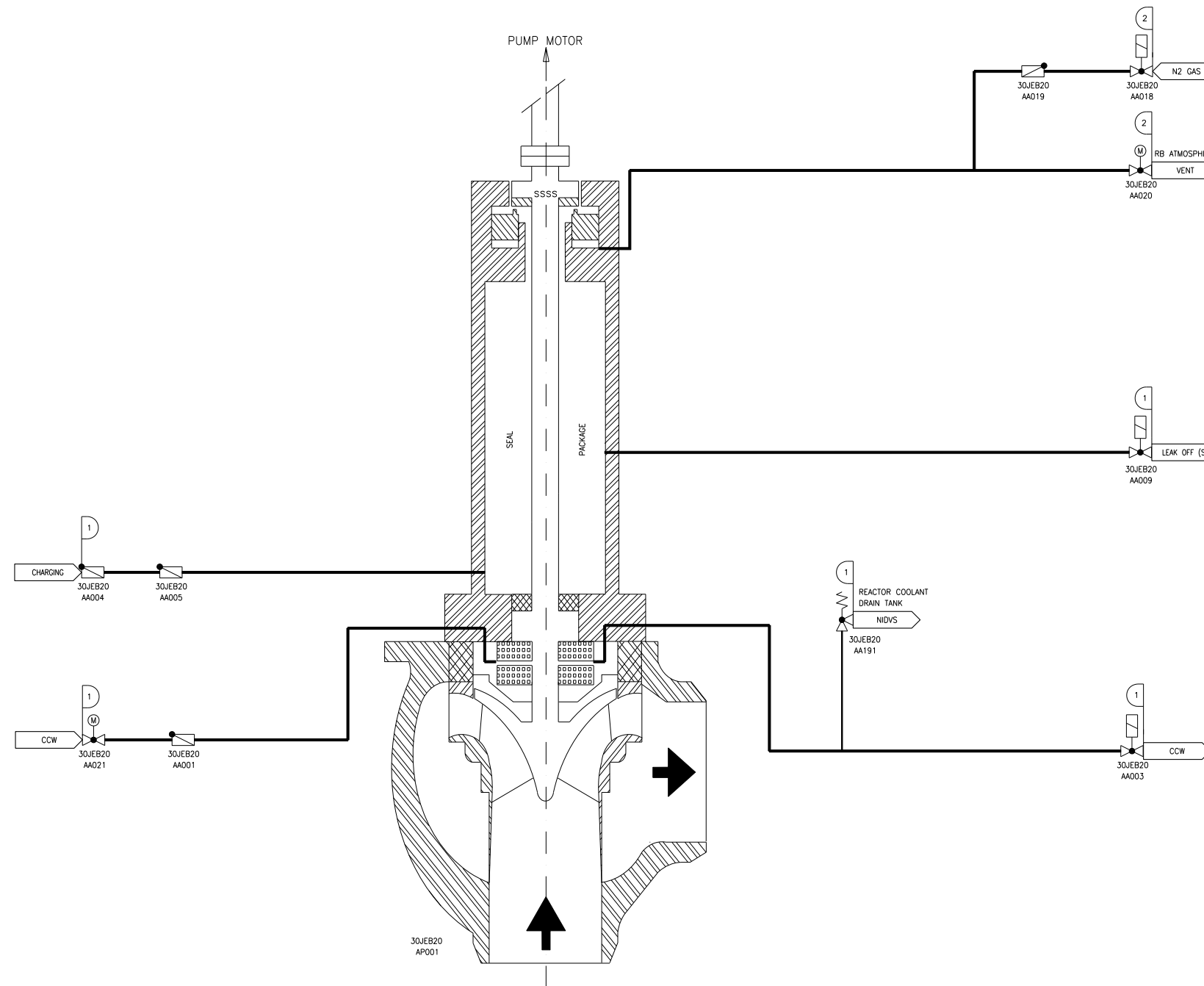
JEX02T1

Figure 2.2.1-1—Reactor Coolant System Functional Arrangement  
Sheet 3 of 6



JEX03T1

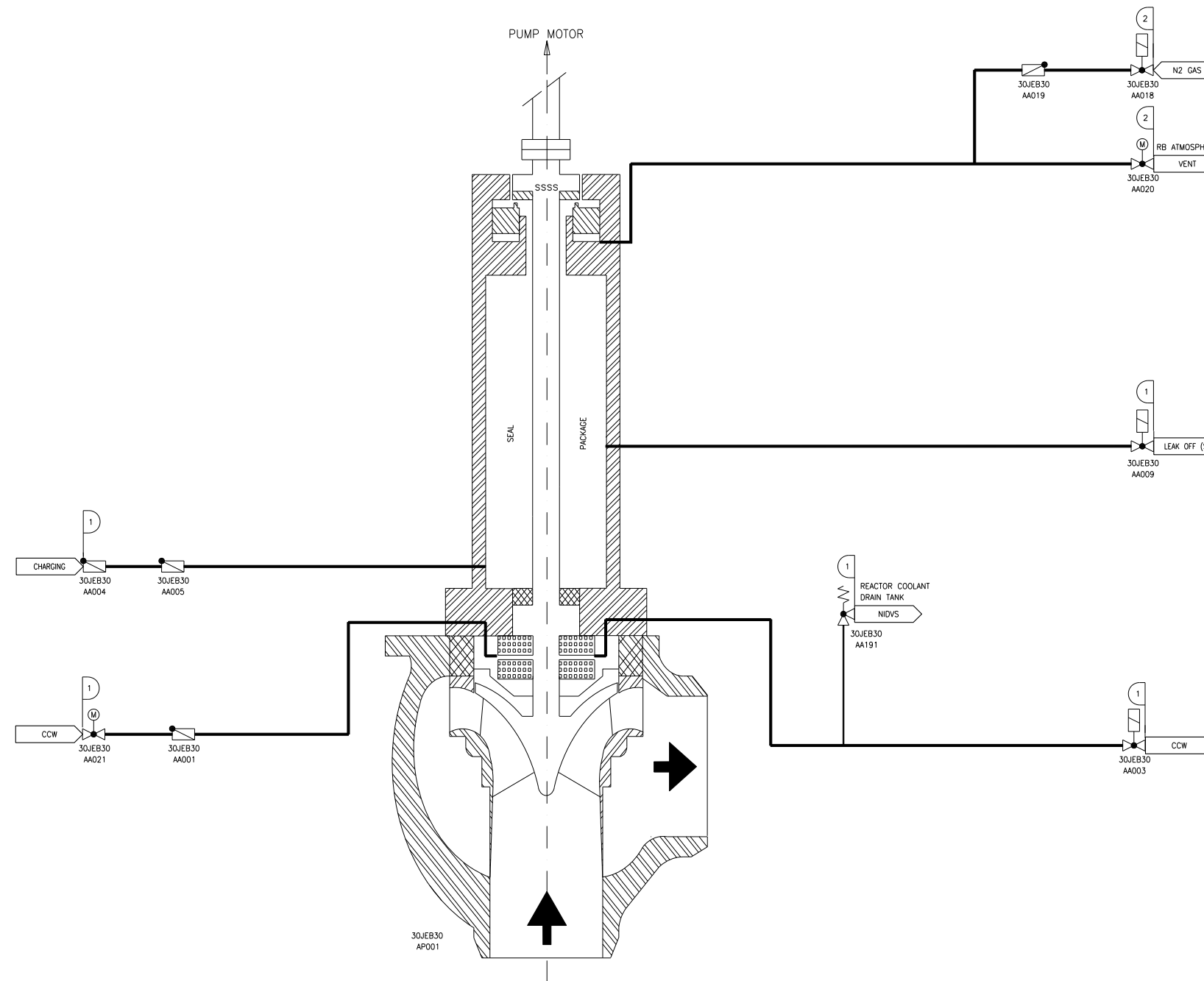
Figure 2.2.1-1—Reactor Coolant System Functional Arrangement  
Sheet 4 of 6



2	N/A	II
1	III	I
DESIGN AREA	ASME	SSC SEISMIC CLASS

JEX04T1

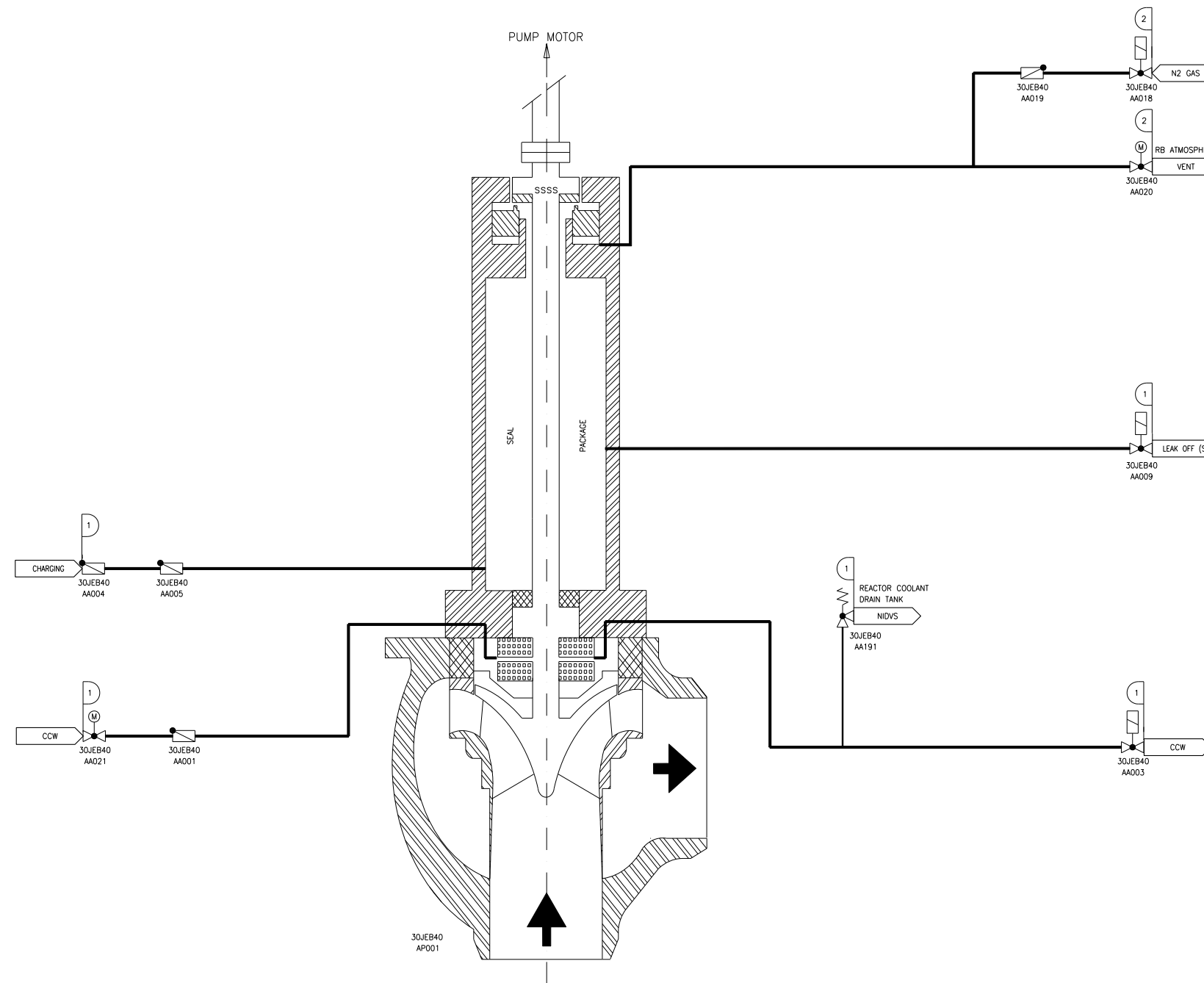
Figure 2.2.1-1—Reactor Coolant System Functional Arrangement  
Sheet 5 of 6



2	N/A	II
1	III	I
DESIGN AREA	ASME	SSC SEISMIC CLASS

JEX05T1

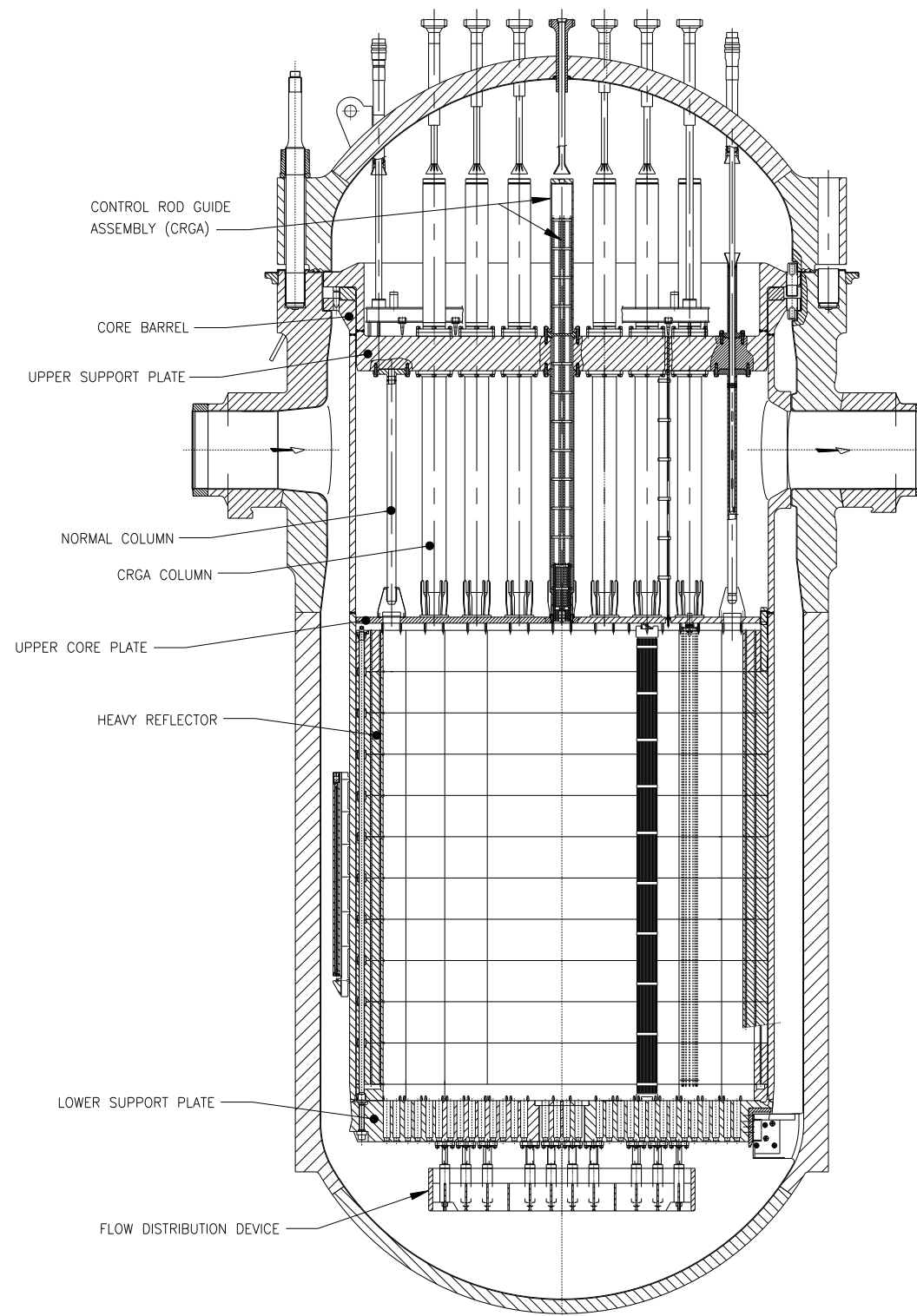
Figure 2.2.1-1—Reactor Coolant System Functional Arrangement  
Sheet 6 of 6



2	N/A	II
1	III	I
DESIGN AREA	ASME	SSC SEISMIC CLASS

JEX06T1

Figure 2.2.1-2—Reactor Pressure Vessel Functional Arrangement



JEX07T1