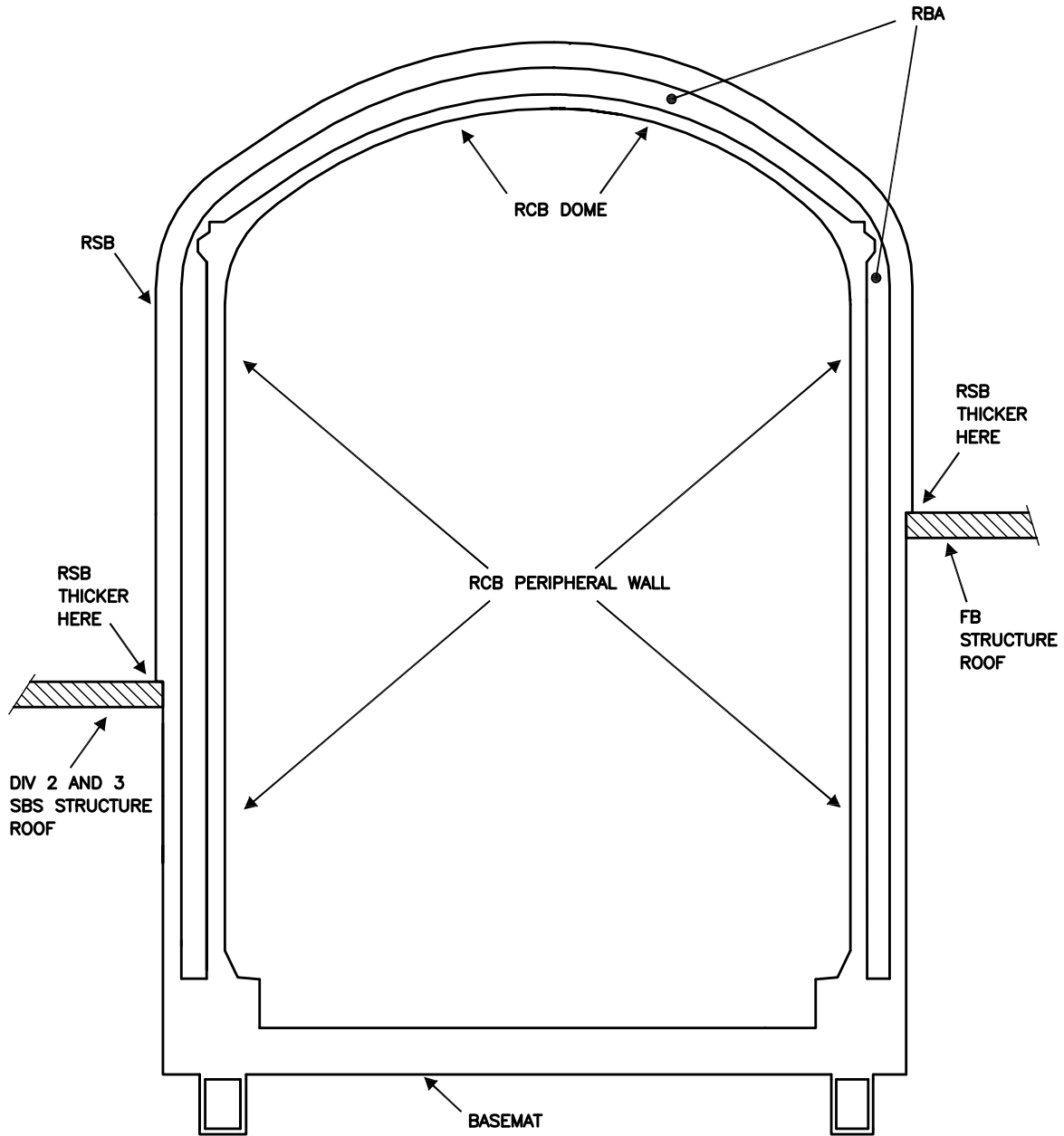


Figure 2.1.1-3—Reactor Building



AGA-UJA-7000 T1

Figure 2.1.1-4—Safeguard Buildings 2 and 3 Elevation +39 Feet

Official Use Only - Security Sensitive Information - Withhold under 10 CFR 2.390

Figure 2.1.1-5—Safeguard Buildings 2 and 3 Elevation +53 Feet

Official Use Only - Security Sensitive Information - Withhold under 10 CFR 2.390

Figure 2.1.1-6—Fuel Building - View 1

Official Use Only - Security Sensitive Information - Withhold under 10 CFR 2.390

Figure 2.1.1-7—Safeguard Building 1

Official Use Only - Security Sensitive Information - Withhold under 10 CFR 2.390

Figure 2.1.1-8—Safeguard Buildings 2 and 3

Official Use Only - Security Sensitive Information - Withhold under 10 CFR 2.390

Figure 2.1.1-9—Safeguard Building 4

Official Use Only - Security Sensitive Information - Withhold under 10 CFR 2.390

Figure 2.1.1-10—Fuel Building - View 2

Official Use Only - Security Sensitive Information - Withhold under 10 CFR 2.390