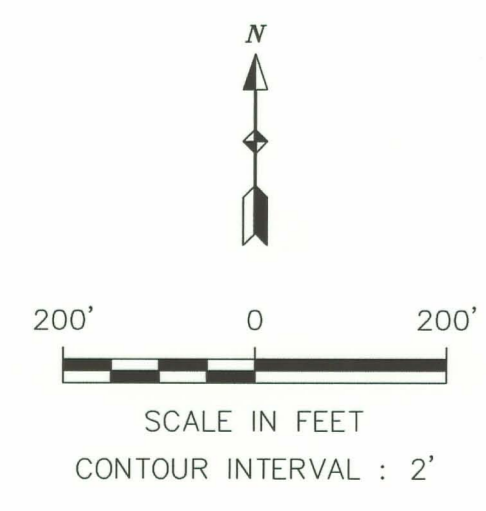


- PROFILE LEGEND:**
- EXISTING GRADE 1997 AERIAL TOPOGRAPHY
 - TOP OF THE CONTAMINATED FILL
 - 18" RADON BARRIER



- LEGEND:**
- EXISTING 1997 AERIAL TOPOGRAPHY
 - DRAINAGE PATH/PONDED WATER
 - UN-PAVED ROADS
 - UMETCO 1000' SITE GRID
 - FINISH GRADE TOPOGRAPHY
 - RADON BARRIER FILL AREA
 - RADON BARRIER FILL SURVEY VERIFICATION POINT
 - LIMIT OF RADON BARRIER SOILS

Umetco Minerals Corporation
2754 COMPASS DRIVE, SUITE 280, GRAND JUNCTION, CO 81506

AS BUILT

**A-9 REPOSITORY
FINAL CONTOURS AND
SURVEY VERIFICATION POINTS
RADON BARRIER**

GAS HILLS, WYOMING

DATE: JUNE 2007 DWS: GH-A9-05-AB SHEET 5 OF 12

D-05