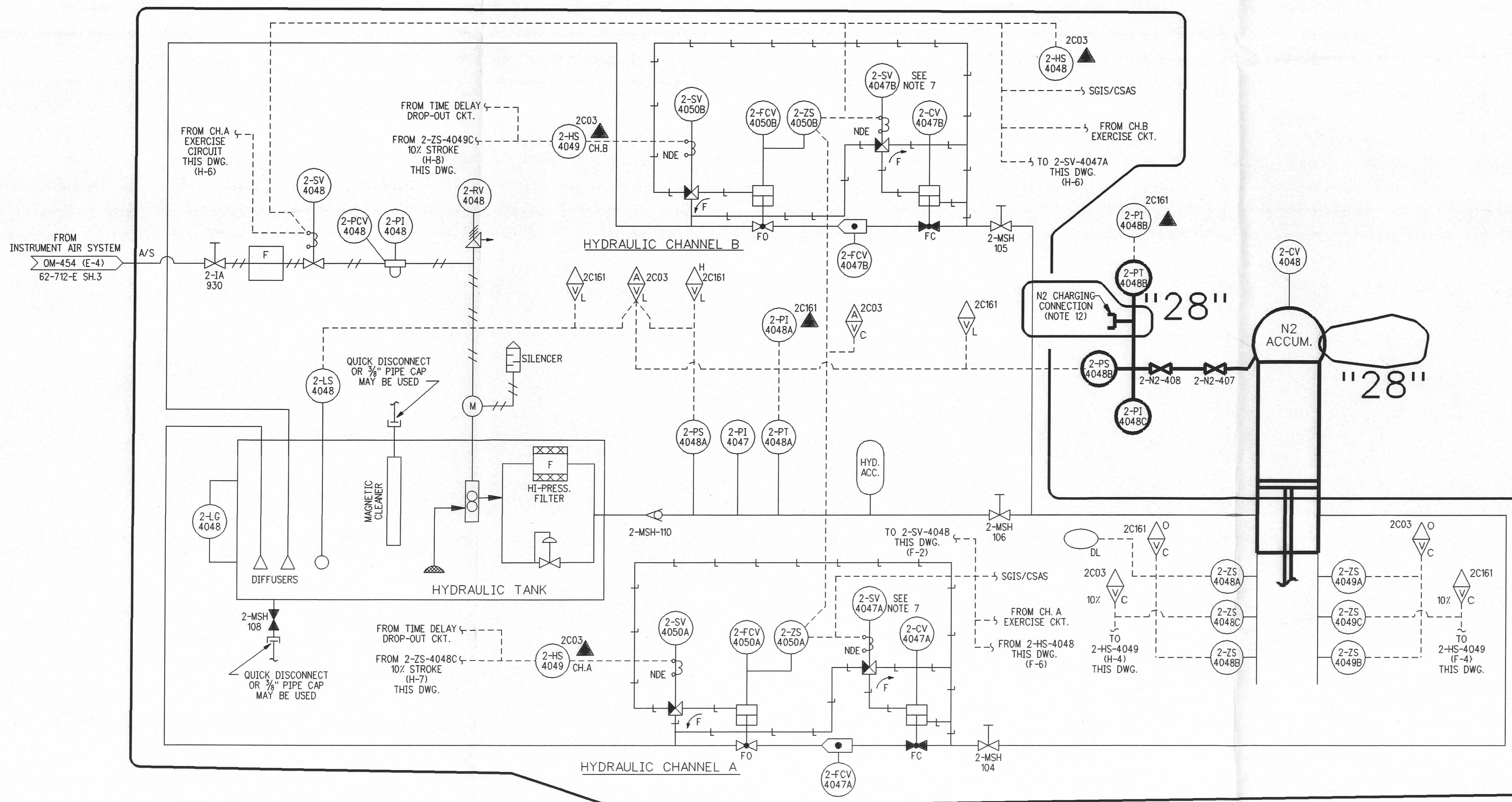
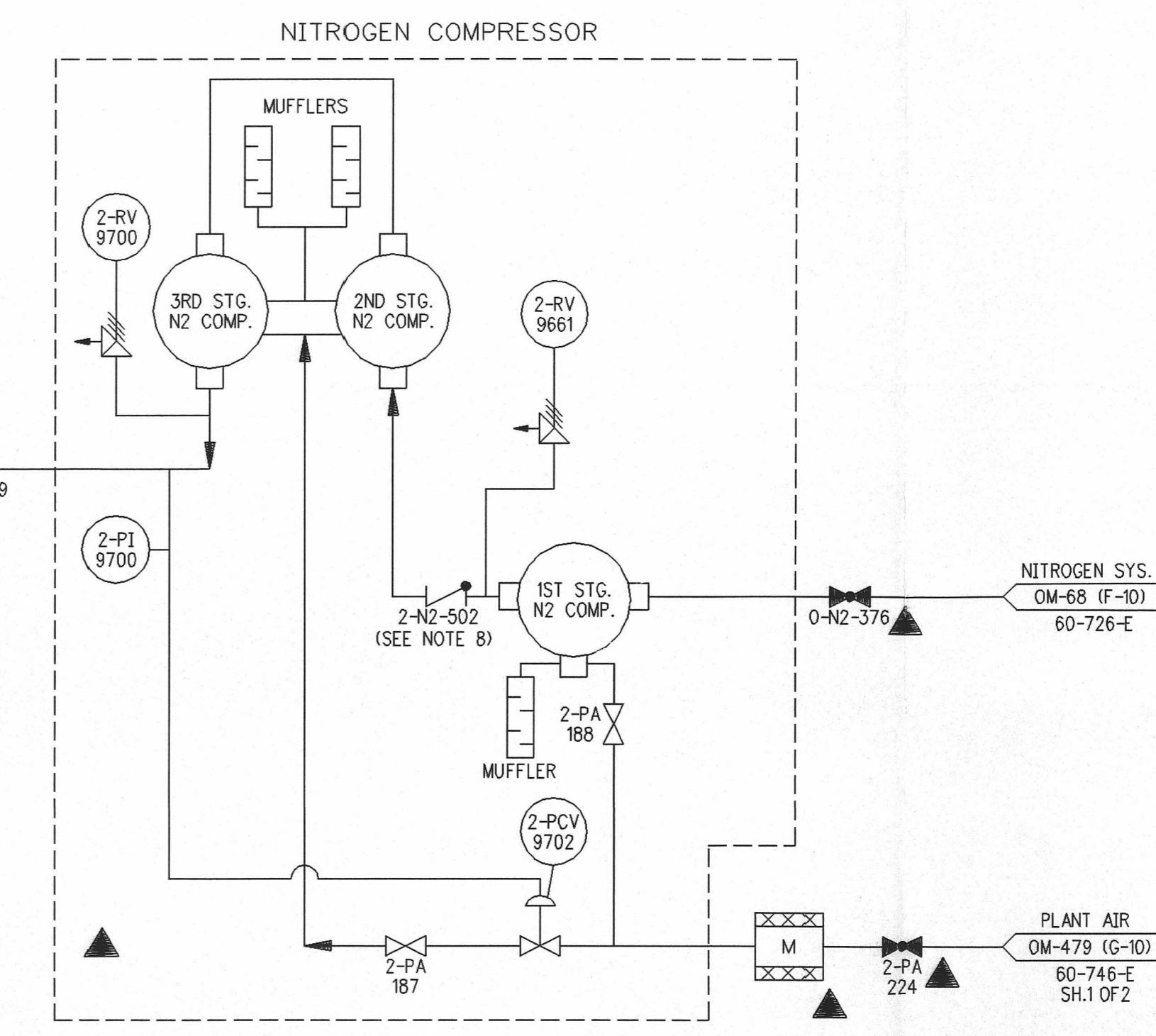


MAIN STEAM ISOLATION VALVE #21 2-CV-4043



MAIN STEAM ISOLATION VALVE #22 2-CV-4048

- GENERAL NOTES:**
- FOR P & ID LEGEND SEE DRAWING 6750-M-80 (BG & E NO. 60-263-E).
  - FOR EQUIPMENT LIST SEE 6750-M-603.
  - FOR INSTRUMENT DATA SHEETS SEE 6750-M-500.
  - EQUIPMENT NUMBERS FOR UNIT NO.1 ARE PREFIXED BY THE NO.1 (EXAMPLE: NO.11,12,13,ETC). EQUIPMENT NUMBERS FOR UNIT NO.2 ARE PREFIXED BY THE NO.2 (EXAMPLE: NO.21,22,23,ETC). EQUIPMENT COMMON TO BOTH UNITS IS NUMBERED AS FOR UNIT NO.1.
  - ALL EQUIPMENT ON THIS DRAWING IS SUPPLIED BY ROCKWELL INTERNATIONAL, EXCEPT AS NOTED WITH "▲".
  - AIR SUPPLIED FROM INSTRUMENT AIR SYSTEM P&ID. OM-454, SH.3, EXCEPT WHERE NOTED OTHERWISE.
  - SOLENOID DUMP VALVES 2-SV-4042A & B AND 2-SV-4047A & B ARE EQUIPPED WITH A MANUAL OVERRIDE DEVICE.
  - THE Q-LIST INFORMATION PROVIDED ON THIS DRAWING IDENTIFIES THE SAFETY RELATED PRESSURE BOUNDARIES (SR-PB). EQUIPMENT WITHIN THE BOUNDARIES IS ALSO CLASSIFIED SR-PB. AS A MINIMUM THE NUCLEUS MASTER EQUIPMENT LIST MUST BE USED FOR IDENTIFYING SPECIFIC OR ADDITIONAL SAFETY CLASSIFICATION INFORMATION, INCLUDING COMPONENT CLASSIFICATIONS AND ASSOCIATED REQUIREMENTS.
  - PIPING WHICH CONTINUES BEYOND THE SAFETY RELATED (SR-PB) BOUNDARY INDICATED ON THIS DRAWING, IS CLASSIFIED SR-PB UP TO AND INCLUDING THE FIRST SEISMIC ANCHOR.
  - DENOTES SAFETY RELATED PRESSURE BOUNDARIES.  
— DENOTES NON-SAFETY RELATED PRESSURE BOUNDARIES.
  - THE N2 CHARGING CONNECTION IS LOCATED ON THE GAS PRESSURE SWITCH MANIFOLD.

"28"

"28"

THIS DRAWING CREATED FROM OPERATIONS DRAWING 62-747-E (OM-483), REV. 19, DATED 03-19-1992.

REV	DATE	DESCRIPTION	DWN	DSGN	DE	IR	APPROVED
26	10/9/02	AS BUILT INFO ONLY ES200200436-000	DHE	RKL			RKL
27	1/6/05	AS BUILT DCN 62747-2003SH0001 ES200300673-000	WHR	RKL			RKL
28	4/10/07	AS BUILT DCN 62747-2004SH0001 ES200400338-001 AND 62747-2005SH0001 & 2 ES200500673-003	TJU				TJU

**DIAGRAM**  
HYDRAULIC SCHEMATIC  
MAIN STEAM ISOLATION  
VALVES 21 & 22

CALVERT CLIFFS NUCLEAR POWER PLANT  
ENGINEERING SERVICES DEPARTMENT

SCALE: NONE VENDOR: OM-483  
DWC NO.: 62747