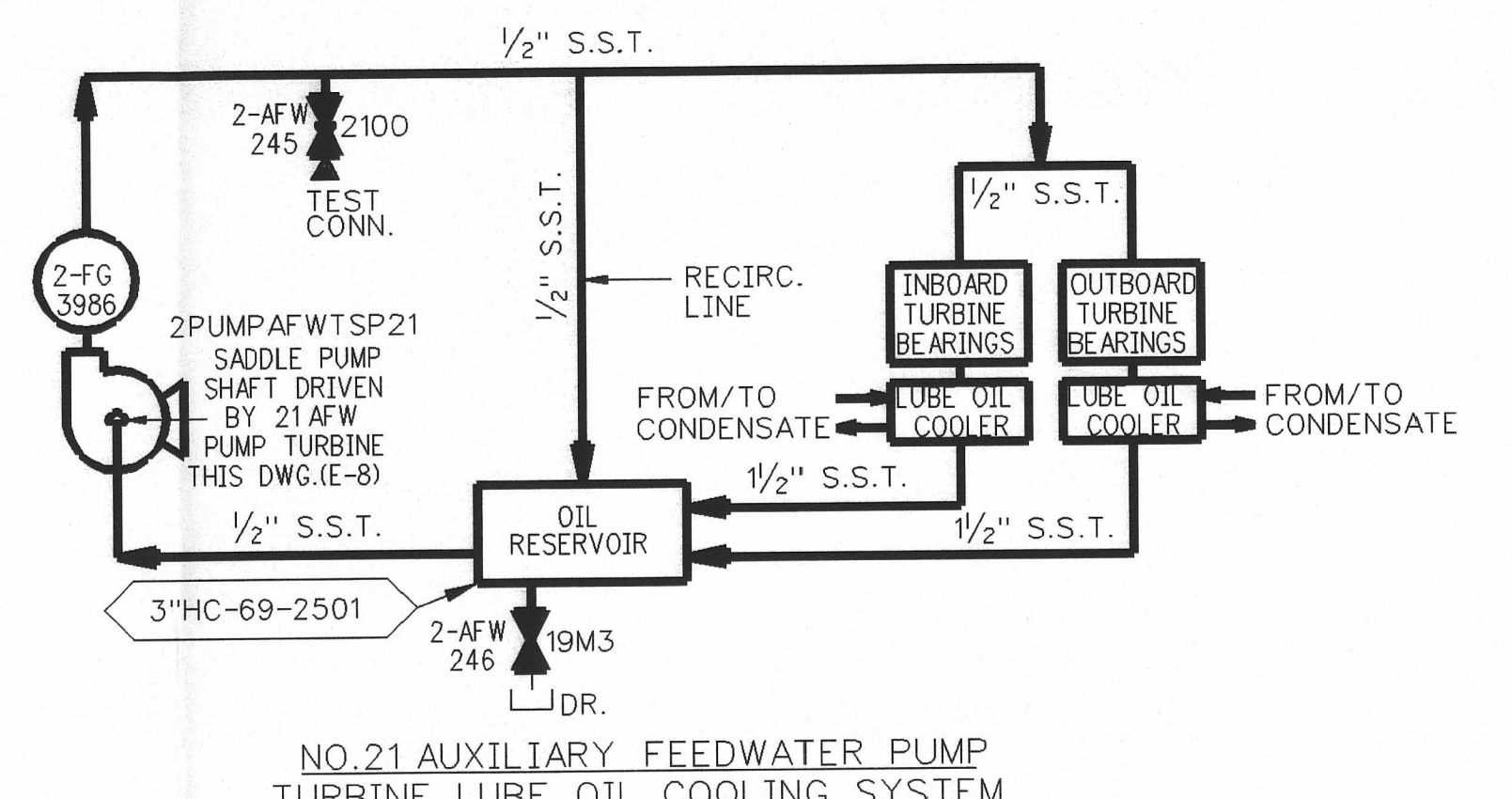


DRAIN NO.	P & ID COOR.	LINE SIZE	OM-458 COOR.
17	B-3	1"	C-7
18	B-6	1"	D-7
25	B-4	1"	I-5
26	C-6	1"	I-6
28	D-5	1"	D-6
8	G-6	1"	A-7
9	D-6	1"	C-7

GENERAL NOTES

- FOR P & ID LEGEND SEE DRAWING 6750-M-80, (B.G. & E. NO. 60263)
- FOR INSTRUMENT DATA SHEETS SEE DRAWING 6750-M-500, (B.G. & E. NO. 92-401-A THRU 92-422-B)
- FOR EQUIPMENT LIST SEE 6750-M-603, (B.G. & E. NO. 92-722-A)
- EQUIPMENT NUMBERS FOR UNIT NO. 1 ARE PREFIXED BY THE NUMBER 1 (EXAMPLE NO. 11, 22, 13, ETC.) EQUIPMENT NUMBERS FOR UNIT NO. 2 ARE PREFIXED BY THE NUMBER 2 (EXAMPLE NO. 21, 22, 23, ETC.). EQUIPMENT COMMON TO BOTH UNITS IS NUMBERED AS FOR UNIT NO. 1.
- FOR DRAIN DETAILS SEE DRAWING OM-458 (B.G. & E. NO. 62-740-E), SHEET 1 OF 3.
- FOR AFW ALARMS REFER TO ELECTRICAL ANNUNCIATOR DRAWINGS.
- TRANSFER HAND SWITCHES, 2-HV-3987 & 3989 ARE LOCATED IN TAMPER-PROOF ARMED ENCLOSURES.
- ELECTRO-PNEUMATIC TRANSDUCERS 2-IP 4511A, 4511B, 4512A AND 4512B ARE LOCATED IN ENCLOSURES FOR ENVIRONMENTAL PROTECTION PURPOSES (SEE SHEET 2).
- FOR DEFINITIONS OF LINE DESIGNATIONS SEE PIPING CLASS AND SUMMARY SHEETS M-600, M-601, M-600B.
- THE Q-LIST INFORMATION PROVIDED ON THIS DRAWING IDENTIFIES THE SAFETY RELATED PRESSURE BOUNDARIES (SR-PB). EQUIPMENT WITHIN THE BOUNDARIES IS ALSO CLASSIFIED SR-PB. AS A MINIMUM, THE NUCLEUS MASTER EQUIPMENT LIST MUST BE USED FOR IDENTIFYING SPECIFIC OR ADDITIONAL SAFETY CLASSIFICATION INFORMATION, INCLUDING COMPONENT CLASSIFICATIONS AND ASSOCIATED REQUIREMENTS.
- PIPING WHICH CONTINUES BEYOND THE SAFETY RELATED (SR-PB) BOUNDARY INDICATED ON THIS DRAWING IS CLASSIFIED SR-NB UP TO AND INCLUDING THE FIRST SEISMIC ANCHOR.
- DENOTES SAFETY RELATED PRESSURE BOUNDARIES.
— DENOTES NON-SAFETY RELATED PRESSURE BOUNDARIES.



THIS DRAWING WAS CREATED FROM OPERATIONS DRAWING 62583, REV. 53, DATED 1/12/04. SEE DRAWING 62583SH002 FOR AUXILIARY FEEDWATER SYSTEM (CONDENSATE).

REV.	DATE	DESCRIPTION	BY	CHKD.	APP'D.
52	4/2/00	AS BUILT DCN 62583-2001SH002 E5199601487-000	WHR KJW	—	KJW
53	1/12/04	ADMIN CHANGE ONLY	WHR KJW	—	KJW
54	2/18/05	ADMIN CHANGE ONLY	WHR RKL	—	RKL
55	3/9/06	AS BUILT DCN 62583-2004SH001 E5200100605-000 & 62583-2006SH001 E5200100665-000	WHR RKL	—	RKL
56	4/17/07	AS BUILT DCN 62583-2005SH001 E5200100605-000	WHR TJU	—	TJU

AUXILIARY FEEDWATER SYSTEM (STEAM)

SCALE:	NONE	VENDOR:	OM-801SH001
DWG. NO.:	62583SH001	REV.:	56