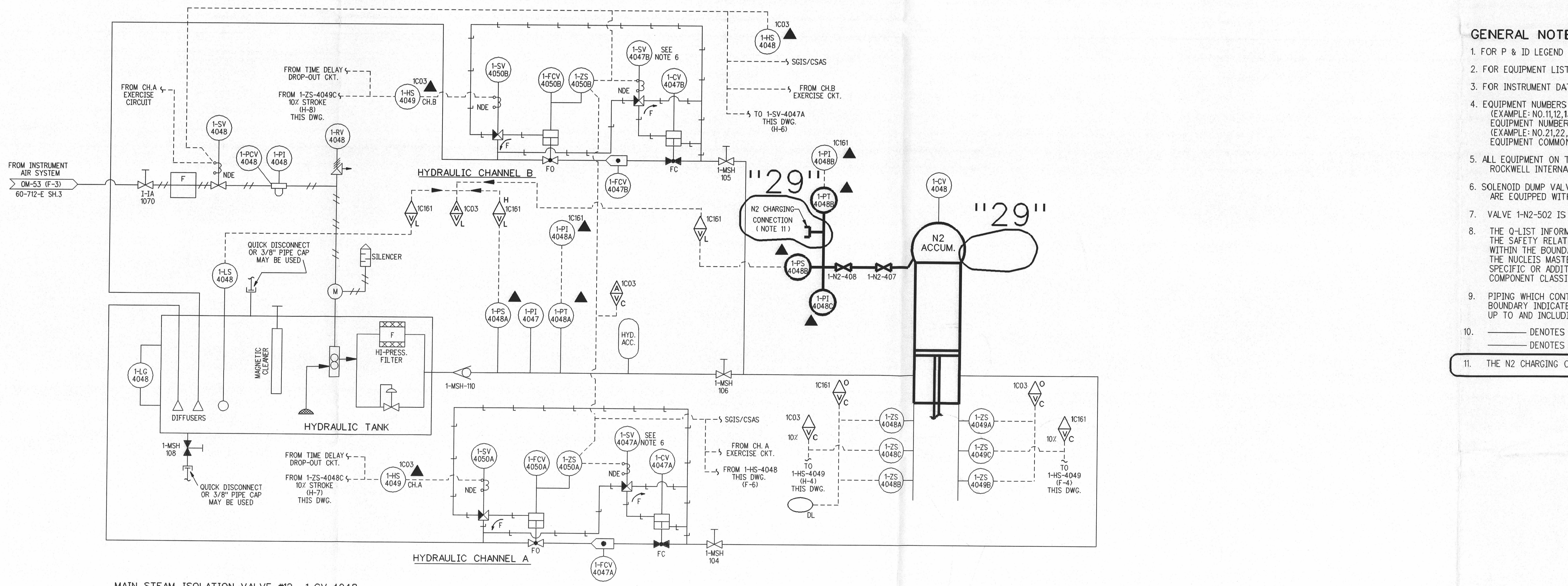


MAIN STEAM ISOLATION VALVE #11 1-CV-4043



MAIN STEAM ISOLATION VALVE #12 1-CV-4048

- GENERAL NOTES:**
- FOR P & ID LEGEND SEE DRAWING 6750-M-80 (BG & E NO. 60-263-E).
  - FOR EQUIPMENT LIST SEE 6750-M-603.
  - FOR INSTRUMENT DATA SHEETS SEE 6750-M-500.
  - EQUIPMENT NUMBERS FOR UNIT NO.1 ARE PREFIXED BY THE NO.1. (EXAMPLE: NO.11,12,13,ETC). EQUIPMENT NUMBERS FOR UNIT NO.2 ARE PREFIXED BY THE NO.2. (EXAMPLE: NO.21,22,23,ETC). EQUIPMENT COMMON TO BOTH UNITS IS NUMBERED AS FOR UNIT NO.1.
  - ALL EQUIPMENT ON THIS DRAWING IS SUPPLIED BY ROCKWELL INTERNATIONAL, EXCEPT AS NOTED WITH "▲".
  - SOLENOID DUMP VALVES 1-SV-4042A & B AND 1-SV-4047A & B ARE EQUIPPED WITH A MANUAL OVERRIDE DEVICE.
  - VALVE 1-N2-502 IS INTERNAL TO COMPRESSOR BODY (FEC 90-01-610).
  - THE Q-LIST INFORMATION PROVIDED ON THIS DRAWING IDENTIFIES THE SAFETY RELATED PRESSURE BOUNDARIES (SR-PB). EQUIPMENT WITHIN THE BOUNDARIES IS ALSO CLASSIFIED SR-PB, AS A MINIMUM. THE NUCLEUS MASTER EQUIPMENT LIST MUST BE USED FOR IDENTIFYING SPECIFIC OR ADDITIONAL SAFETY CLASSIFICATION INFORMATION, INCLUDING COMPONENT CLASSIFICATIONS AND ASSOCIATED REQUIREMENTS.
  - PIPING WHICH CONTINUES BEYOND THE SAFETY RELATED (SR-PB) BOUNDARY INDICATED ON THIS DRAWING IS CLASSIFIED SR-PB UP TO AND INCLUDING THE FIRST SEISMIC ANCHOR.
  - △ DENOTES SAFETY RELATED PRESSURE BOUNDARIES.  
◇ DENOTES NON-SAFETY RELATED PRESSURE BOUNDARIES.
  - THE N2 CHARGING CONNECTION IS LOCATED ON THE GAS PRESSURE SWITCH MANIFOLD.

"29"

THIS DRAWING CREATED FROM OPERATIONS DRAWING 60-747-E (OM-480), REV. 18, DATED 07-21-1992.

REV	DATE	DESCRIPTION	OWN	DSGN	DE	IR	APPROVED
26	11/1/99	AS BUILT INFO ONLY ES199901016-000	MWR	WHR			JM
27	1/4/05	AS BUILT DCN 60747-200450001 ES200300673-000	WHR	RKL			RKL
28	8/25/06	AS BUILT DCN 60747-200550001 ES200400338-000	WB	RKL			RKL
29	4/17/07	AS BUILT DCN 60747-200650001 & 2 ES200300673-003	TJU				TJU

**HYDRAULIC SCHEMATIC  
MAIN STEAM ISOLATION  
VALVES 11 & 12**

SCALE: NONE  
DWC NO. 60747

**CALVERT CLIFFS NUCLEAR POWER PLANT  
ENGINEERING SERVICES DEPARTMENT**

CALVERT CLIFFS UNIT 1

OM-480  
REV. 29