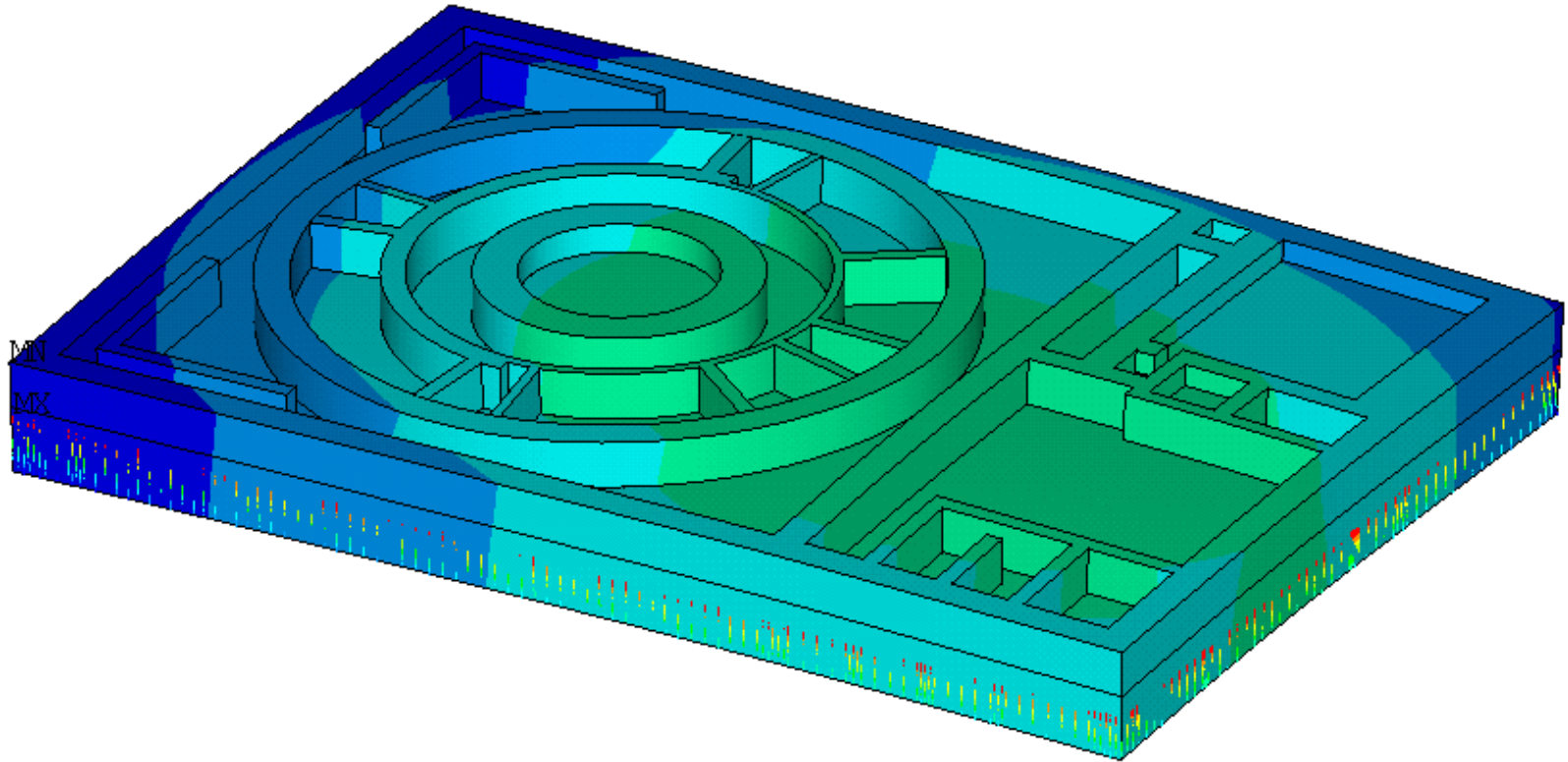


1

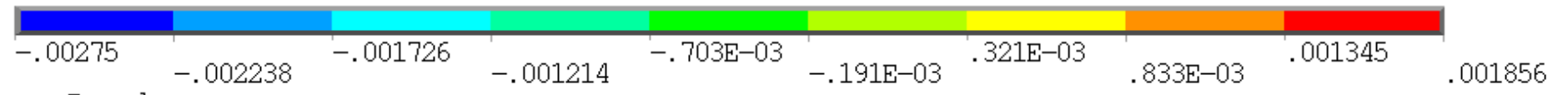
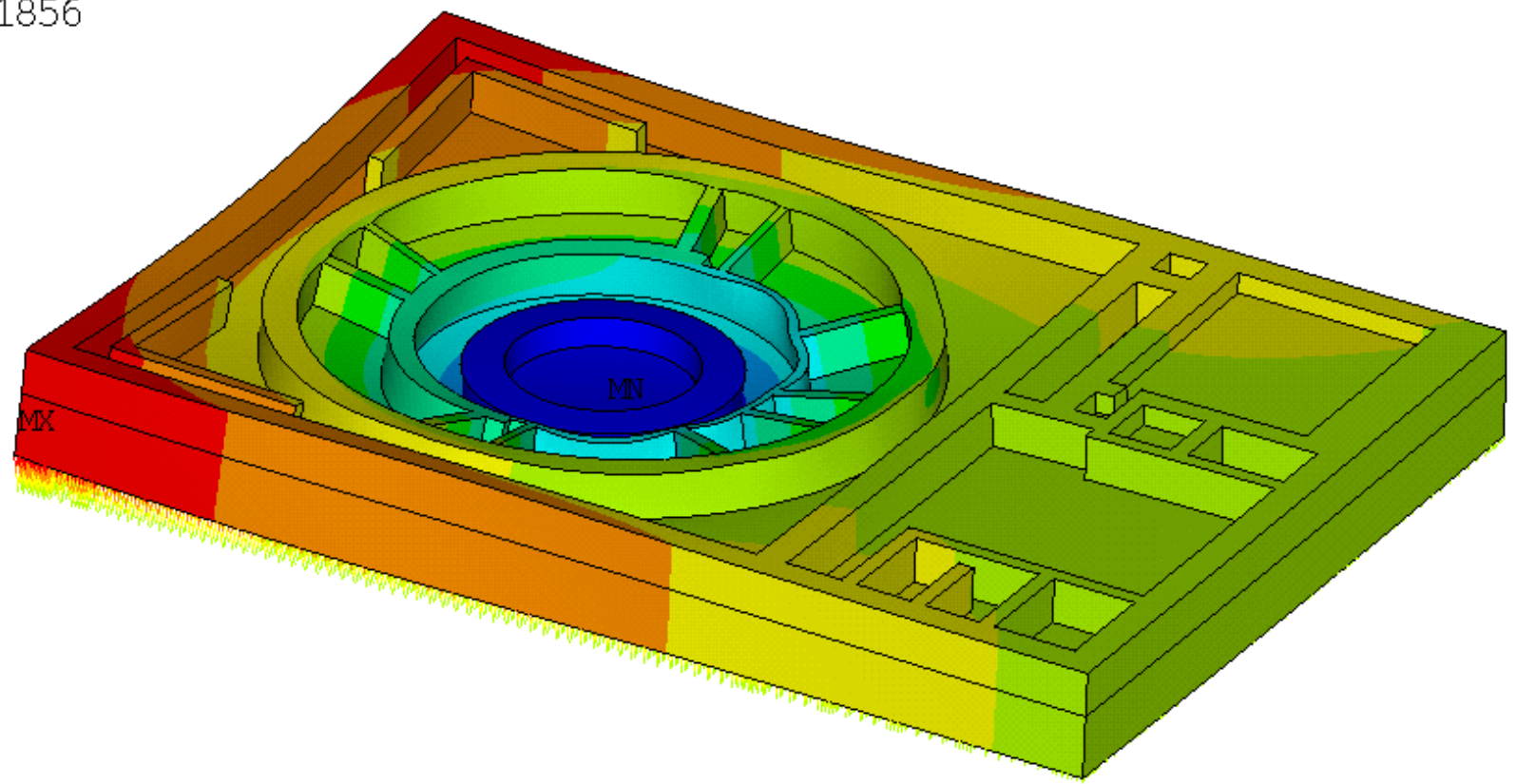
STEP=1
SUB =1
TIME=1
UZ
RSYS=0
DMX =.067904
SMN =-.067777



Dead Load

1

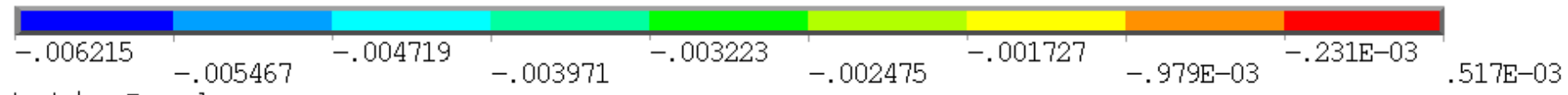
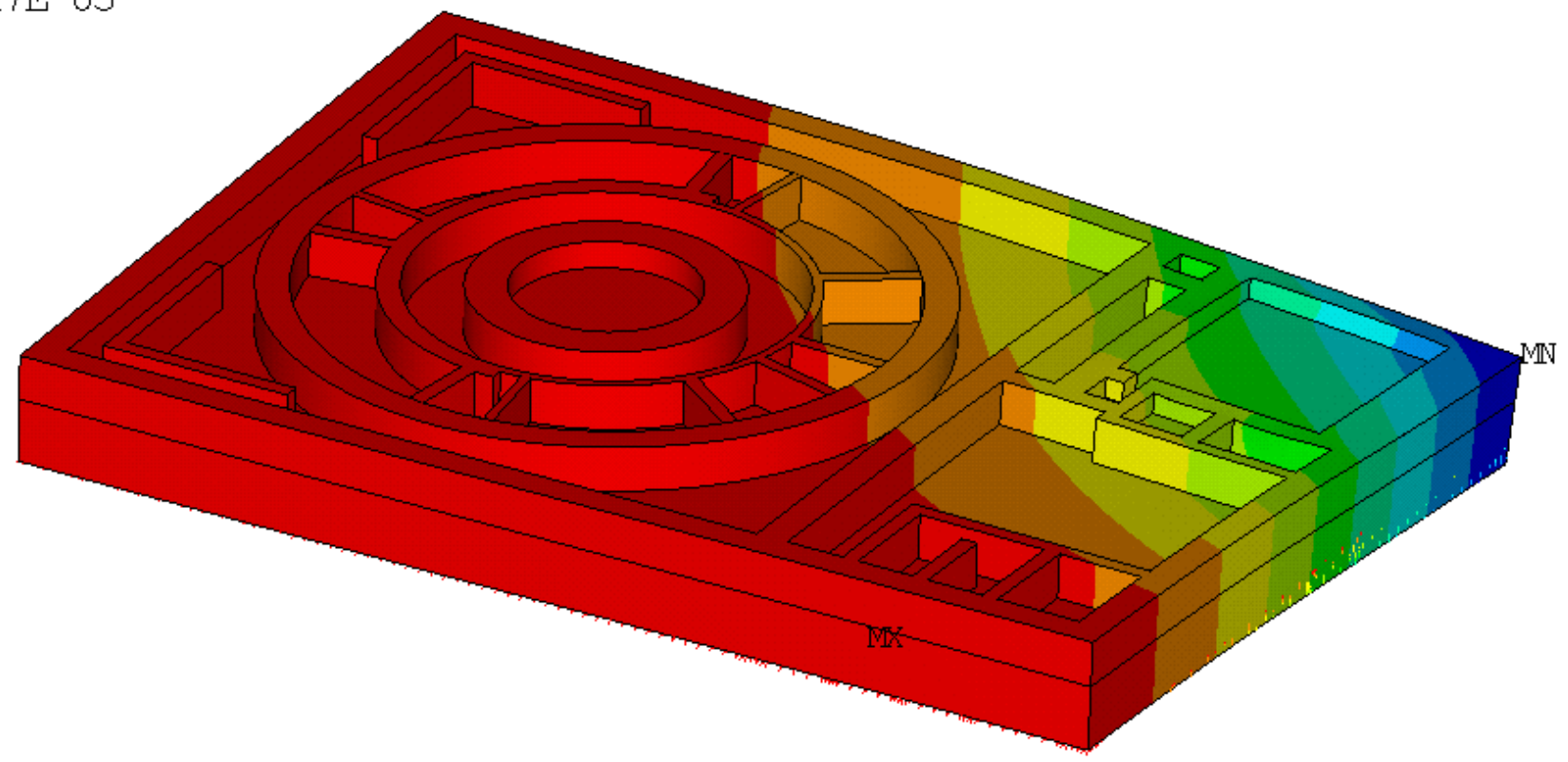
STEP=2
SUB =1
TIME=2
UZ
RSYS=0
DMX =.00275
SMN =-.00275
SMX =.001856



Pressure Load

1

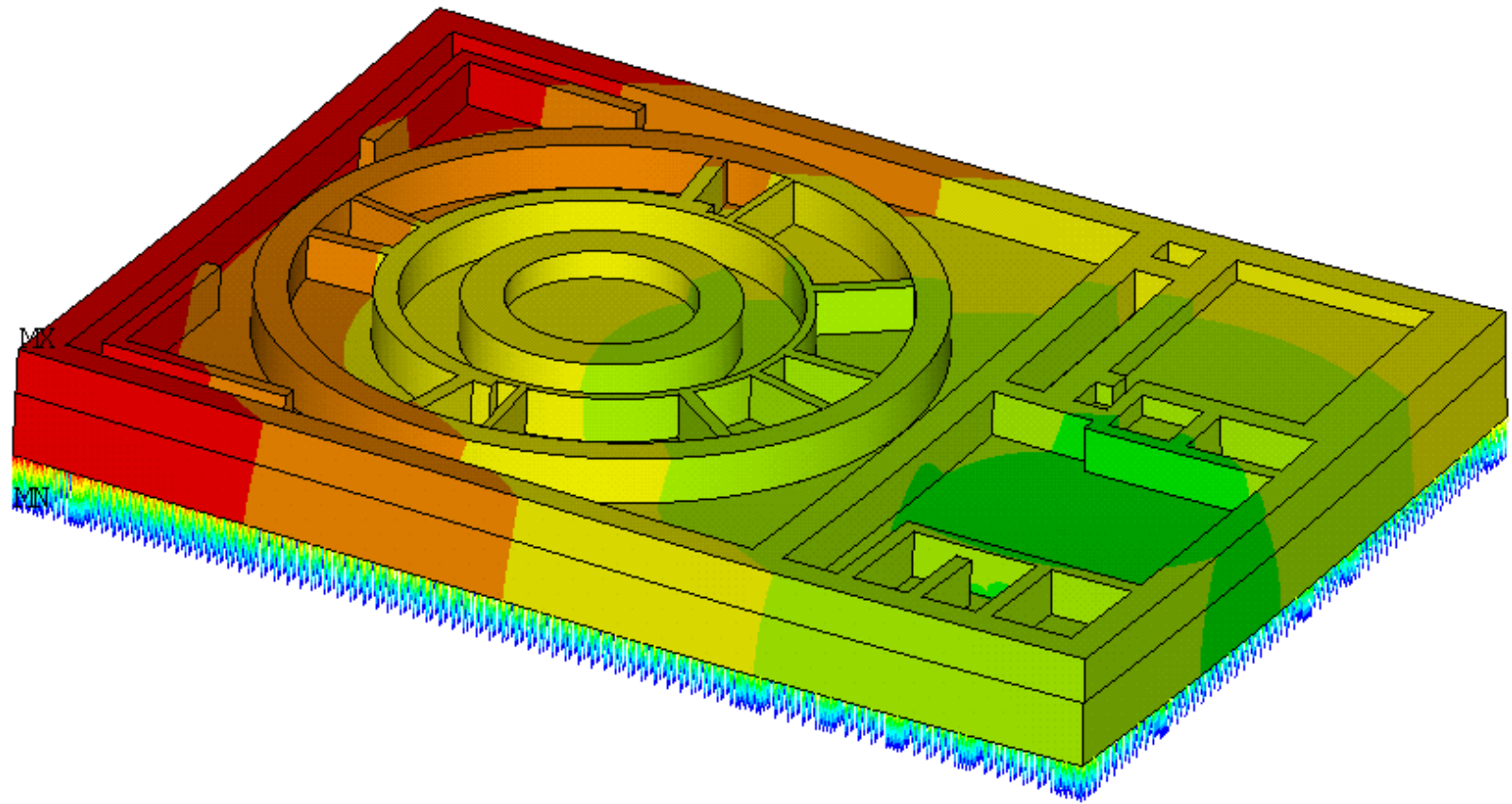
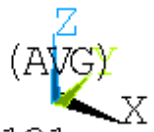
STEP=3
SUB =1
TIME=3
UZ
RSYS=0
DMX =.006344
SMN =-.006215
SMX =.517E-03



Hydrostatic Load

1

STEP=4
SUB =1
TIME=4
UZ
RSYS=0
DMX =.029121
SMX =.029074

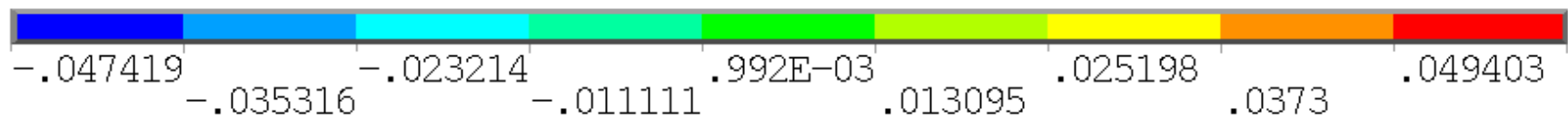
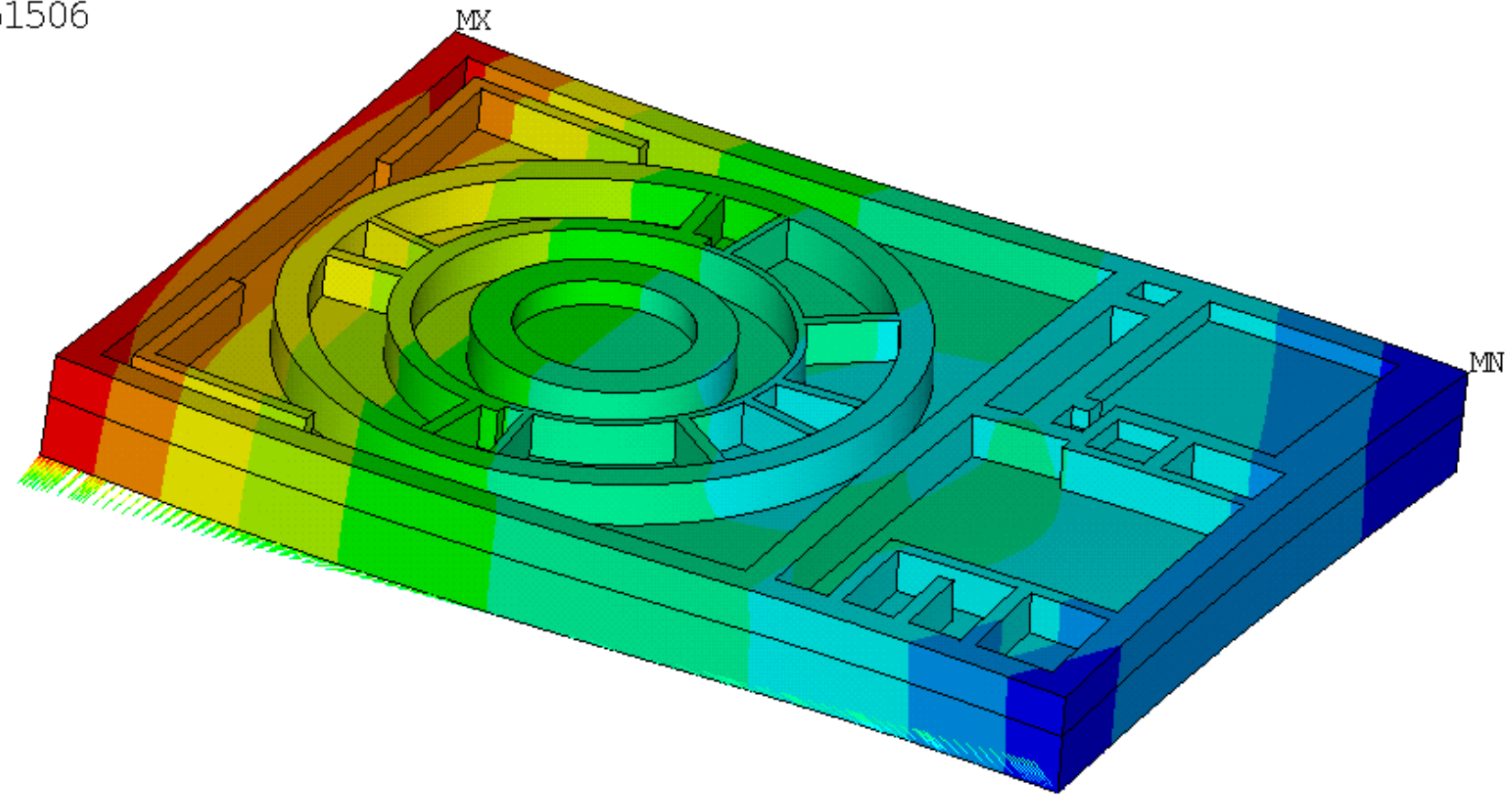


0 .00323 .006461 .009691 .012922 .016152 .019383 .022613 .025844 .029074

Vertical EQ

1

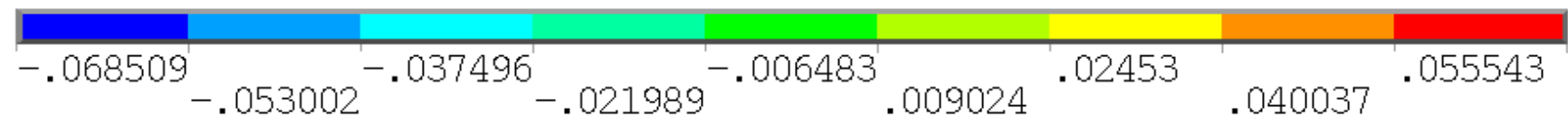
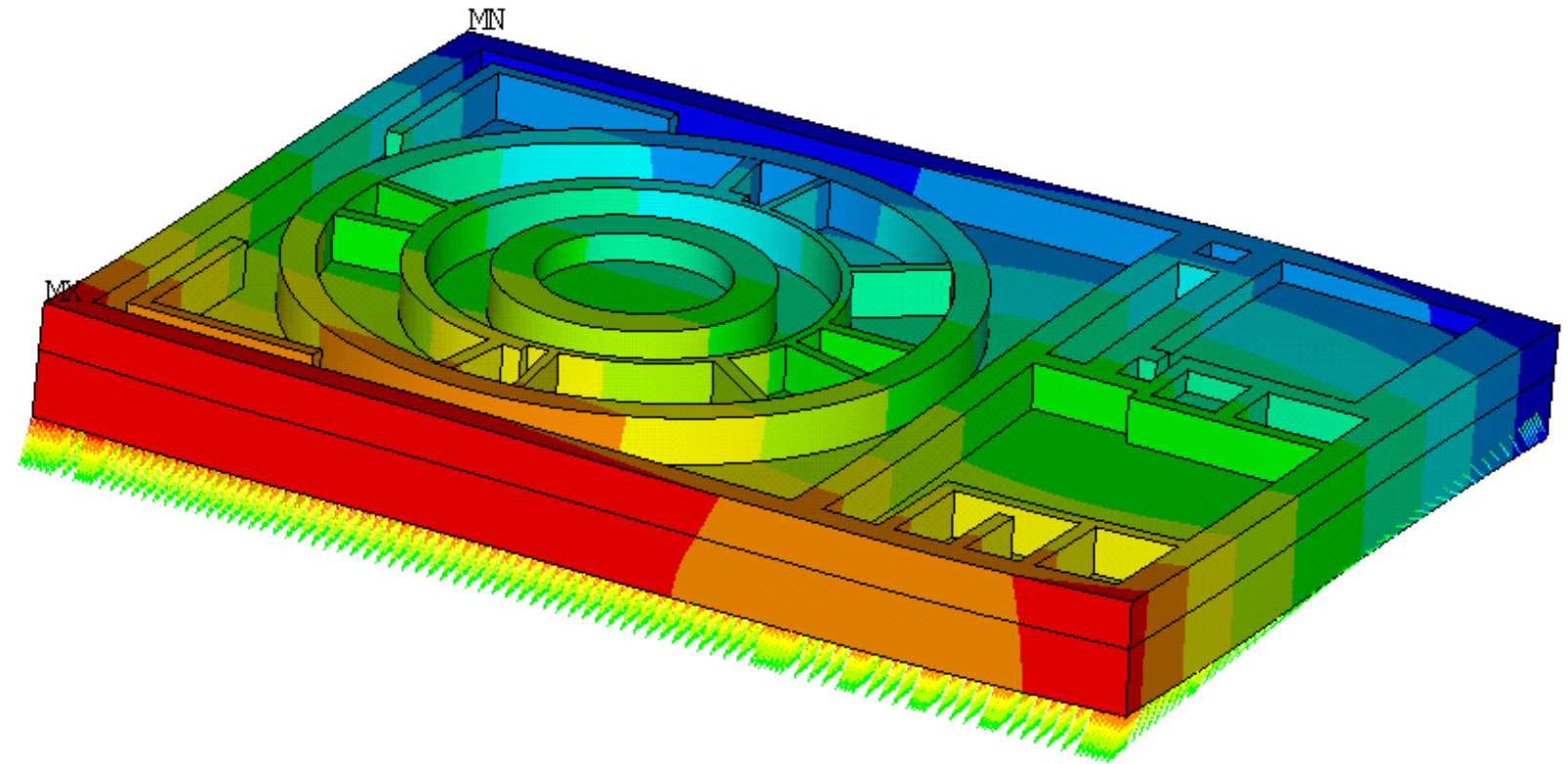
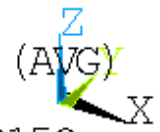
STEP=5
SUB =1
TIME=5
UZ
RSYS=0
DMX =.085494
SMN =-.047419
SMX =.061506



N-S EQ

1

STEP=6
SUB =1
TIME=6
UZ
RSYS=0
DMX =.099159
SMN =-.068509
SMX =.07105



E-W EQ