

SAFETY ANALYSIS REPORT
for
MODEL CNS 1-13C TYPE B SHIPPING PACKAGE

REV. 1
NOVEMBER 1992

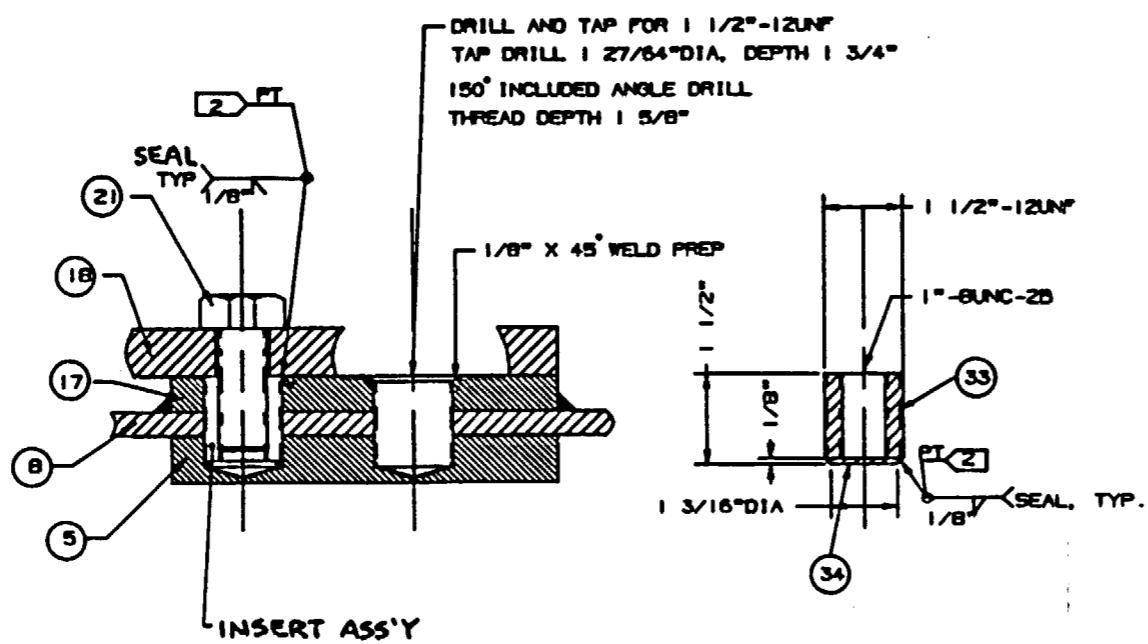
Submitted by:
Chem-Nuclear Systems, Inc.
140 Stoneridge Dr.
Columbia, SC 29210

1.3 APPENDIX

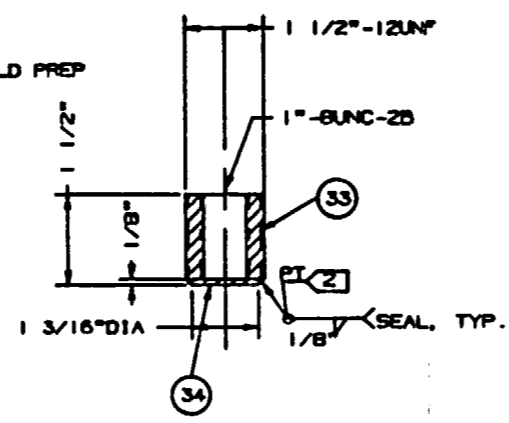
1.3.1 Chem-Nuclear Systems, Inc. Drawings

The CNS 1-13C Cask is fabricated in accordance with the following CNSI Drawings:

- Drawing No. C-110-E-0005, Rev. 5
- Drawing No. C-112-B-0006, Rev. A



DRILL AND TAP FOR 1 1/2"-12UNF
 TAP DRILL 1 27/64"DIA, DEPTH 1 3/4"
 150° INCLUDED ANGLE DRILL
 THREAD DEPTH 1 5/8"



INSERT ASS'Y
 CONSISTS OF ITEMS
 (33) (34)

**SI
 APERTURE
 CARD**

Also Available On
 Aperture Card

- NOTES:
 1) FOR GENERAL NOTES AND BILL OF MATERIALS SEE SHEET 1 OF 3
 2) WELDS SHALL BE LIQUID PENETRANT (PT) INSPECTED IN ACCORDANCE WITH ASME
 CODE SECTION III, DIV 1, SUBSECTION NB, ARTICLE NB-5000 AND SECTION V, ARTICLE 6

DIMENSIONS ARE IN INCHES UNLESS NOTED DO NOT SCALE PRINT TOLERANCES (UNLESS NOTED) HOLE DIA & LOC ± 1/32 DEC. X ± .1 DEC. XX ± .01 DEC. XXX ± .005 ANGLES ± 1° FRACTIONS ± 1/8 DOES NOT APPLY TO REFERENCE DIMENSIONS	PROJECT No. 25889	FSCM NUMBER 54643	CHEM-NUCLEAR SYSTEMS, INC.		
	FILE I.D. 00140305		CNSI 1-13C SHIPPING CASK		
	DRAWN BY R. BREHEN	11/24/92			
	CHECKED BY [Signature]	11/24/92			
	ENGINEER [Signature]	11/24/92	SIZE E	DRAWING NUMBER C-110-E-0005	REV. 5
	QUALITY ASSURANCE [Signature]	11/24/92	SCALE 1/1	VT. N/A	SHEET 3 OF 3
	APPROVAL [Signature]	11/24/92			

9211250185-03