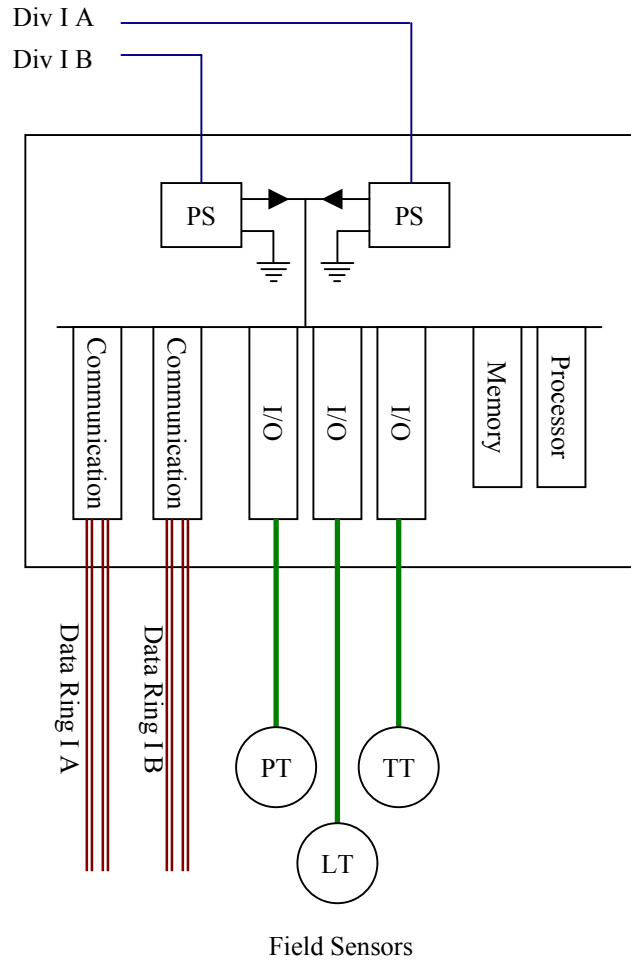
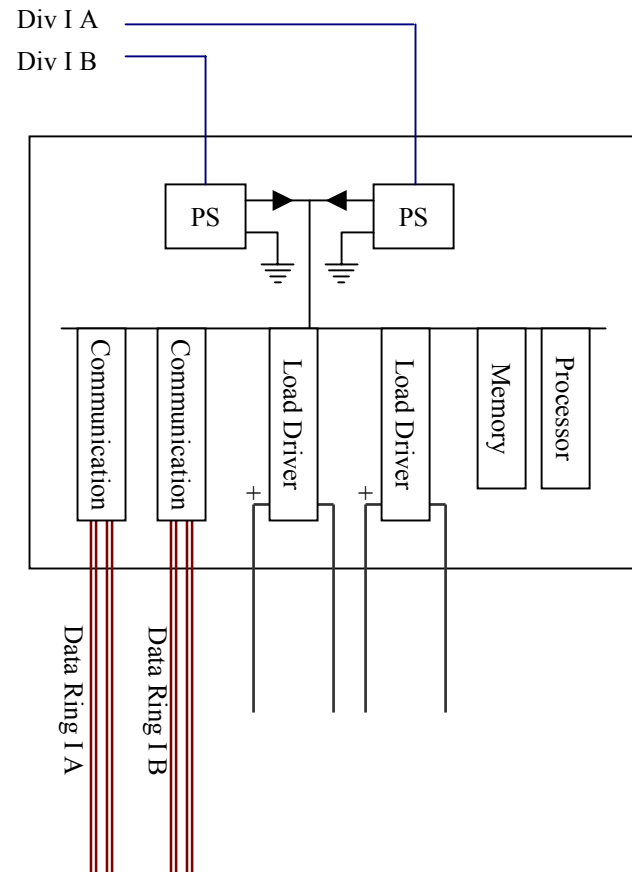





Data Acquisition Chassis (Division I, Typical)





Load Driver Chassis (Division I, Typical)

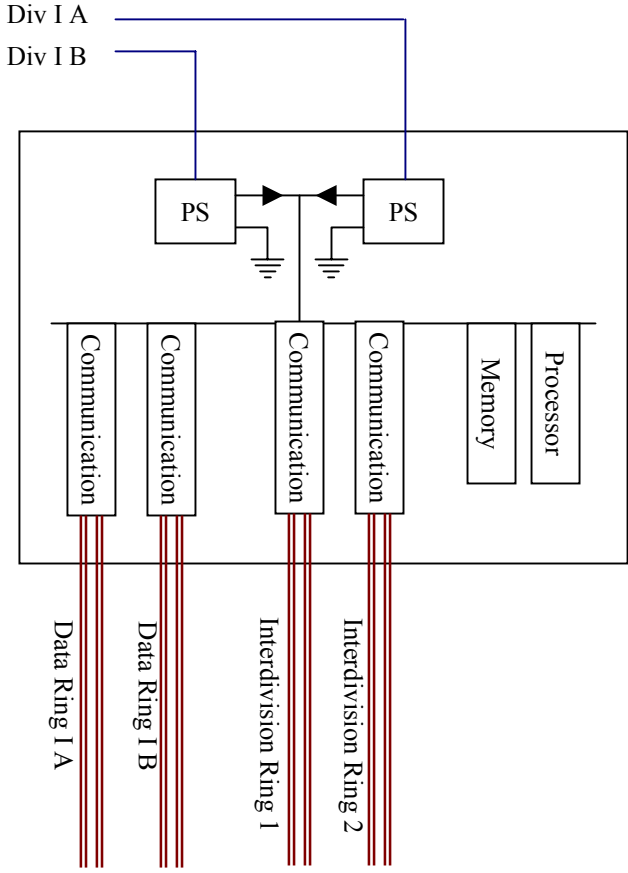


External Connections

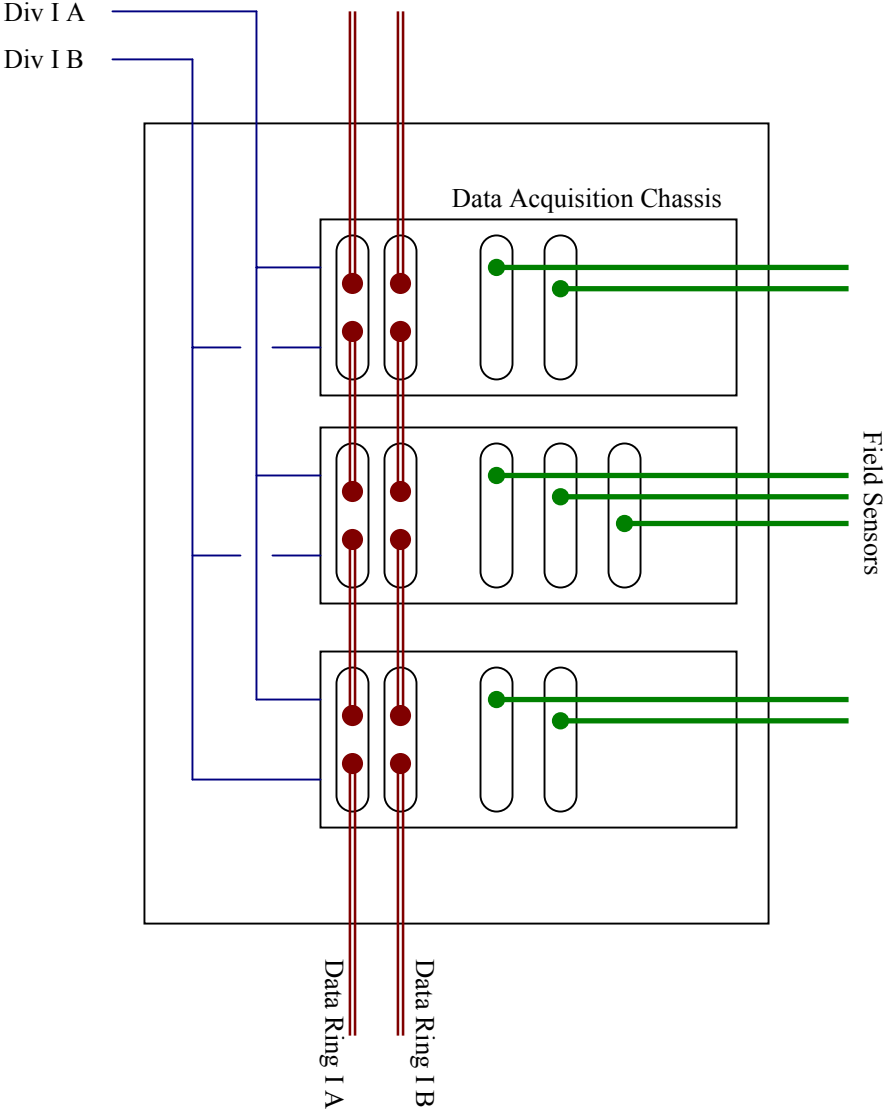
-  120 V Uninterruptible AC
-  4 – 20 mA Dual Conductor
-  Dual Counter-Rotating Fiber

-  120 V DC Single Conductor
-  120 V DC Dual Conductor

Logic Chassis (Division I, Typical)



Data Acquisition Cabinet (Division I, Typical)



Load Driver Cabinet Pair (Division I, Typical)

