



E-24031  
September 13, 2006

Mr. Joseph Sebrosky  
Spent Fuel Project Office, NMSS  
U.S. Nuclear Regulatory Commission  
11555 Rockville Pike M/S 0-6-F-18  
Rockville, MD 20852

Subject: NUHOMS<sup>®</sup> HD Storage System  
Docket No. 72-1030  
(TAC No. L23738)

Dear Mr. Sebrosky:

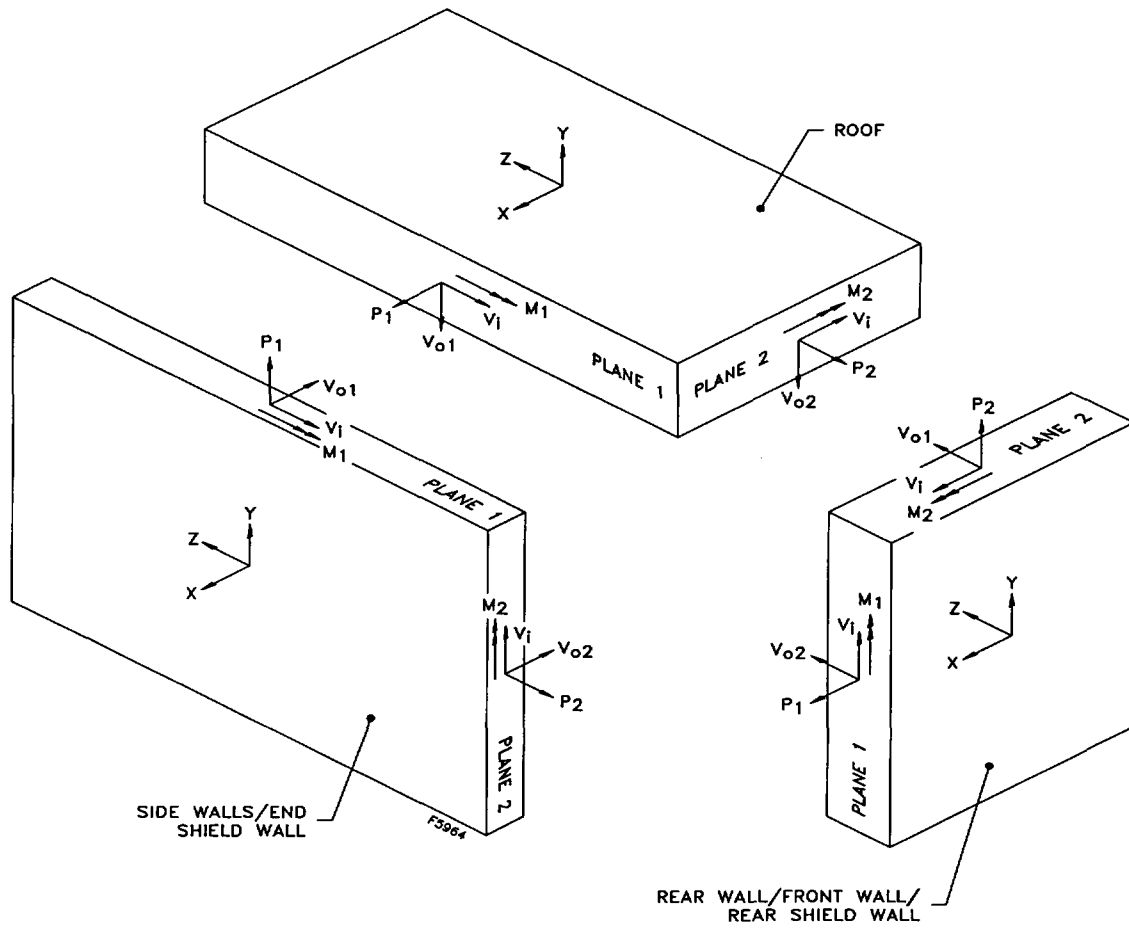
Transnuclear, Inc. hereby provides Figures 3.9.9-5 and 3.9.9-6 for the NUHOMS<sup>®</sup> HD System Safety Analysis Report, Revision 0, for your information.

If you have any questions regarding this submittal, please contact me at 410-910-6878 or Jayant Bondre at 410-910-6881.

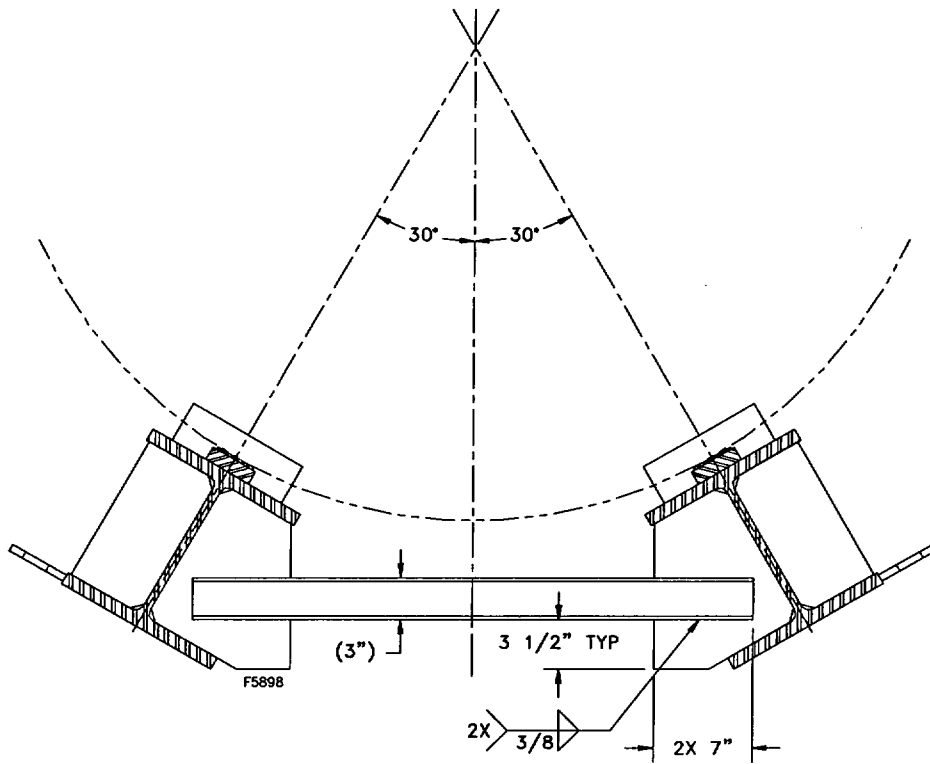
Sincerely,

Donis Shaw  
Licensing Manager

Enclosure: Six copies of NUHOMS<sup>®</sup> HD System Safety Analysis Report, Revision 0,  
Figure 3.9.9-5 and Figure 3.9.9-6

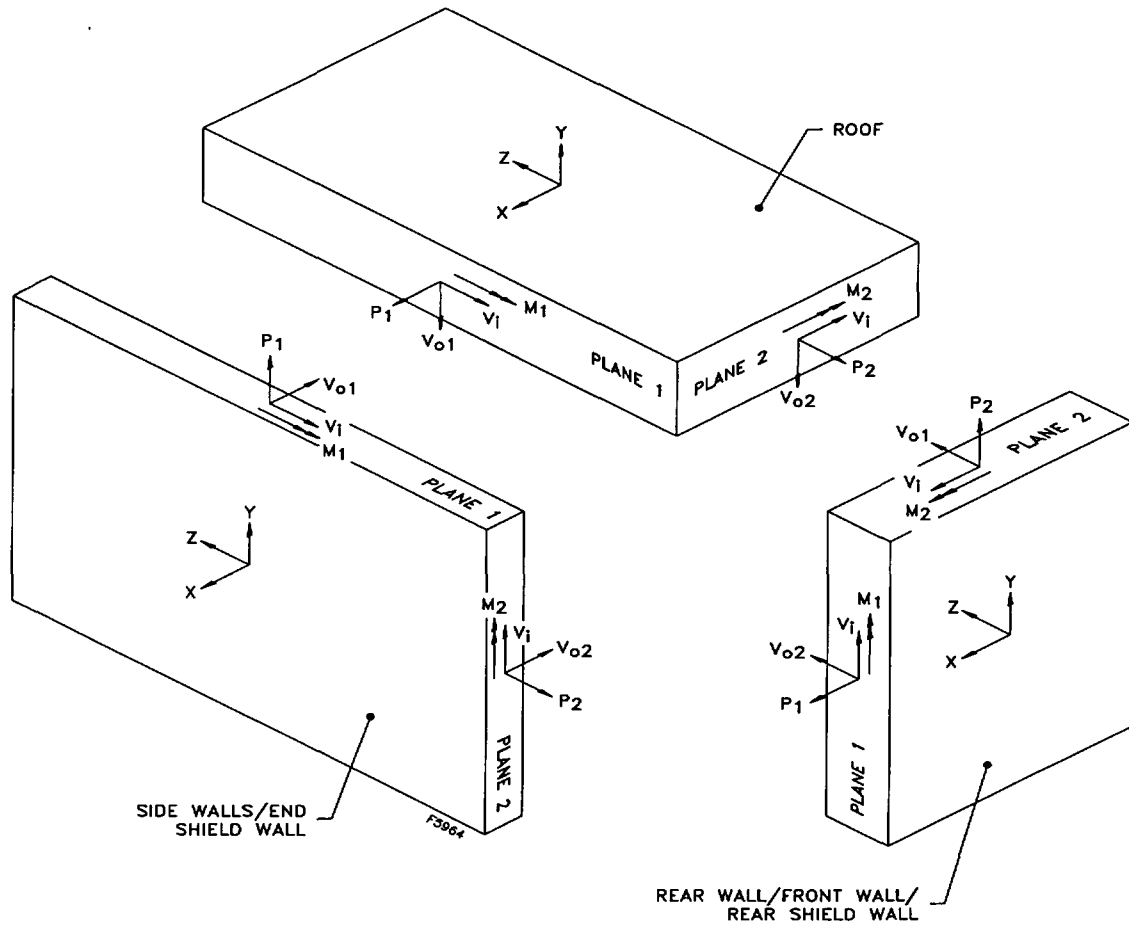


**Figure 3.9.9-5**  
**Symbolic Notations of Force and Moment Capacities**  
**(Also for Computed Forces and Moments)**

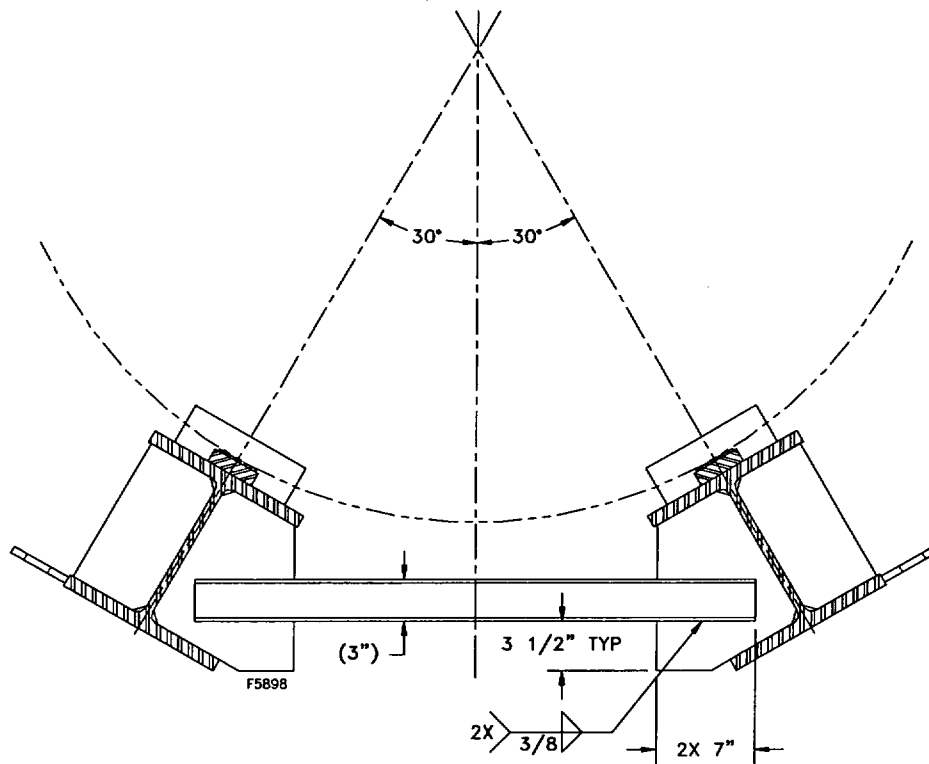


DSC SUPPORT STRUCTURE

**Figure 3.9.9-6**  
**Components of Support Structure**

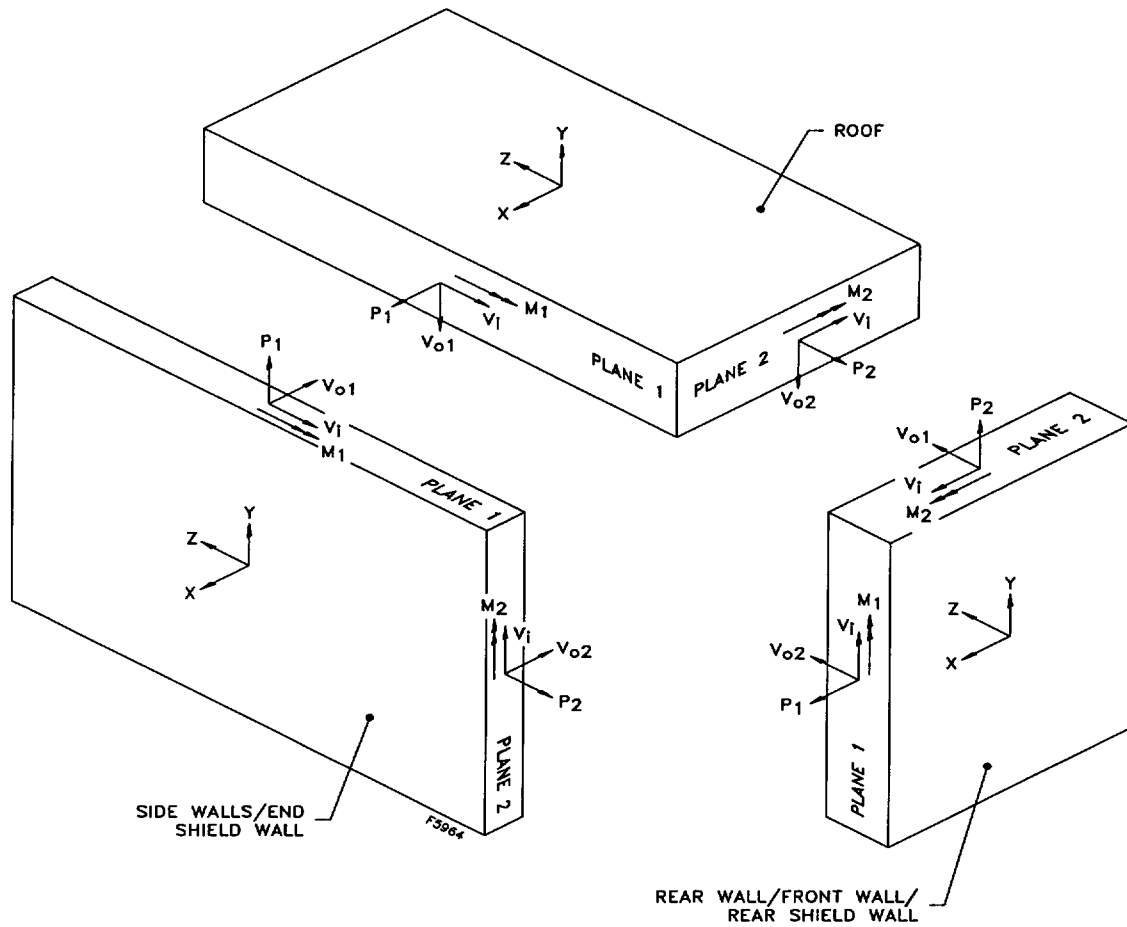


**Figure 3.9.9-5**  
**Symbolic Notations of Force and Moment Capacities**  
**(Also for Computed Forces and Moments)**

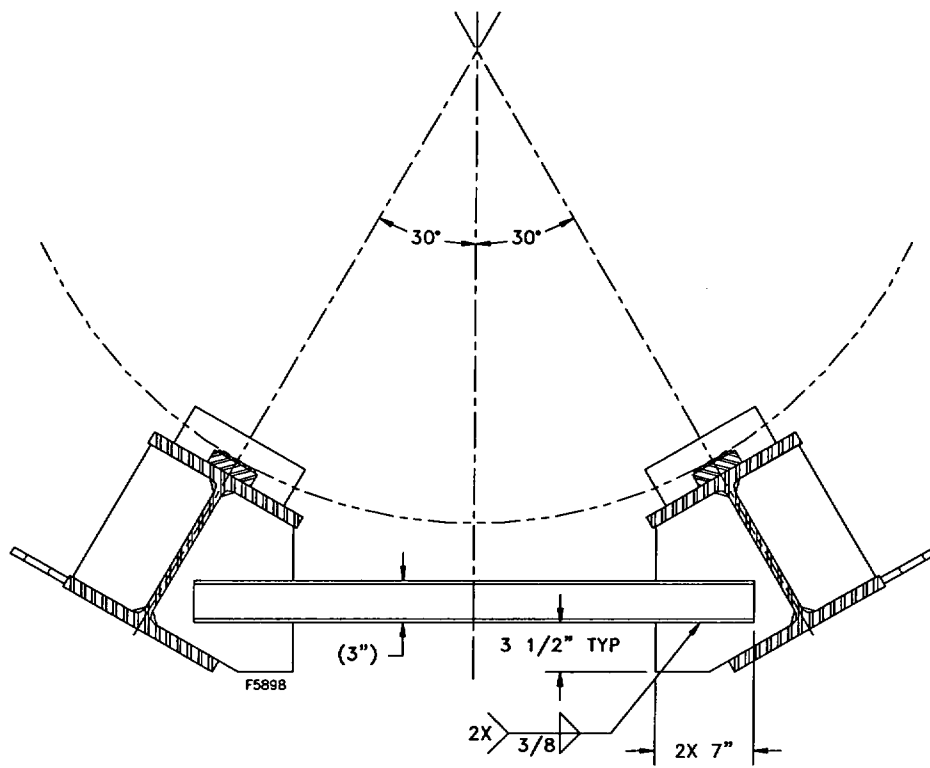


DSC SUPPORT STRUCTURE

**Figure 3.9.9-6**  
**Components of Support Structure**

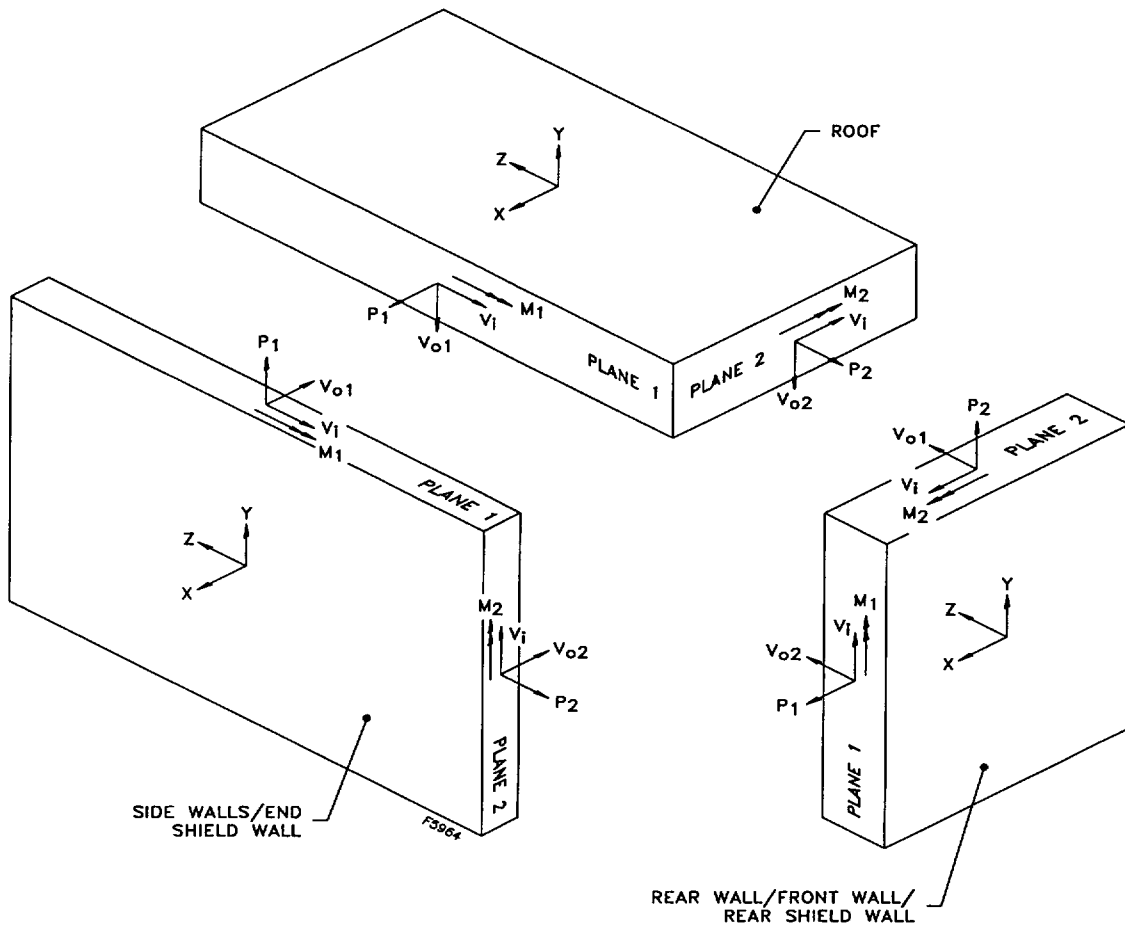


**Figure 3.9.9-5**  
**Symbolic Notations of Force and Moment Capacities**  
**(Also for Computed Forces and Moments)**

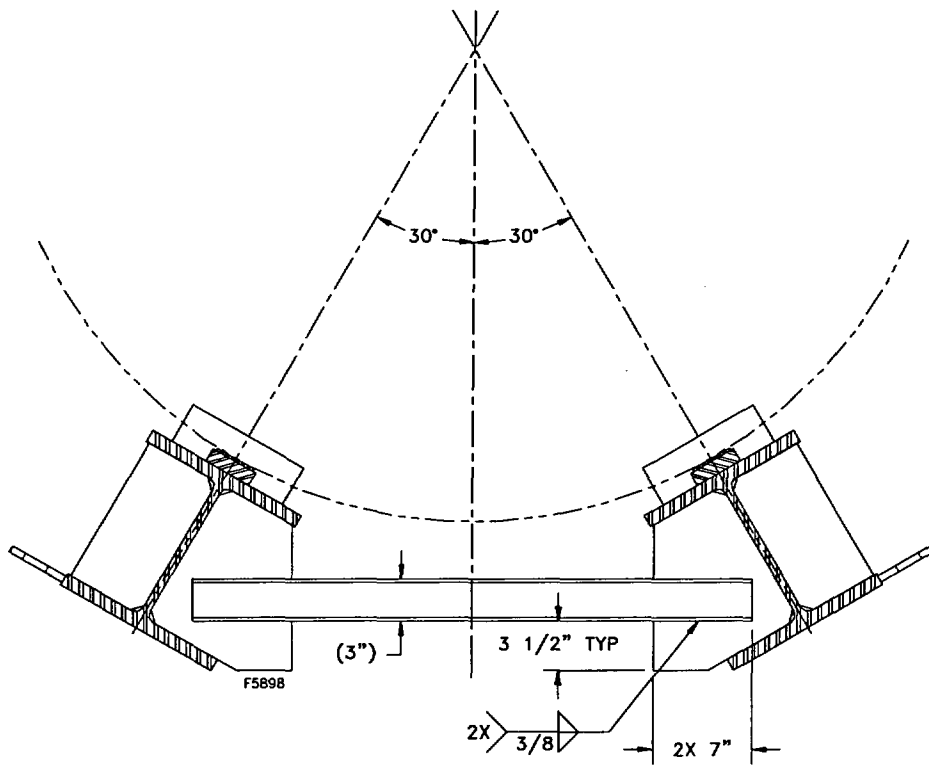


DSC SUPPORT STRUCTURE

**Figure 3.9.9-6**  
**Components of Support Structure**

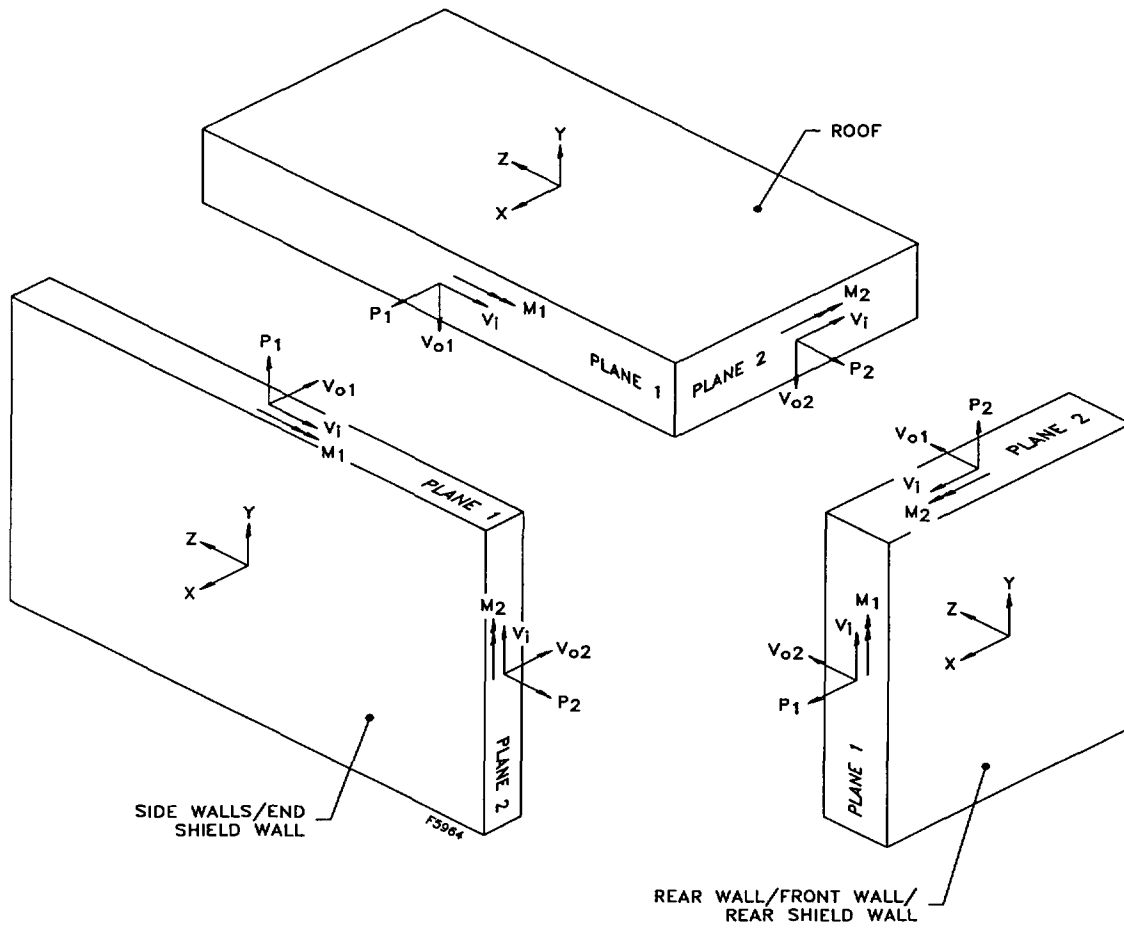


**Figure 3.9.9-5**  
**Symbolic Notations of Force and Moment Capacities**  
**(Also for Computed Forces and Moments)**

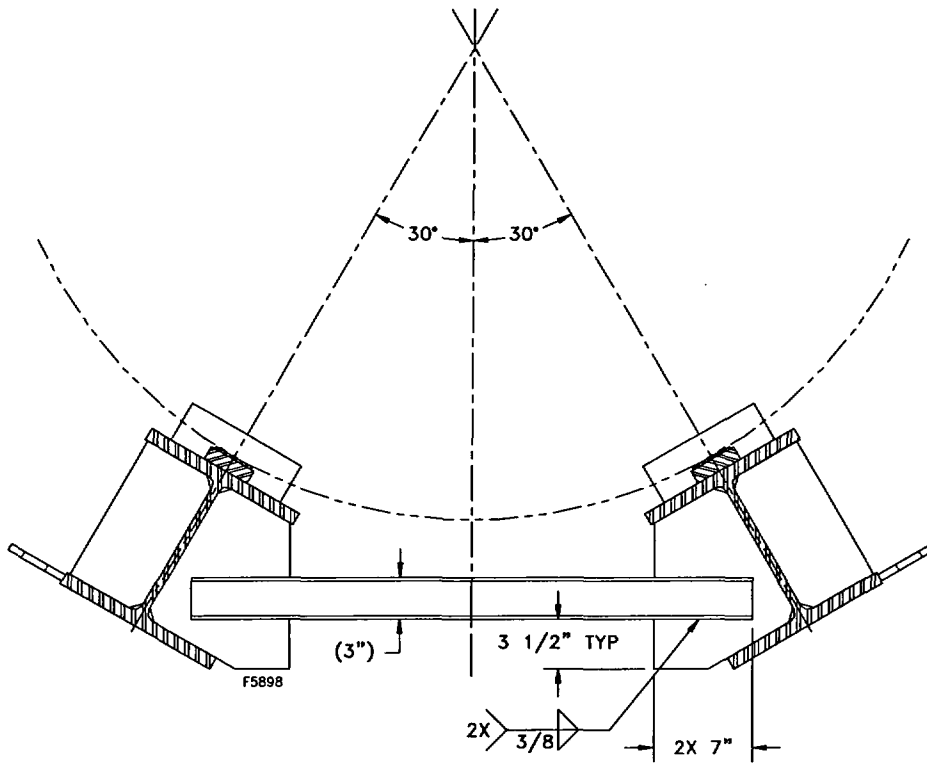


DSC SUPPORT STRUCTURE

**Figure 3.9.9-6**  
**Components of Support Structure**

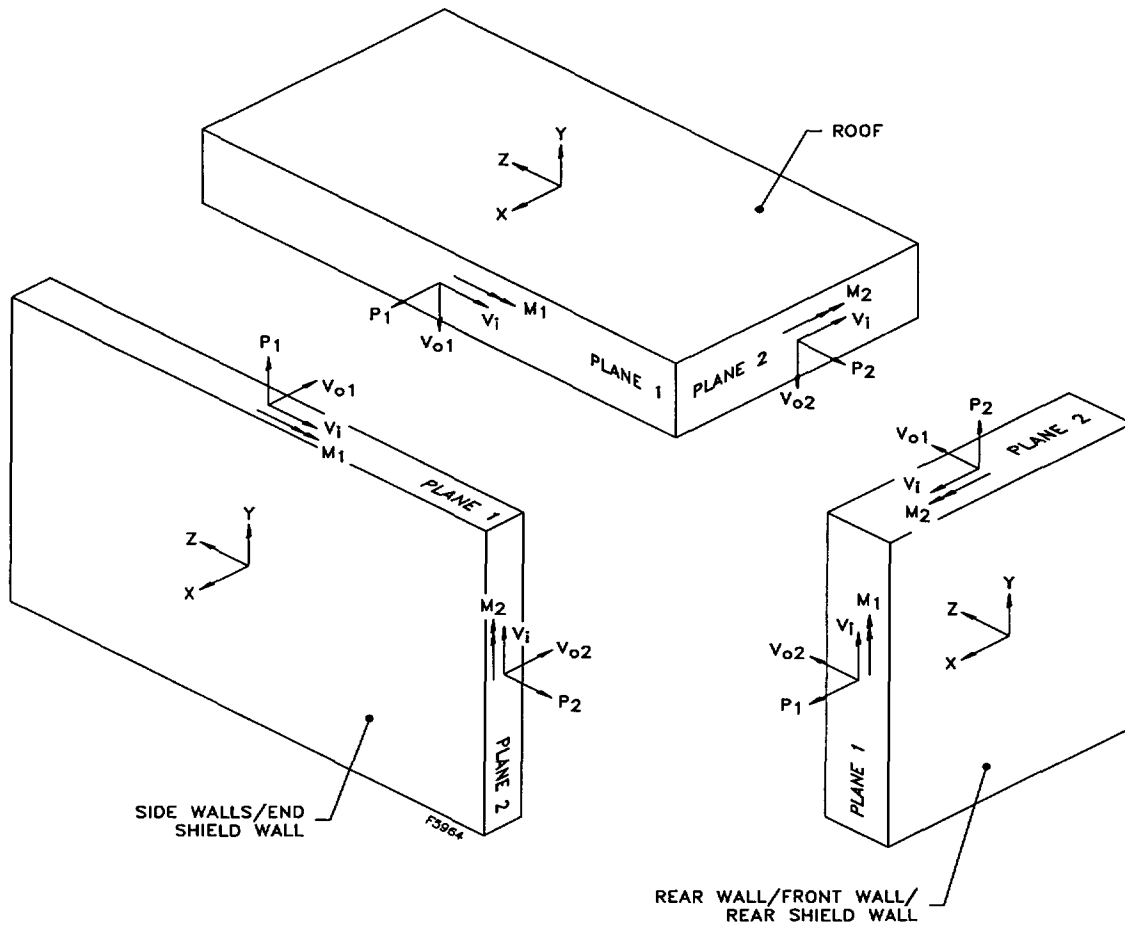


**Figure 3.9.9-5**  
**Symbolic Notations of Force and Moment Capacities**  
**(Also for Computed Forces and Moments)**

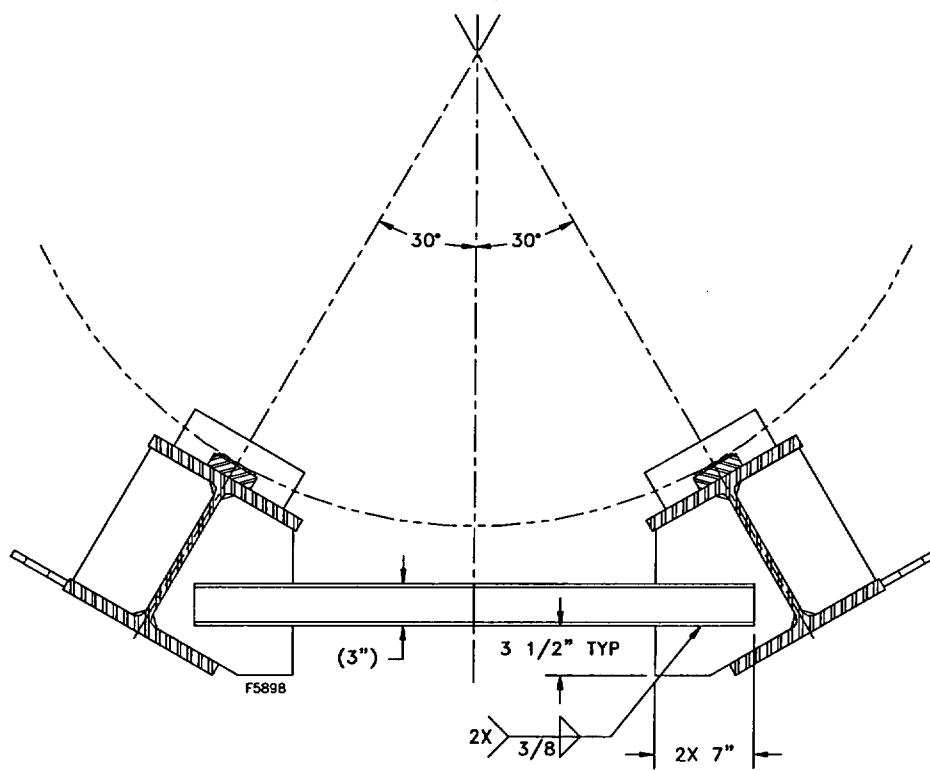


DSC SUPPORT STRUCTURE

**Figure 3.9.9-6**  
**Components of Support Structure**



**Figure 3.9.9-5**  
**Symbolic Notations of Force and Moment Capacities**  
**(Also for Computed Forces and Moments)**



DSC SUPPORT STRUCTURE

**Figure 3.9.9-6**  
**Components of Support Structure**