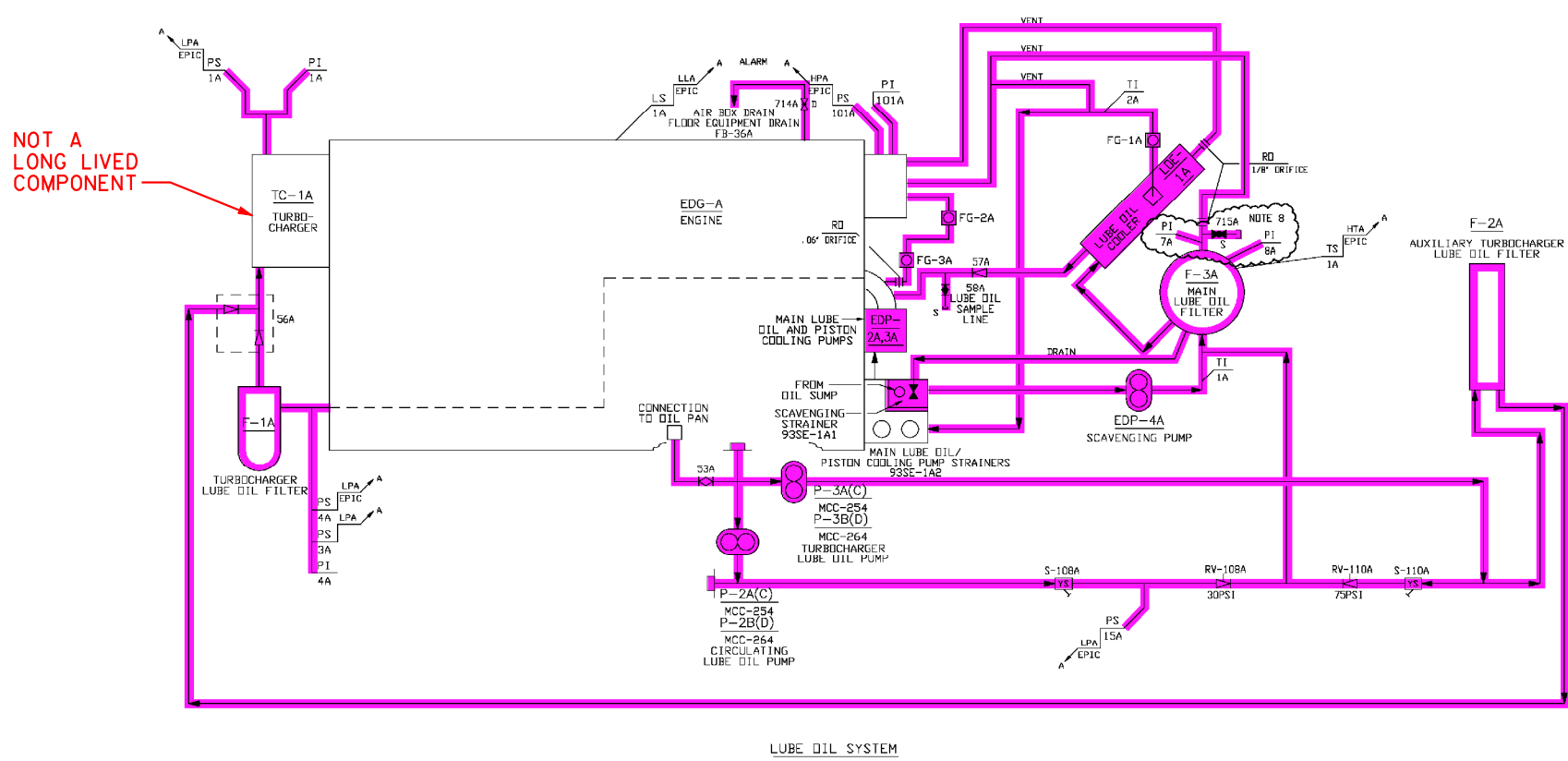


- NOTES**
1. ALL COMPONENT MARK NUMBERS PREFIXED 93 UNLESS OTHERWISE NOTED.
 2. ALL MANUAL VALVES PREFIXED EDG UNLESS OTHERWISE NOTED.
 3. THIS DWG. IS APPLICABLE TO EDG-A, EDG-B, EDG-C & EDG-D SIMILAR.
 4. INDICATES STANDBY HEATING CONVECTION FLOW.
 5. RIGHT BANK IS NORTH, LEFT BANK IS SOUTH.
 7. ALL MANUAL VALVES PREFIXED *EDG* UNLESS OTHERWISE NOTED.
 8. COMPONENTS FOR EDG MAIN LUBE OIL FILTER DP MONITORING AND SAMPLING WILL BE INSTALLED IN PHASES PER ER-JAF-03-01302 AND RELATED WORK ORDERS. SEE EDG FOR CURRENT CONFIGURATION STATUS.



SYSTEM INTENDED FUNCTION BOUNDARY

COMPONENTS SUBJECT TO AMR

EMERGENCY DIESEL GENERATOR SYSTEM AMM-12

REV	NO.	DESCRIPTION	DATE	BY	CHK'D	APP.	REV	NO.	DESCRIPTION	DATE	BY	CHK'D	APP.
8		INCORPORATED DRN-05-01265 ER-JAF-03-01302	7/6/05	PD	PCS	PCS	7	6/5/05	AS-BUILT PER DCR-01-144		DWC	RVB	-
6			6/7/00	AS-BUILT PER DCR-99-367		KMB	PJD	-	PJD	SKK			
5			5/27/00	AS-BUILT PER DCR-92-059		DH	JE	-	JE	-			
4			4/11/00	AS-BUILT PER DCR-90-305		DW	BS	-	BS	-			

QA. CAT. I

NUCLEAR SAFETY RELATED

JAMES A. FITZPATRICK
NUCLEAR POWER PLANT

FLOW DIAGRAM
ENGINE COOLING & LUBRICATION OIL
EMERGENCY DIESEL GENERATORS
SYSTEM 93

SCALE: NONE

DWG NO: FM-93C
SHEET OF: 8

REF: IST-FM-93C
FIG. OP-22-3

NO.	DATE	DESCRIPTION	BY	CHK	APP
0	2-15-06				

REVISIONS

LRA-FM-93C-0

CAD FILE: LRA-FM-93C_08.DGN
PLOT FILE: FM-93C_08.CAL