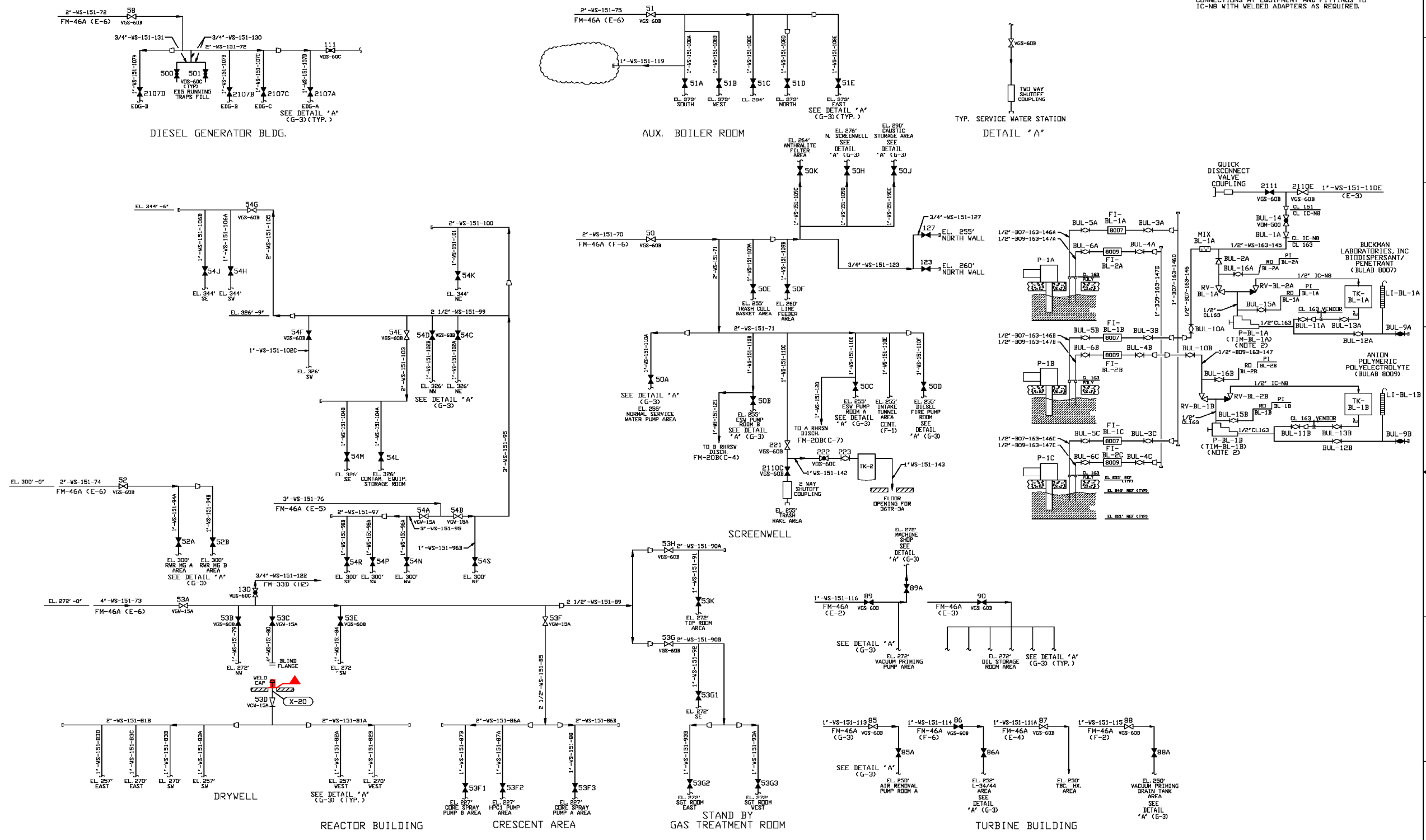


NOTE:
 1. GENERAL NOTES & REF DWGS. SEE FM-46A.
 2. 45TK-BL-1A/1B, 46MIX-BL-1A, 46BUL-2A AND 46RV-BLS MAY CONTAIN 1/2" TUBING WITH SWAGelok/THREADED CONNECTIONS AT EQUIPMENT AND FITTINGS TO IC-NB WITH WELDED ADAPTERS AS REQUIRED.



SYSTEM INTENDED FUNCTION BOUNDARY

COMPONENTS SUBJECT TO AMR

PRIMARY CONTAINMENT PENETRATIONS AMM-17

QA CAT. II/III

JAMES A. FITZPATRICK
 NUCLEAR POWER PLANT

FLOW DIAGRAM
 SERVICE WATER SYSTEM
 SYSTEM NO. 46

SCALE: NONE
 DWG NO: FM-46C
 SHEET 1 OF 1

REV: 16

| REV NO | DATE | DESCRIPTION | DWG | CHK | RE | APP |
|--------|---------|--|-----|-----|----|--------|
| 16 | 6/16/04 | AS BUILT PER MOD NO M1-95-117/DRN-03-00286 | KMB | JMC | - | JC JA |
| 15 | 3/5/03 | AS BUILT PER DCR-03-010 | KMB | JB | - | KM JME |
| 14 | 10/2/01 | AS BUILT PER DCR-01-205 | JB | KMB | - | KM SKK |
| 13 | 11/2/00 | AS BUILT PER DCR-99-312 | PJD | KMB | - | MM SKK |
| 12 | 9/2/00 | AS BUILT PER DCR-00-010 | DMC | PJD | - | KM TJA |
| 11 | 2/2/99 | AS BUILT PER DCR-98-471 | KMB | RVB | - | KM KF |

0 10-17-05

| NO. | DATE | DESCRIPTION | BY | ENG | CHK | APP |
|-----------|------|-------------|----|-----|-----|-----|
| REVISIONS | | | | | | |

LRA-FM-46C-0
 CAD FILE: LRA-FM-46C_16.DGN
 PLOT FILE: FM-46C_16.CAL

