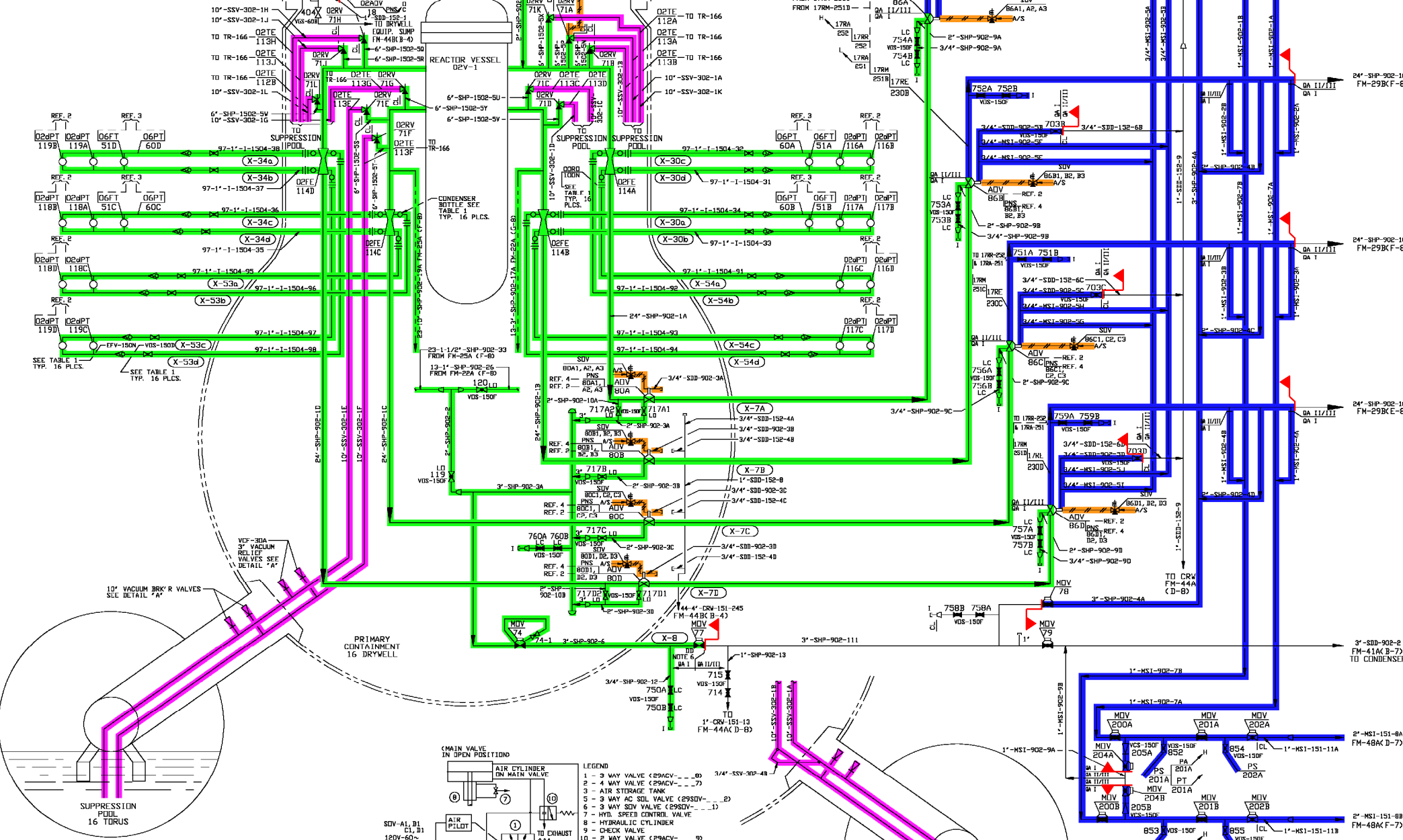


PIPE NUMBER	10" VACUUM BRK'R VALVE NUMBER	3" VACUUM RELIEF VALVE NUMBER
10"-SSV-302-1A	02VB-1	02RV-1
10"-SSV-302-1B	02VB-2	02RV-2
10"-SSV-302-1C	02VB-3	02RV-3
10"-SSV-302-1D	02VB-4	02RV-4
10"-SSV-302-1E	02VB-5	02RV-5
10"-SSV-302-1F	02VB-6	02RV-6
10"-SSV-302-1G	02VB-7	02RV-7
10"-SSV-302-1H	02VB-8	02RV-8
10"-SSV-302-1J	02VB-9	02RV-9
10"-SSV-302-1K	02VB-10	02RV-10
10"-SSV-302-1L	02VB-11	02RV-11

DETAIL "A"



NOTES

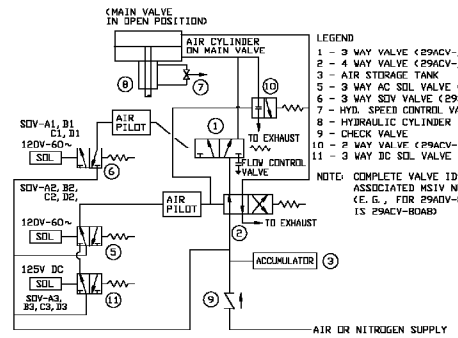
1. ALL COMPONENT MARK NUMBERS PREFIXED 29 UNLESS OTHERWISE NOTED.
2. ALL MANUAL VALVES PREFIXED MST UNLESS OTHERWISE NOTED.
3. ALL ILLT CONNECTIONS (C) ARE PIPING CLASS IC-NB BEGINNING AT THE DOWNSTREAM SIDE OF THE REDUCER TO THE 3/8" ILLT CONNECTION.
4. RM DENOTES REMOTE MANUAL.
5. LINE NO. PREFIXED: 1'-I-1504.
6. DD - DOUBLE DISK GATE VALVE WITH HOLE DRILLED ON UPSTREAM SIDE.
7. TUBING IS 304L/316L.

REFERENCES:

1. FLOW DIAGRAM SYMBOLS FM-14A.
2. NUCLEAR BOILER/MSVC SYSTEMS FUNCTIONAL CONTROL DIAGRAM, G.E. DWG. 730E149BA(S&W FILE 16.04-20&21)
3. FEEDWATER CONTROL DIAGRAM G.E. DWG. 719E596BA(S&W FILE 16.06-13)
4. REACTOR PROTECTION SYSTEM, G.E. DWG. 729E222BA(S&W FILE 16.05-1, 2 & 3)
5. REACTOR WATER CLEANUP SYSTEM FM-24A.

LINE # (NOTE 5)	PENE.	COND. BOTTLE	R. O.	VOS-150D	EFV
31	X-30d	02CCH-31	02RD-31	1030D	30D
32	X-30c	02CCH-32	02RD-32	1030C	30C
33	X-30b	02CCH-33	02RD-33	1030B	30B
34	X-30a	02CCH-34	02RD-34	1030A	30A
35	X-34d	02CCH-35	02RI-35	1034D	34D
36	X-34c	02CCH-36	02RI-36	1034C	34C
37	X-34b	02CCH-37	02RI-37	1034B	34B
38	X-34a	02CCH-38	02RI-38	1034A	34A
91	X-54a	02CCH-91	02RD-91	1054A	54A
92	X-54b	02CCH-92	02RD-92	1054B	54B
93	X-54c	02CCH-93	02RD-93	1054C	54C
94	X-54d	02CCH-94	02RD-94	1054D	54D
95	X-53a	02CCH-95	02RD-95	1053A	53A
96	X-53b	02CCH-96	02RD-96	1053B	53B
97	X-53c	02CCH-97	02RD-97	1053C	53C
98	X-53d	02CCH-98	02RD-98	1053D	53D

TABLE 1



TYPICAL ARRANGEMENT FOR MSIV PNEUMATIC CONTROL ASSEMBLY (CIRCUIT SHOWN WITH MSIV OPEN)

LEGEND

- 1 - 3 WAY VALVE (29ACV-...)
- 2 - 4 WAY VALVE (29ACV-...)
- 3 - AIR STORAGE TANK
- 4 - 3 WAY AC SEL VALVE (29SDV-...)
- 5 - 3 WAY SDV VALVE (29SDV-...)
- 6 - 3 WAY SDV VALVE (29SDV-...)
- 7 - INTL. SPEED CONTROL VALVE
- 8 - HYDRAULIC CYLINDER
- 9 - CHECK VALVE
- 10 - 2 WAY VALVE (29ACV-...)
- 11 - 3 WAY SEL VALVE (29SDV-...)

NOTE: COMPLETE VALVE ID'S WITH ASSOCIATED MSIV NUMBER. (E.G., FOR 29ACV-80A, ITEM #1 IS 29ACV-80A8)

COMPONENTS SUBJECT TO AMR

- AUTOMATIC DEPRESSURIZATION SYSTEM AMM-04
- STANDBY GAS TREATMENT SYSTEM AMM-07
- INSTRUMENT AIR SYSTEM AMM-20
- REACTOR COOLANT SYSTEM PRESSURE BOUNDARY AMM-33

QA CAT. I, II/III

NUCLEAR SAFETY RELATED

JAMES A. FITZPATRICK
NUCLEAR POWER PLANT

FLOW DIAGRAM MAIN STEAM SYSTEM 29

DATE: _____

NO.	DATE	DESCRIPTION	BY	CHK	APP
53	10/6/04	INCORPORATED DRN-04-06151 ER-JAF-04-35970	PD	RVB	MEC

REV	NO.	DATE	DESCRIPTION	BY	CHK	APP	
52	AS BUILT	PER	DCR-01-253	KB	PJD	KM	SKK
51	AS BUILT	PER	MOB NO D1-98-008	RVB	PJD	HM	SKK

Entergy Nuclear Northeast

SCALE: NONE

DWG NO: FM-29A

REV: 53

SHEET 1 OF 1

REF: 1ST-FM-29A EC-FM-29A

04-13-06

LRA-FM-29A-0

LRA-FM-29A-53.DGN

FM-29A-53.CAL