

8

7

6

5

4

3

2

1

H  
G  
F  
E  
D  
C  
B  
A

JW, NED

H  
G  
F  
E  
D  
C  
B  
A

- NOTES:
1. ALL COMPONENT MARK NUMBERS PREFIXED 23 UNLESS OTHERWISE NOTED.
  2. ALL MANUAL VALVES PREFIXED 'HP1' UNLESS OTHERWISE NOTED.
  3. ALL INSTRUMENTATION POWERED FROM STATION BATTERY VIA VITAL AC SYSTEM.

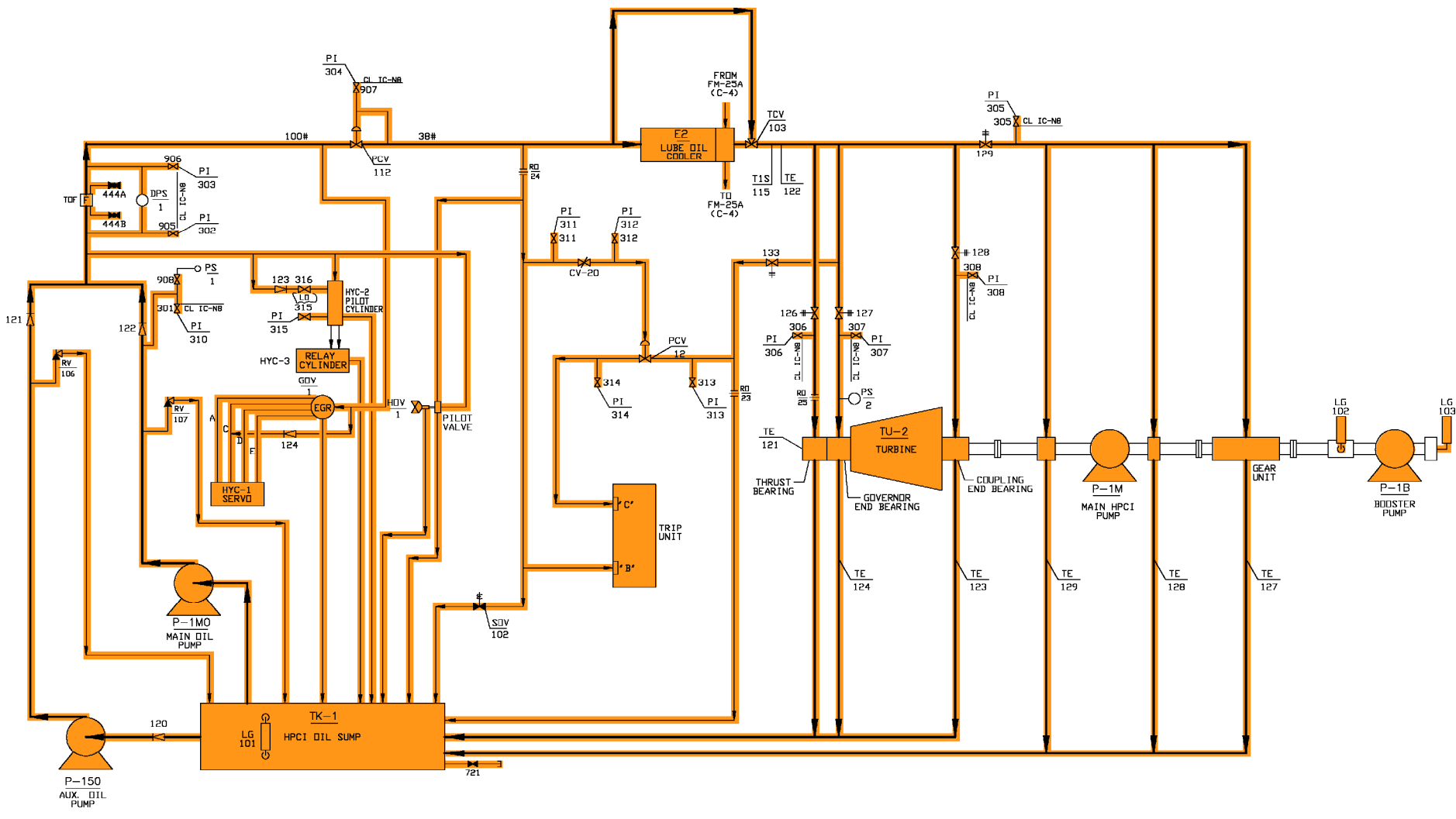


FIG. DP-15-1 FM-25A

SYSTEM INTENDED FUNCTION BOUNDARY

COMPONENTS SUBJECT TO AMR

HIGH PRESSURE COOLANT INJECTION SYSTEM AMM-05

THE ORIGINAL TRACING FOR THIS DRAWING WAS PREPARED BY: STONE & WEBSTER CORP.

A RECORD OF THE ORIGINAL DOCUMENT WITH APPROVAL INITIALS/SIGNATURES AND THE P.E. SEAL, AND SUBSEQUENT REVISIONS THEREOF WITH APPROVAL INITIALS/SIGNATURES, IS MAINTAINED IN THE FILES OF THE NEW YORK POWER AUTHORITY. THIS DOCUMENT WAS ELECTRONICALLY STORED AT REVISION 16.

REV NO	DATE	DESCRIPTION	DWN	CHK	REL	VFY	APP
31	01/19/01	AS-BUILT PER DCR-01-209	KHB	RVB	-	KH	SKK
30	02/01/01	AS-BUILT PER DCR-01-006	KB	JB	-	MM	SKK
29	02/01/99	AS-BUILT PER DCR-99-254	PJB	KHB	-	KH	SKK
28	02/01/97	AS-BUILT PER DCR-97-138	KHB	RVB	-	PJB	SKK

DWN  
CHK'D  
R. E.  
VERIF.  
APPROV.  
DATE

FLOW DIAGRAM  
HPCI LUBE OIL SYSTEM  
SYSTEM 23

SCALE NONE  
DWG NO FM-25B  
SHEET 31 OF 31

Entergy  
Nuclear Northeast

NO.	DATE	DESCRIPTION	BY	ENG	CHK	APP
0	6-29-05					

REVISIONS

LRA-FM-25B-0

CAD FILE  
LRA-FM-25B\_31.DGN  
PLOT FILE  
FM-25B\_31.CAL

8

7

6

5

4

3

2

1

FIG. DP-15-2