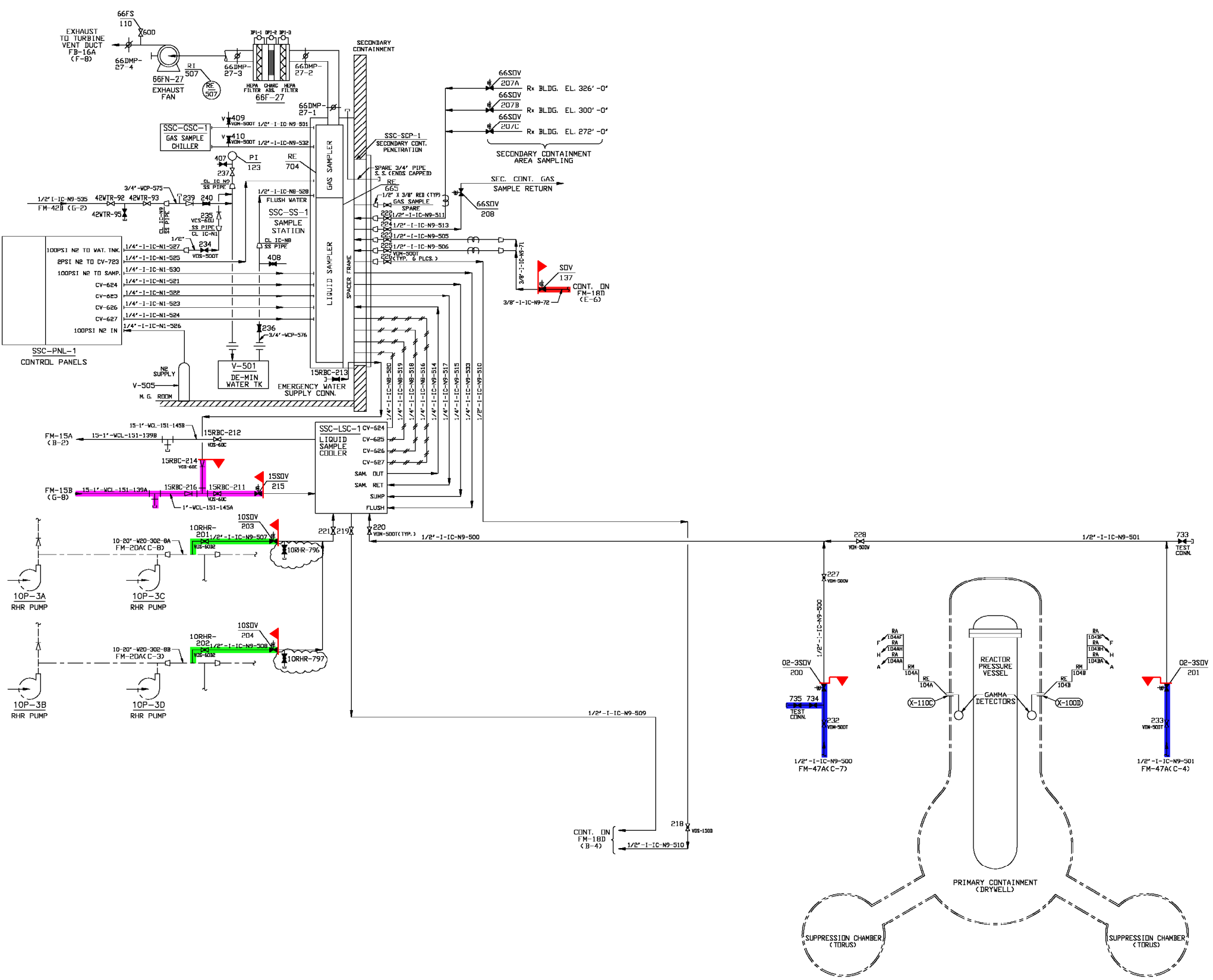


NOTES  
 1. ALL MANUAL VALVES PREFIXED CAD UNLESS OTHERWISE NOTED.  
 2. ALL COMPONENT MARK NUMBERS PREFIXED 27 UNLESS OTHERWISE NOTED.  
 3. FOR DIAGRAMS OF 27SSC-GSC-1, 27SSC-SS-1, AND 27SSC-LSC-1, SEE DRAWINGS B.3-1, 2, & 3.

REFERENCES  
 1. FLOW DIAGRAM SYMBOLS FM-14A.  
 2. DRYWELL INERTING CAD & PURGE FM-18A & 18E.



SYSTEM INTENDED FUNCTION BOUNDARY

- COMPONENTS SUBJECT TO AMR
- █ RESIDUAL HEAT REMOVAL SYSTEM AMM-02
  - █ PRIMARY CONTAINMENT ATMOSPHERE CONTROL AND DILUTION SYSTEM AMM-08
  - █ SERVICE WATER SYSTEMS AMM-11
  - █ REACTOR COOLANT SYSTEM PRESSURE BOUNDARY AMM-33

THE ORIGINAL TRACING FOR THIS DRAWING WAS PREPARED BY: STONE & WEBSTER CORP.

A RECORD OF THE ORIGINAL DOCUMENT WITH APPROVAL INITIALS/SIGNATURES AND THE P.E. SEAL AND SUBSEQUENT REVISIONS THEREOF WITH APPROVAL INITIALS/SIGNATURES, IS MAINTAINED IN THE FILES OF THE NEW YORK POWER AUTHORITY.

THIS DOCUMENT WAS ELECTRONICALLY STORED AT REVISION 3.

QA CAT. I, II/III  
 NUCLEAR SAFETY RELATED

DESIGNER: JAMES A. FITZPATRICK  
 NUCLEAR POWER PLANT

DISCIPLINE ENG: FLOW DIAGRAM  
 NUREG 0578 IMPLEMENTATION  
 & POST ACCIDENT SAMPLING  
 SYSTEM 27

REV	DATE	DESCRIPTION	DWN	CHK	RE	VEY	APP
19	3/8/01	AS BUILT PER DCR-01-115	KMB	JB	-	NH	SKK
18	6/5/00	AS BUILT PER DCR-00-121	RVB	KMB	-	KH	SKK
17	2/2/99	AS BUILT PER DCR-98-464	RVB	KMB	-	KH	SKK
16	3/7/97	AS BUILT PER DCR-97-036	KMB	KF	-	SKK	-
15	1/8/96	AS BUILT PER DCR-96-196	RVB	PJB	-	SKK	-
14	3/26/95	AS BUILT PER DCR-95-273	JB	IS	-	SKK	-
13	2/15/95	AS BUILT PER DCR-95-216	JB	JAG	-	SKK	-
REV	DATE	DESCRIPTION	DWN	CHK	RE	VEY	APP

Entergy Nuclear Northeast

SCALE: NONE  
 DWG NO: FM-18C  
 SHEET OF: 19

0 3-3-06  
 NO. DATE DESCRIPTION BY ENG CHK APP  
 REVISIONS

LRA-FM-18C-0  
 CAD FILE: LRA-FM-18C\_19.DGN  
 REVISED FILE: FM-18C\_19.CAL

REF: ISI-FM-18C