

Braidwood Unit 1
Pressurizer Heater # 52
Tube Leakage

Exelon/NRC Teleconference

May 31, 2006

Coupling to Pressure Tube Assembly

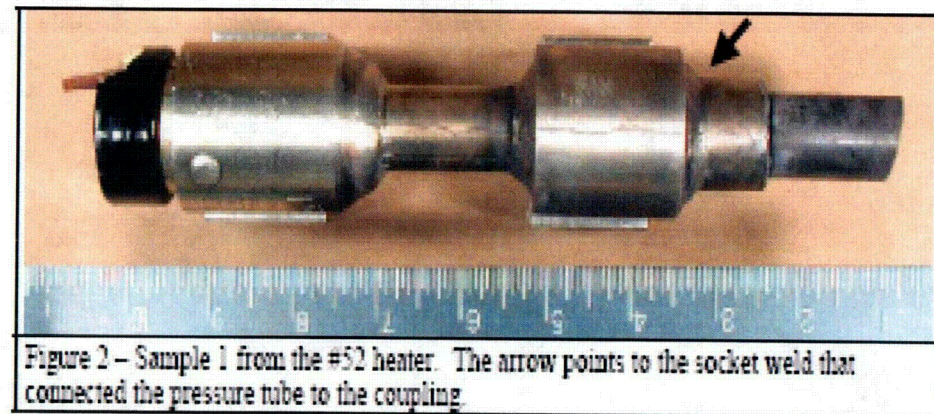
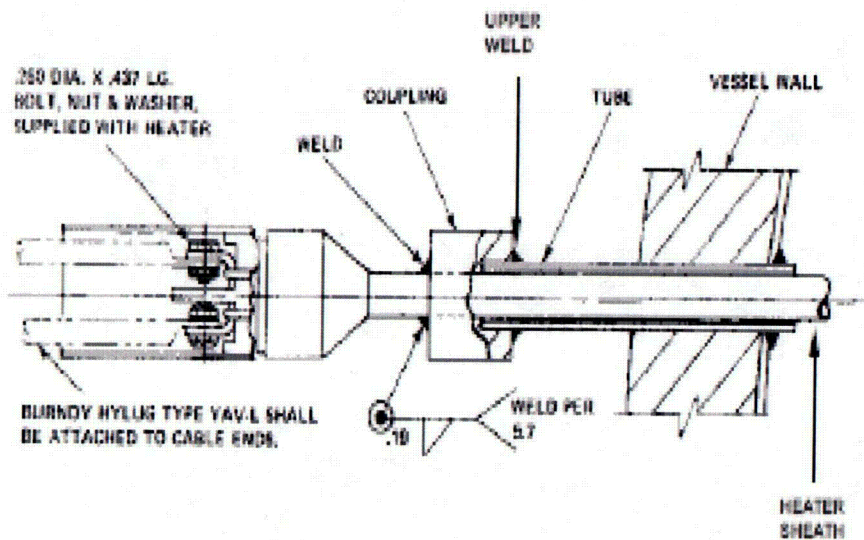
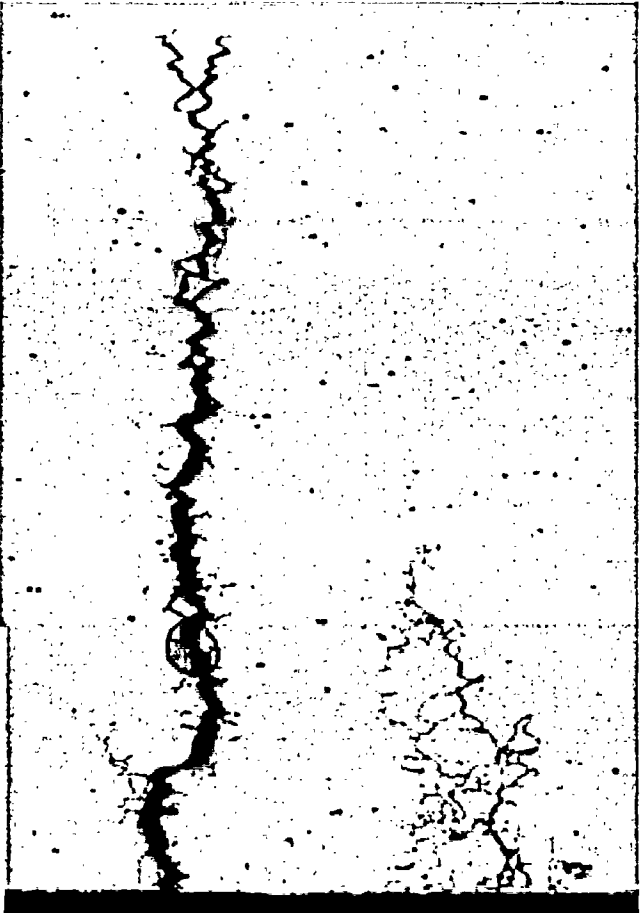


Figure 2 – Sample 1 from the #52 heater. The arrow points to the socket weld that connected the pressure tube to the coupling.



65 Degree Position