

**Final Submittal**  
(Blue Paper)

St. Lucie 2006-301

**FINAL RO/SRO WRITTEN  
EXAMINATION REFERENCES**

**ST. LUCIE MARCH/APRIL 2006-301 EXAM  
05000335/2006301 AND 05000389/2006301  
MARCH 20 - 29, 2006 AND APRIL 6, 2006**

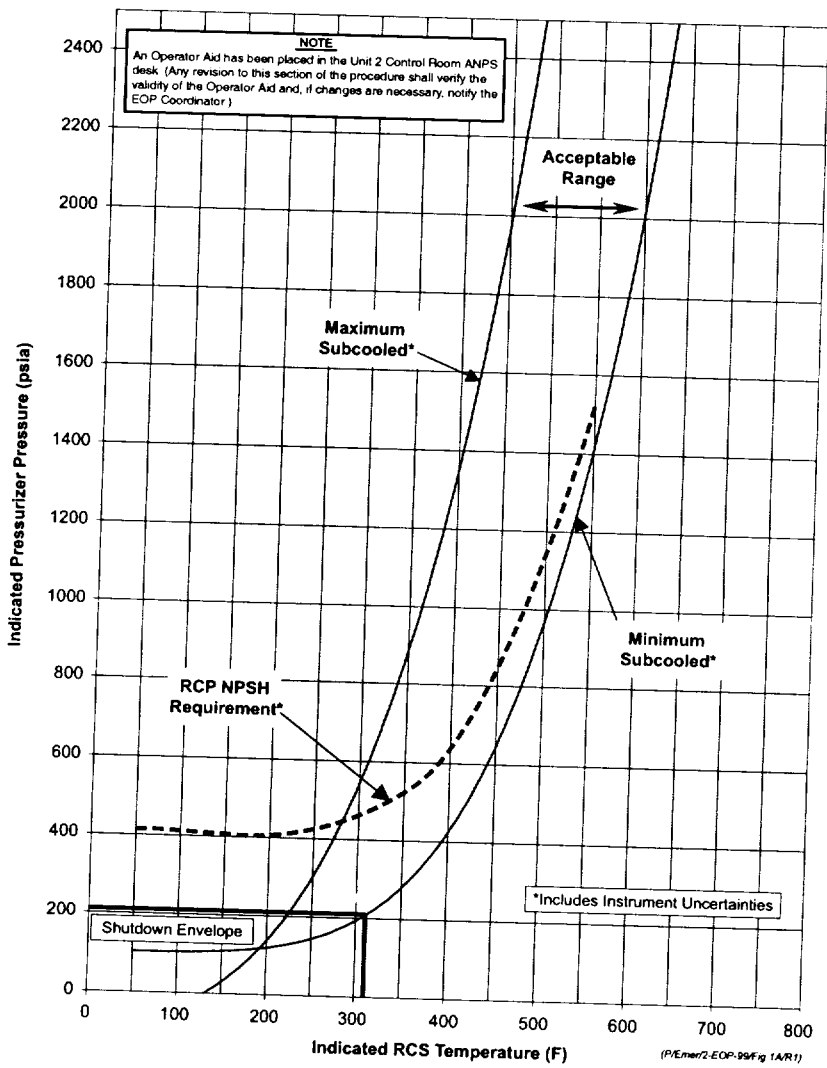
## **Steam Tables**

**FIGURE 1A**  
**RCS PRESSURE TEMPERATURE**  
(Page 1 of 1)

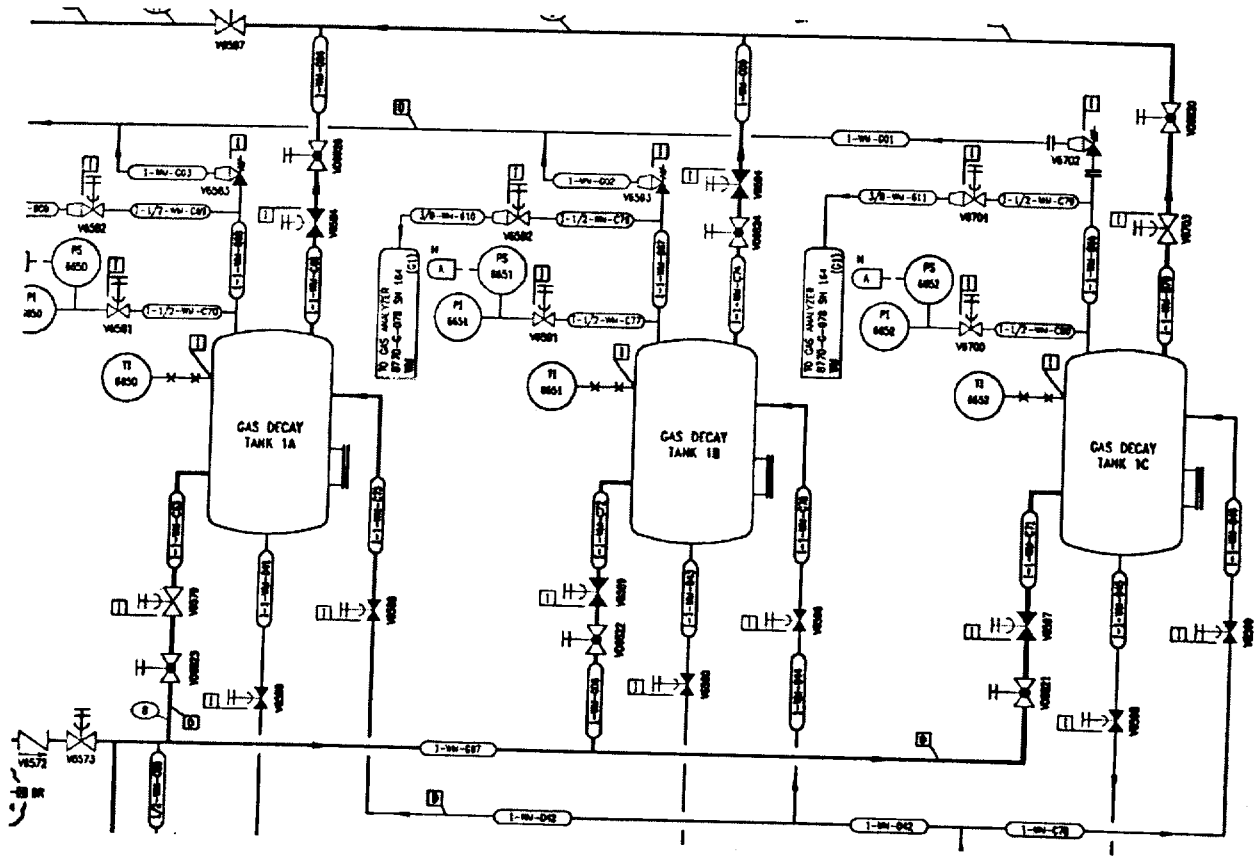
(Containment Temperature Less Than or Equal to 200°F)

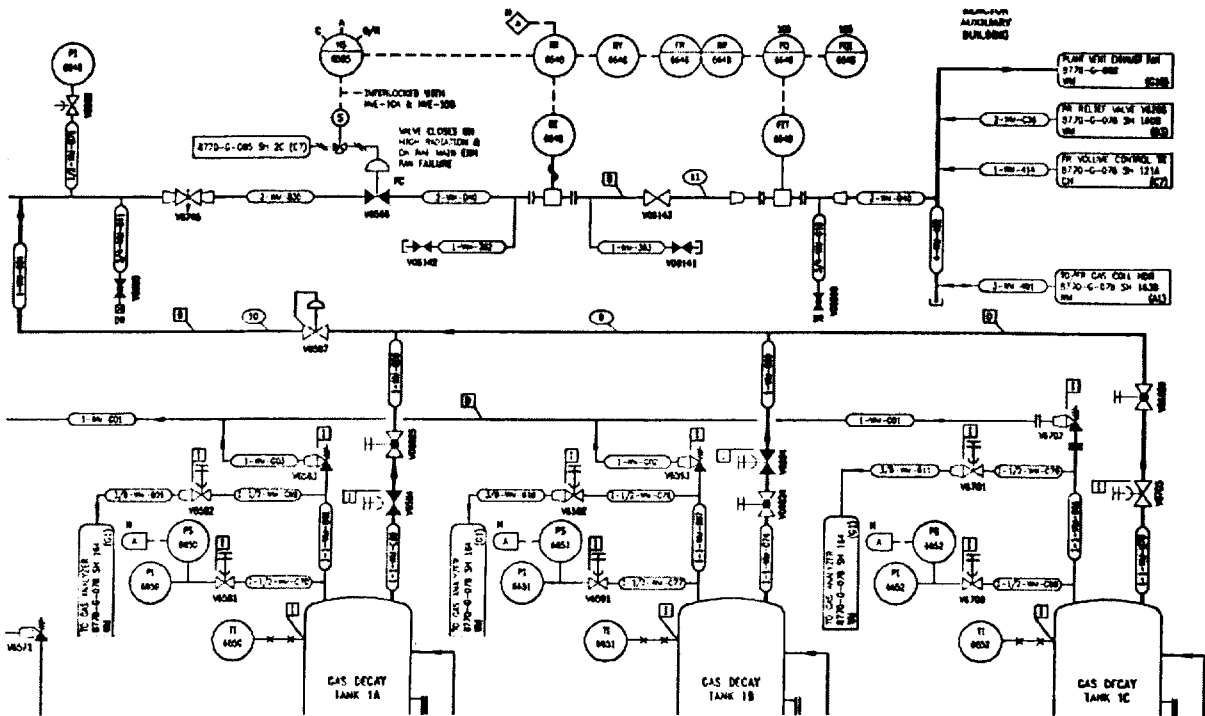
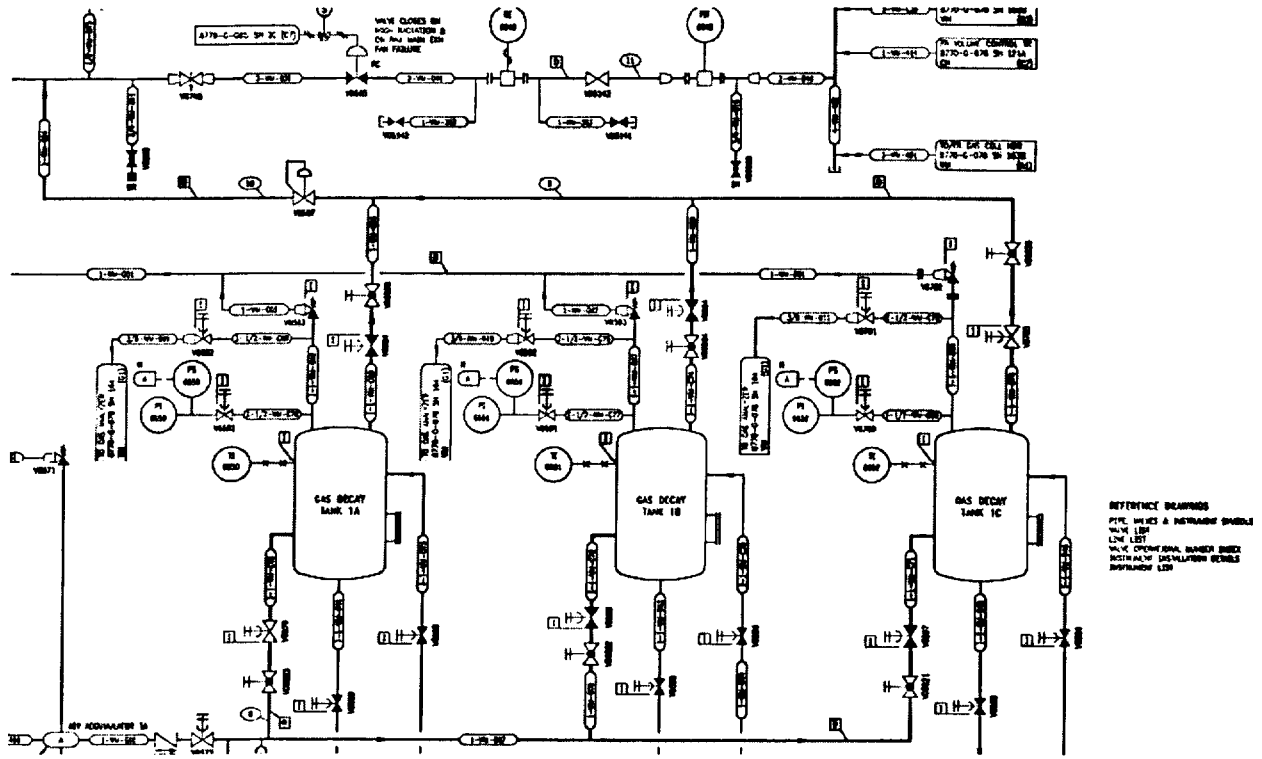
**CAUTION**

The RCP NPSH curve assumes one pump is operating in each loop. RCP instrumentation should be monitored for seal and pump performance in accordance with 2-EOP-99, Table 13.



RCS Pressure Range	Required QSPDS Subcooled Margin Reading (Rep CET)
2250 psia to 1000 psia	40 to 180°F
1000 psia to 500 psia	50 to 170°F
Less than 500 psia	80 to 160°F





REVISION NO.: 27A

PROCEDURE NO.: 2-NOP-03.05

PROCEDURE TITLE: SHUTDOWN COOLING

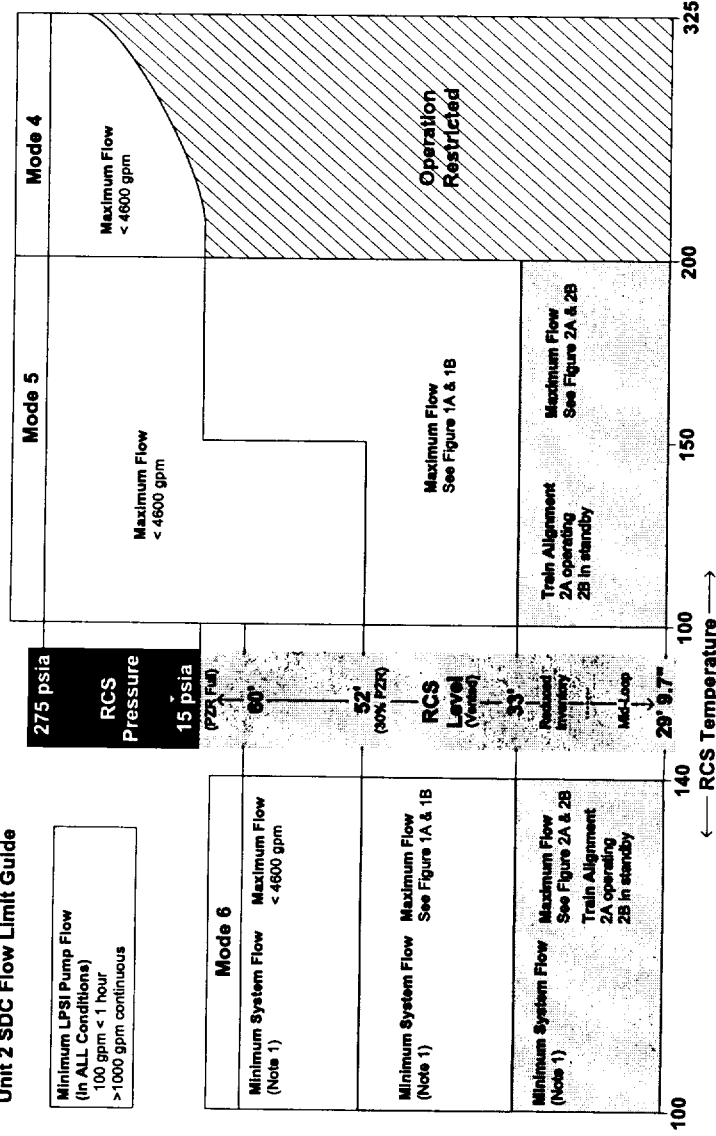
ST. LUCIE UNIT 2

PAGE: 135 of 141

### APPENDIX C SDC & LPSI PUMP FLOW REQUIREMENTS (Page 1 of 5)

#### Unit 2 SDC Flow Limit Guide

Minimum LPSI Pump Flow  
(In ALL Conditions)  
100 gpm < 1 hour  
> 1000 gpm continuous



NOTE 1: A. SDC flow total > 3000 gpm (Both trains combined).  
 Not achievable in Mode 6 below 33' Elevation due to single train operation.

OR B. IF ALL of the following conditions are satisfied:  
 1. The reactor has been subcritical for > 125 hours  
 2. RCS temperature < 117 °F  
 3. CCW temperature < 87 °F  
 Then SDC total flow > 1850 gpm (Both trains combined)

(PPOS2-NOP-03-06/APP C Rev)

**THIS AN OPERATOR AID (OA). IF THIS FIGURE IS REVISED, THE (OA) WILL ALSO HAVE TO BE REVISED.**

REVISION NO.:

27A

PROCEDURE NO.:

2-NOP-03.05

PROCEDURE TITLE:

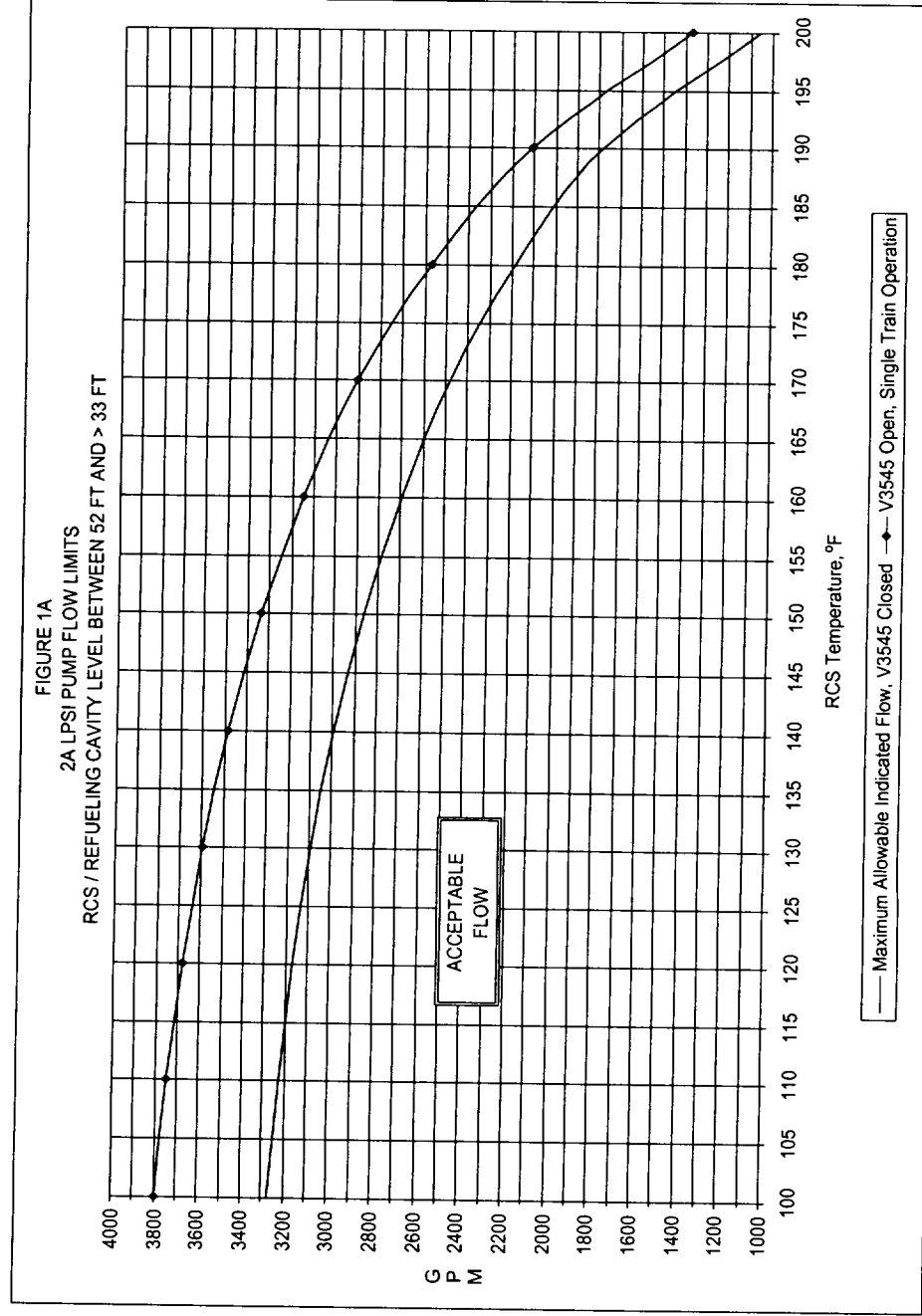
SHUTDOWN COOLING

ST. LUCIE UNIT 2

PAGE:

136 of 141

**APPENDIX C**  
**SDC & LPSI PUMP FLOW REQUIREMENTS**  
 (Page 2 of 5)



REVISION NO.:

27A

PROCEDURE NO.:

2-NOP-03.05

PROCEDURE TITLE:

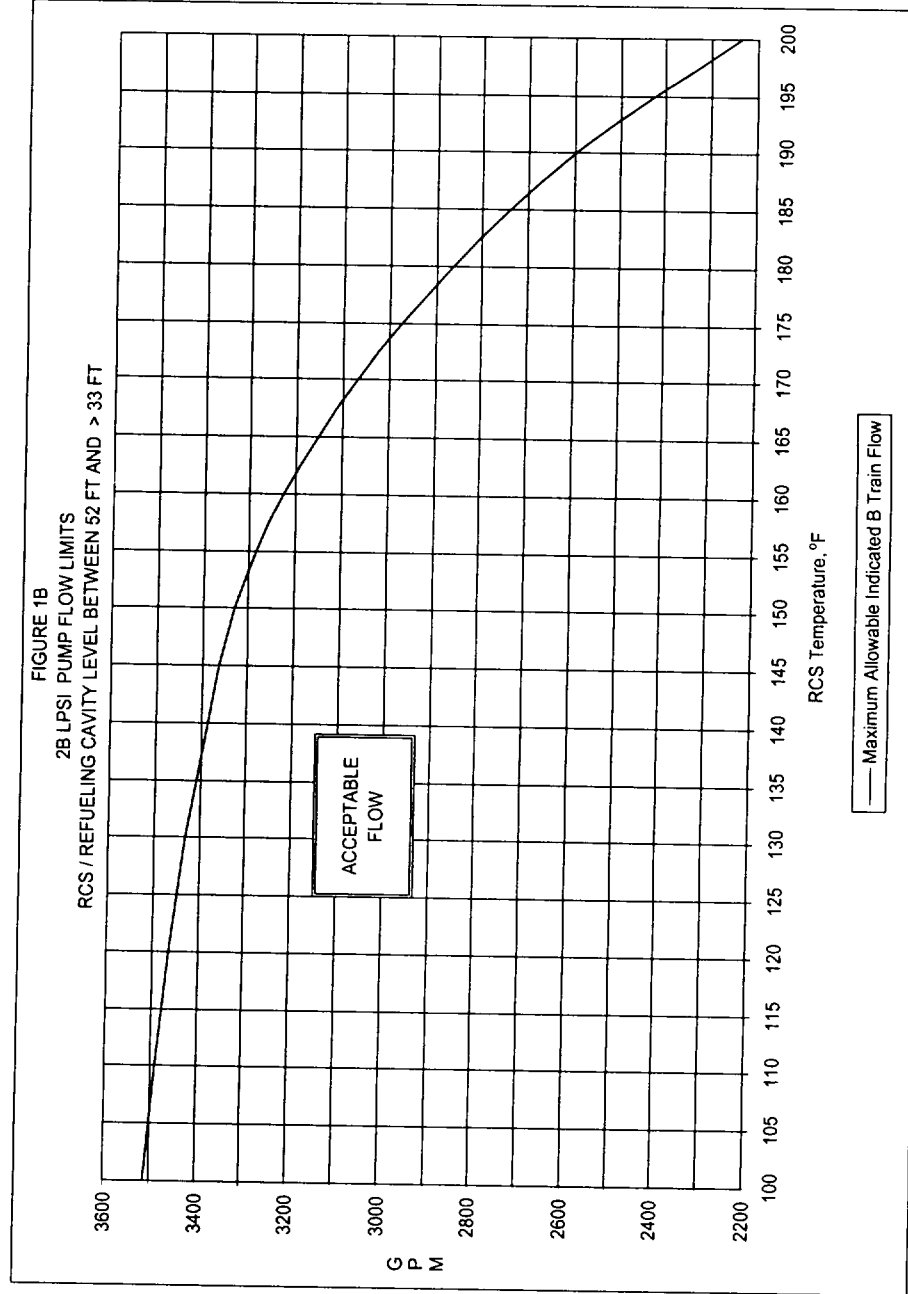
SHUTDOWN COOLING

PAGE:

137 of 141

ST. LUCIE UNIT 2

**APPENDIX C**  
**SDC & LPSI PUMP FLOW REQUIREMENTS**  
(Page 3 of 5)





REVISION NO.: 27A

PROCEDURE NO.: 2-NOP-03.05

PROCEDURE TITLE:

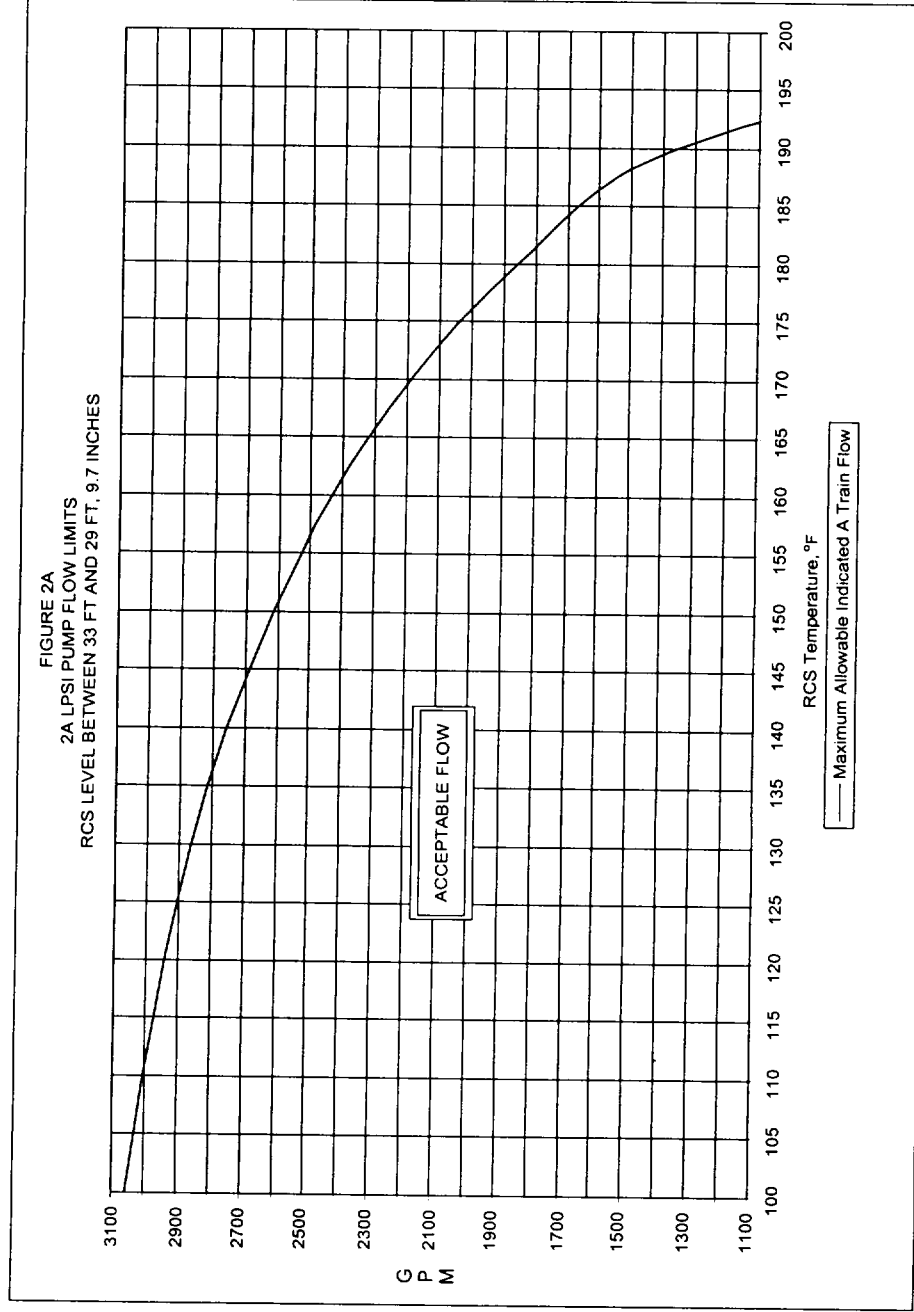
SHUTDOWN COOLING

PAGE:

138 of 141

ST. LUCIE UNIT 2

**APPENDIX C**  
**SDC & LPSI PUMP FLOW REQUIREMENTS**  
(Page 4 of 5)



REVISION NO.:

27A

PROCEDURE NO.:

2-NOP-03.05

PROCEDURE TITLE:

SHUTDOWN COOLING

PAGE:

139 of 141

ST. LUCIE UNIT 2

**APPENDIX C**  
**SDC & LPSI PUMP FLOW REQUIREMENTS**  
(Page 5 of 5)

