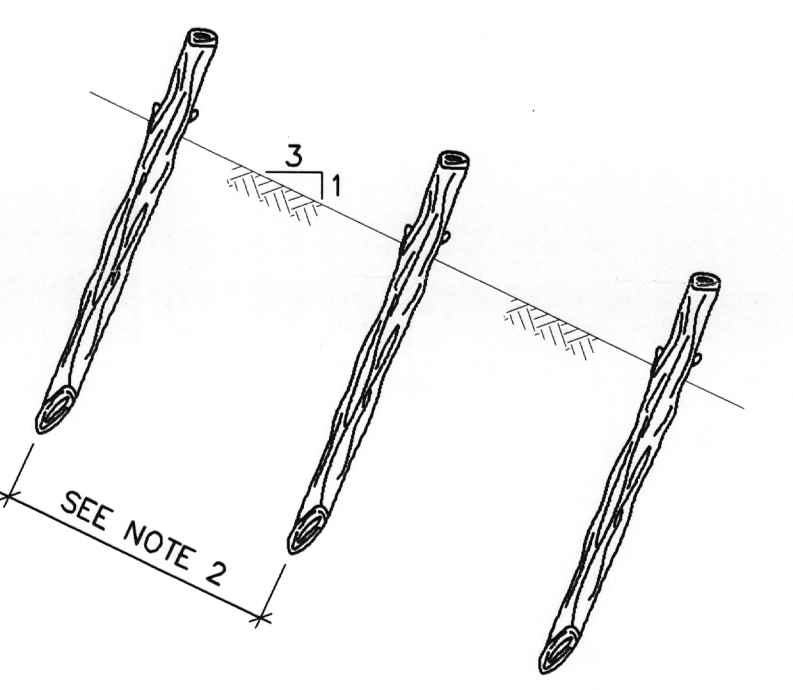
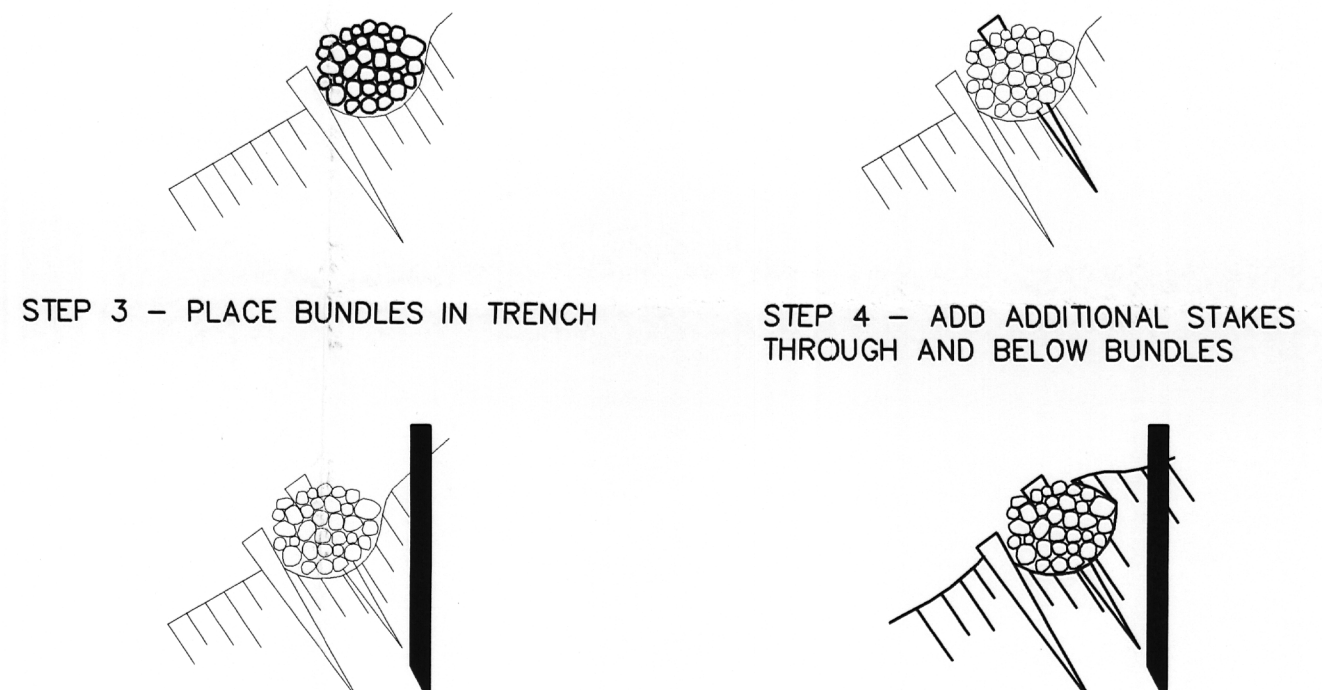
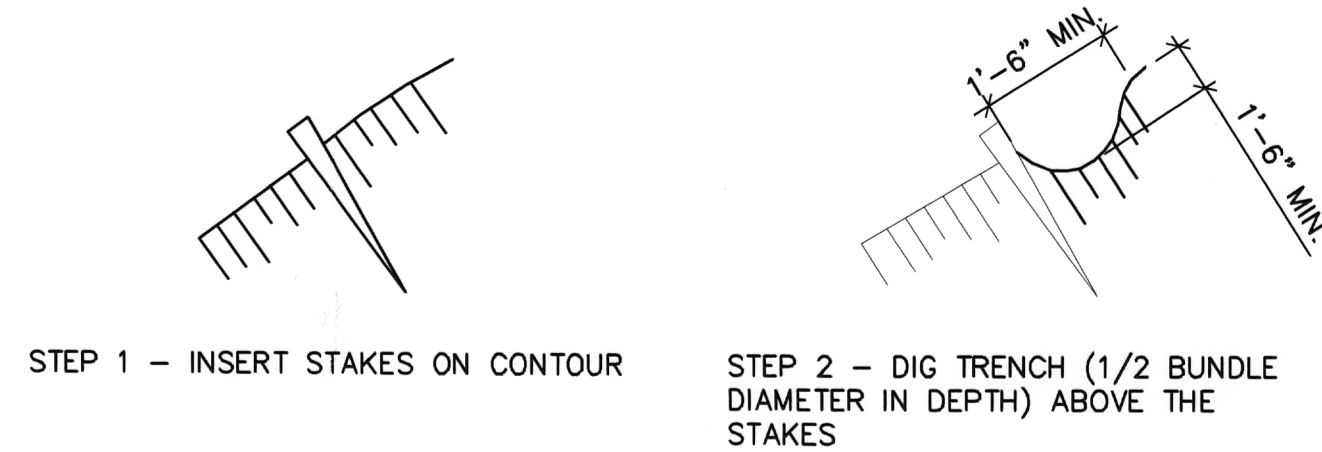


PRELIMINARY STEP - PREPARE FASCINE BUNDLES AS FOLLOWS:
CIGAR-SHAPED BUNDLES OF LIVE, ROOTABLE BRUSH AND BRANCHES WITH BUTTS ALTERNATING, 4 TO 10 INCH DIAMETERS, TIED 12 INCHES ON CENTER.



LIVE STAKE DETAIL

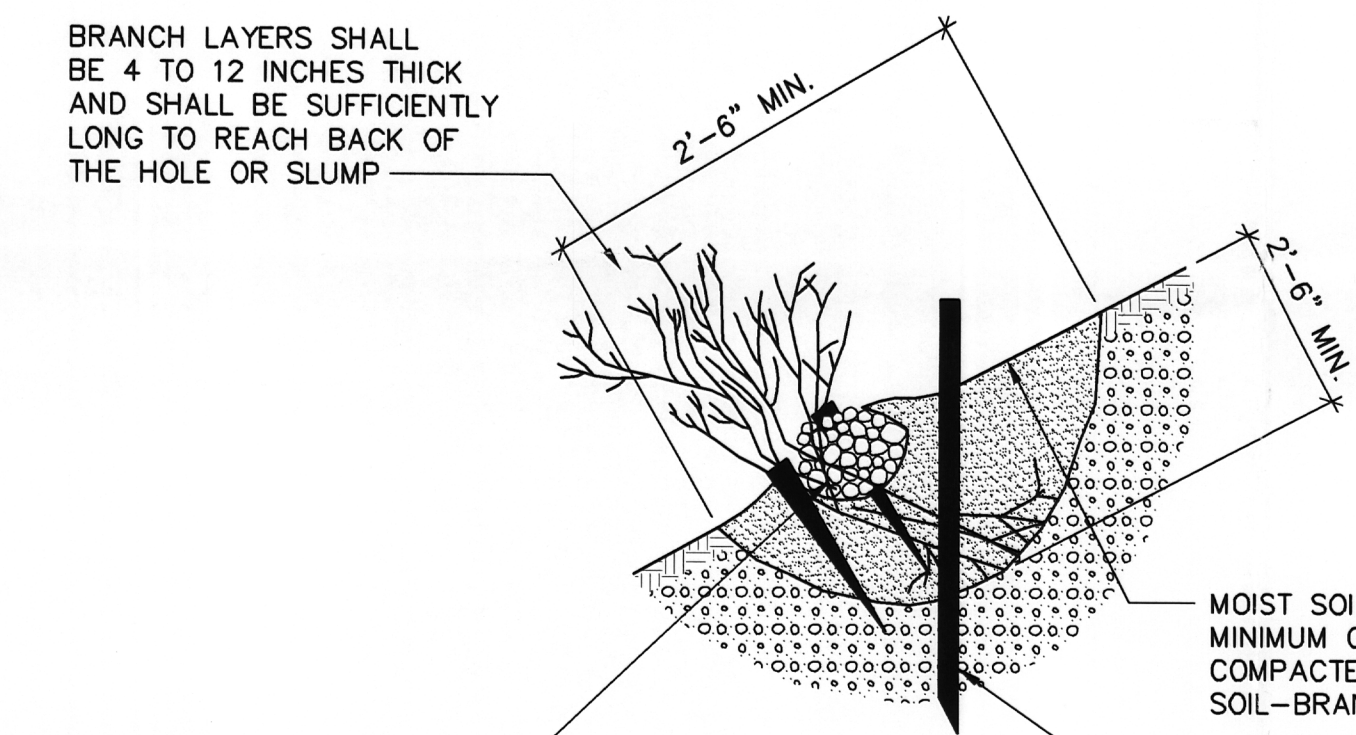
1
28 28

LIVE FASCINE DETAIL

2
28 28

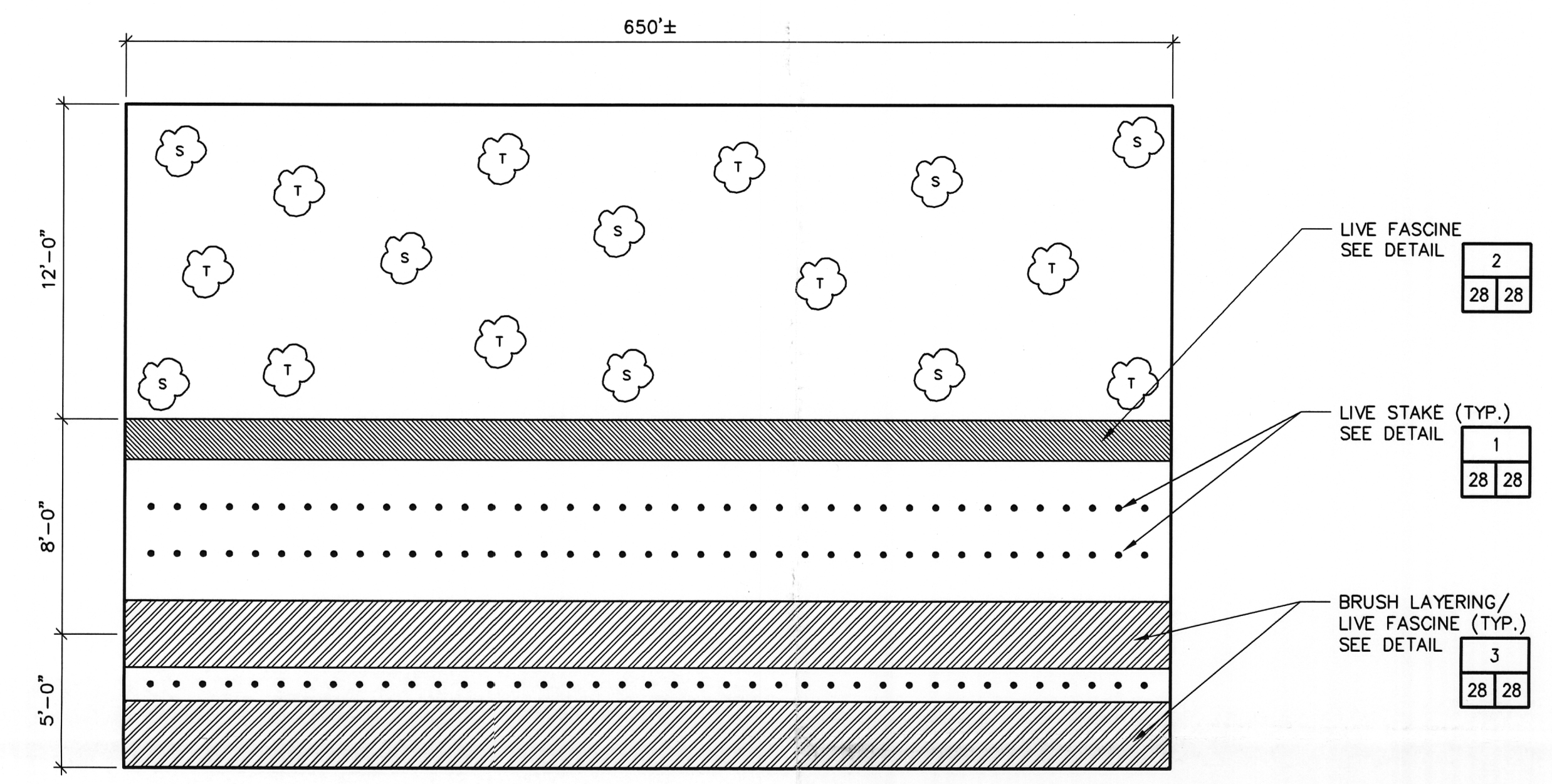
- NOTES:
- LIVE STAKES SHALL BE LONG ENOUGH TO REACH BELOW THE GROUNDWATER TABLE. ADDITIONALLY, THE STAKES SHALL HAVE A DIAMETER IN THE RANGE OF 0.75 TO 1.5 INCHES.
 - LIVE STAKES SHALL BE SPACED A MINIMUM OF 2 FEET APART TO GIVE A DENSITY OF 2 TO 4 CUTTINGS PER SQUARE YARD.

- CONSTRUCTION NOTE:
- INSTALLATION BEGINS AT THE BOTTOM SLOPE AND PROCEEDS FROM STEP 1 THROUGH STEP 6



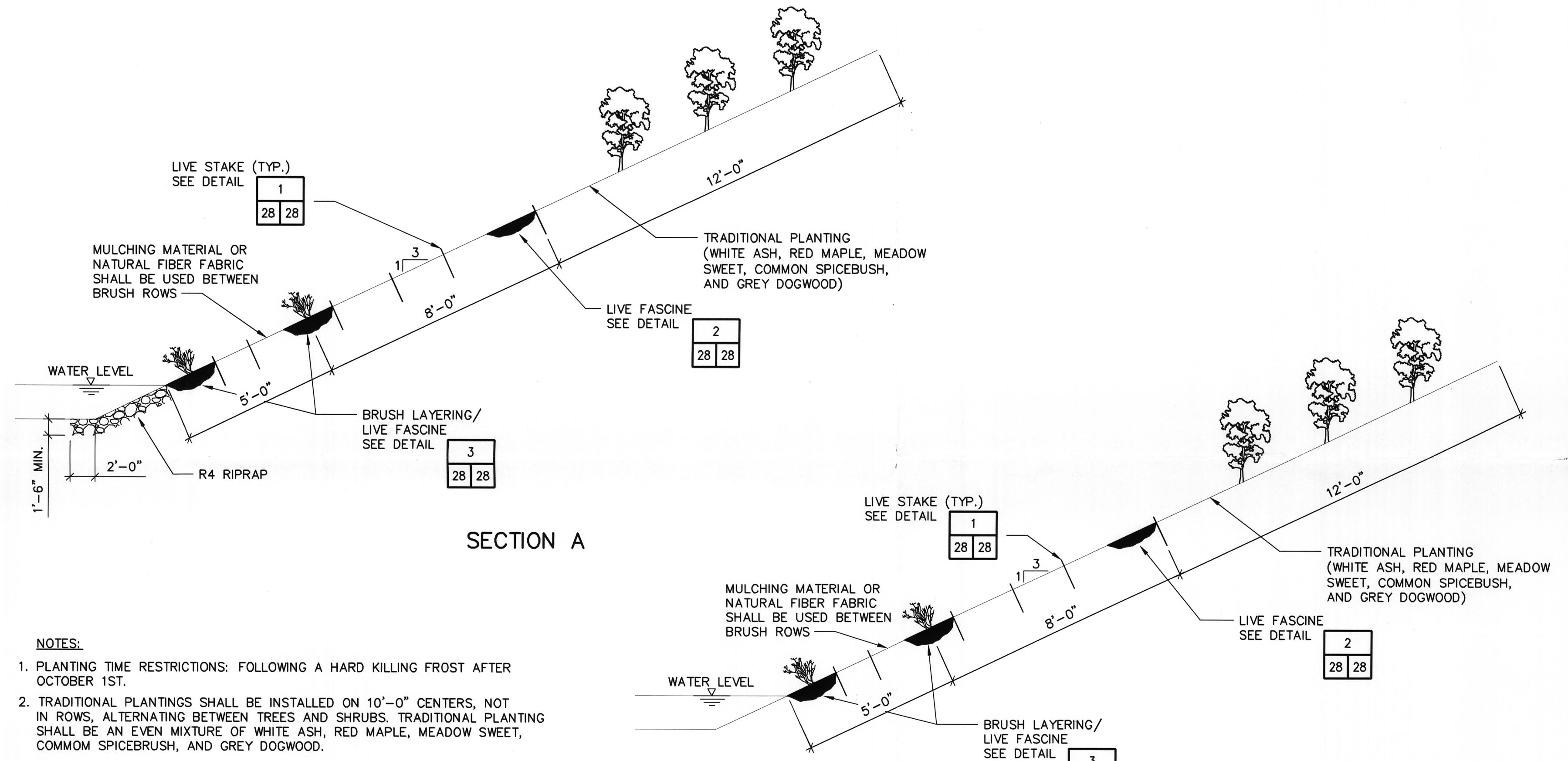
BRUSH LAYERING/LIVE FASCINE DETAIL

3
28 28



PLAN TYPICAL CREEK BANK SLOPE PLANTING DETAIL

4
28 28



- NOTES:
- PLANTING TIME RESTRICTIONS: FOLLOWING A HARD KILLING FROST AFTER OCTOBER 1ST.
 - TRADITIONAL PLANTINGS SHALL BE INSTALLED ON 10'-0" CENTERS, NOT IN ROWS, ALTERNATING BETWEEN TREES AND SHRUBS. TRADITIONAL PLANTING SHALL BE AN EVEN MIXTURE OF WHITE ASH, RED MAPLE, MEADOW SWEET, COMMON SPICEBUSH, AND GREY DOGWOOD.
 - RIPRAP SHALL BE PLACED IF EXCAVATION IS REQUIRED BELOW NORMAL WATER LEVEL AS SHOWN ON SECTION A. RIPRAP SHALL NOT BE PLACED MORE THAN 1'-0" ABOVE NORMAL WATER LEVEL.
 - SEE SECTION B IF RIPRAP IS NOT REQUIRED.

D-24



REVISIONS			
NO.	BY	DATE	REMARKS

DES	BEG
DWN	MAW
CKD	KRM

MOLYCORP, INC
WASHINGTON, PA
SITE REMEDIATION CONSTRUCTION

BEST MANAGEMENT PRACTICE
DETAILS
NOT TO SCALE

COPYRIGHT © 2005
MALCOLM PIRNIE, INC.
DATE JUNE 2005
M SHEET 28 OF 46
CAD REF. NO. M-28

XREFS: I:\ACAD\PROJ\4812014\CONFORMED-XREF\4812014\CONFORMED-DESIGN\M-28.DWG Scale: 1:1 Date: 11/14/2005 Time: 14:02 Layout: Layout1 User: SHAHEER Spec: PIRNIE STANDARD File: I:\ACAD\PROJ\4812014\CONFORMED-DESIGN\M-28.DWG