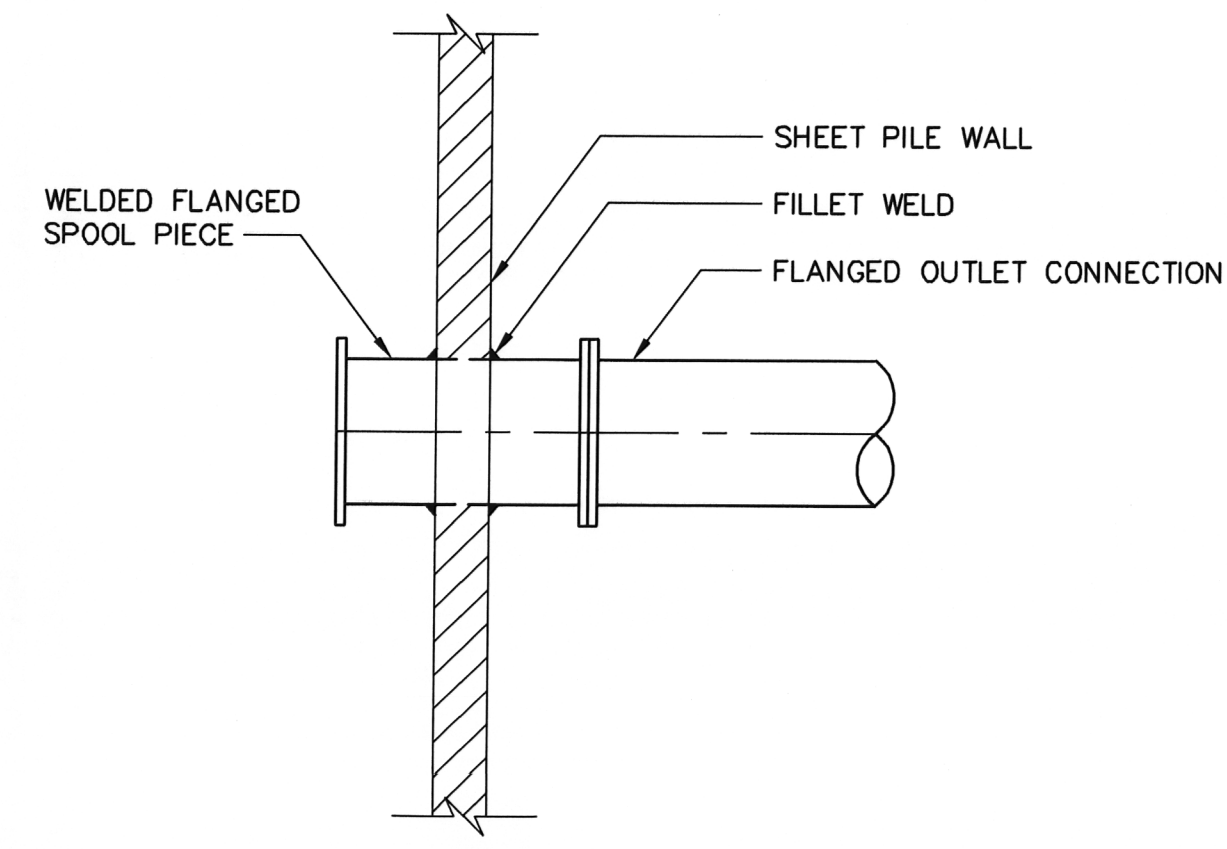


DECONTAMINATION PAD DETAIL
SCALE: 1" = 4'

4
10 27

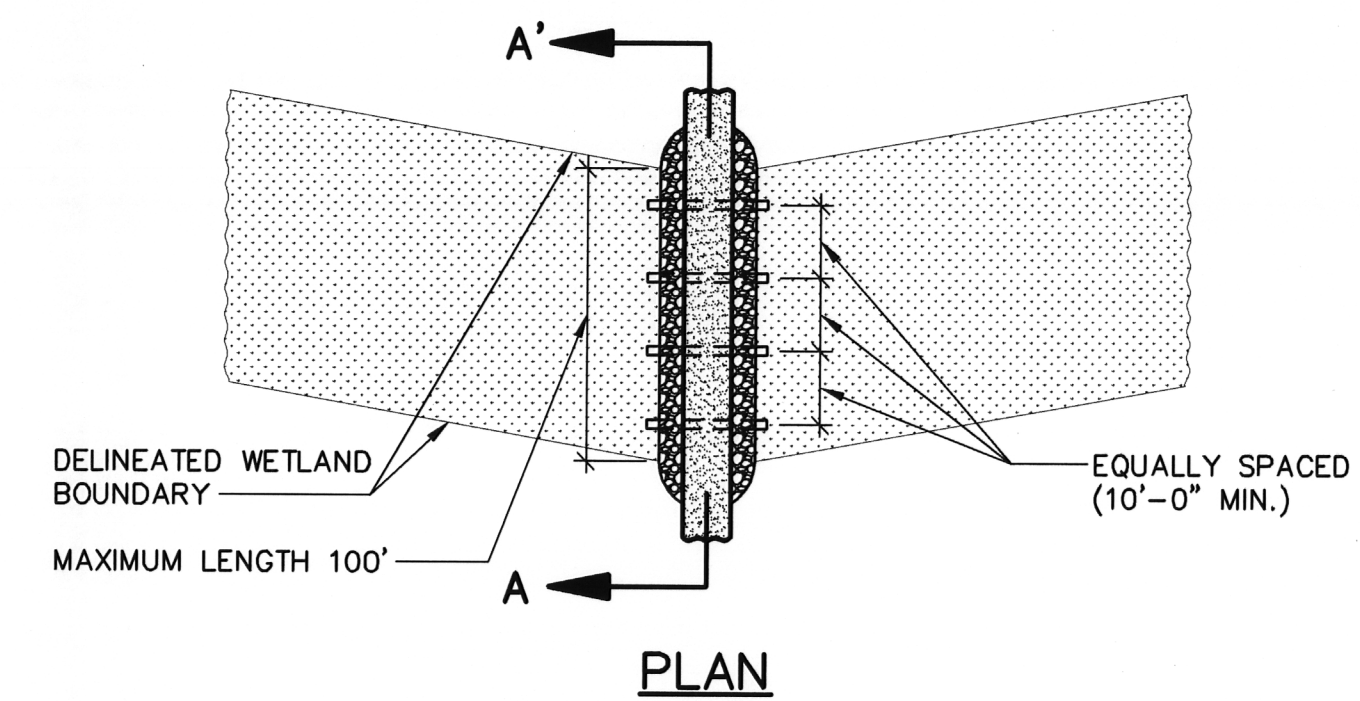
NOTE:

- PAD SHALL BE COVERED BY A TARP TO PRECLUDE THE COLLECTION OF PRECIPITATION.

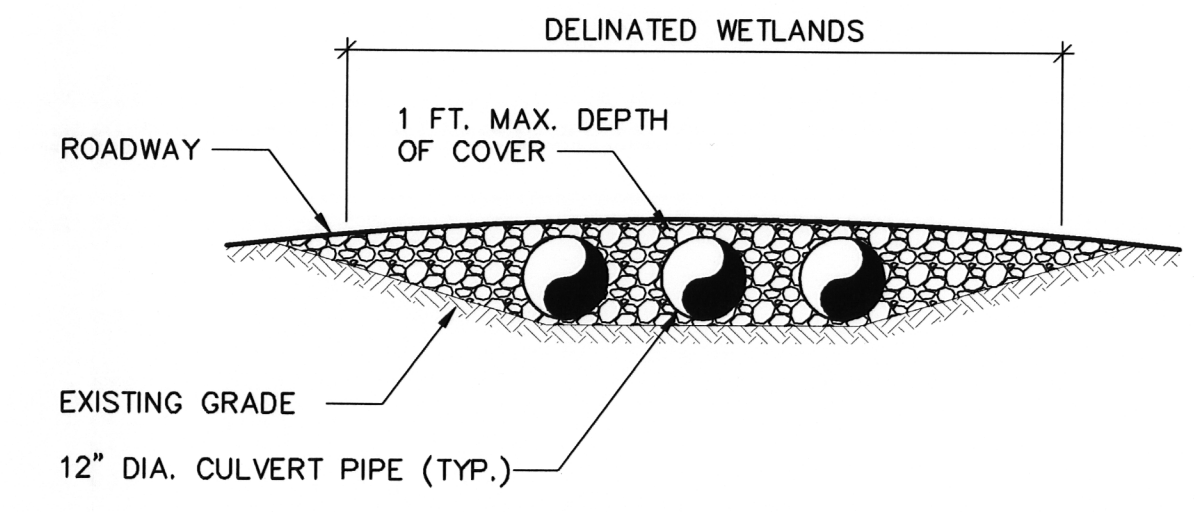


SHEET PILE WALL PIPE PENETRATION DETAIL
NOT TO SCALE

1
8B 27



SECTION A-A'



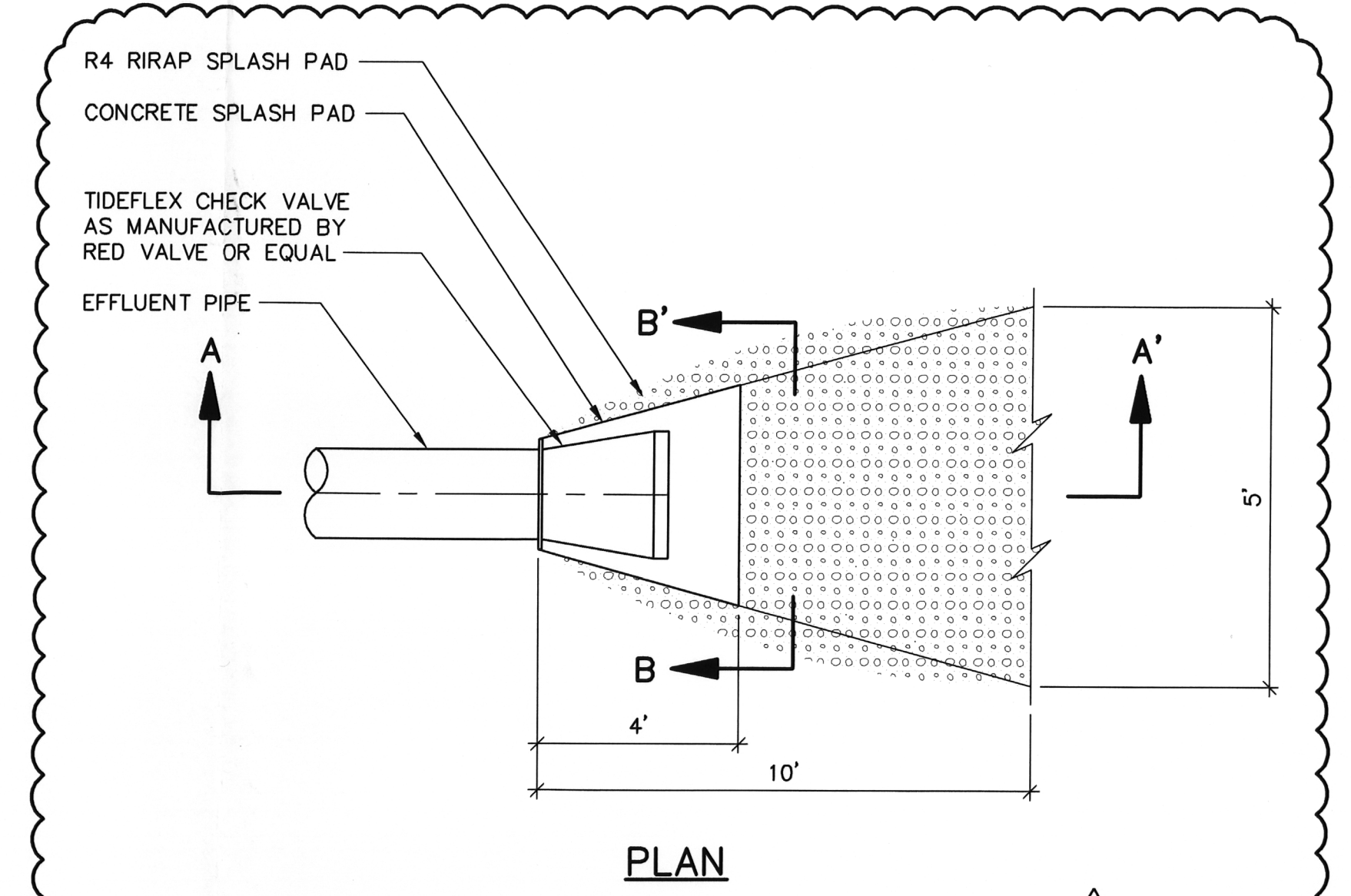
SECTION A-A'

NOTE:

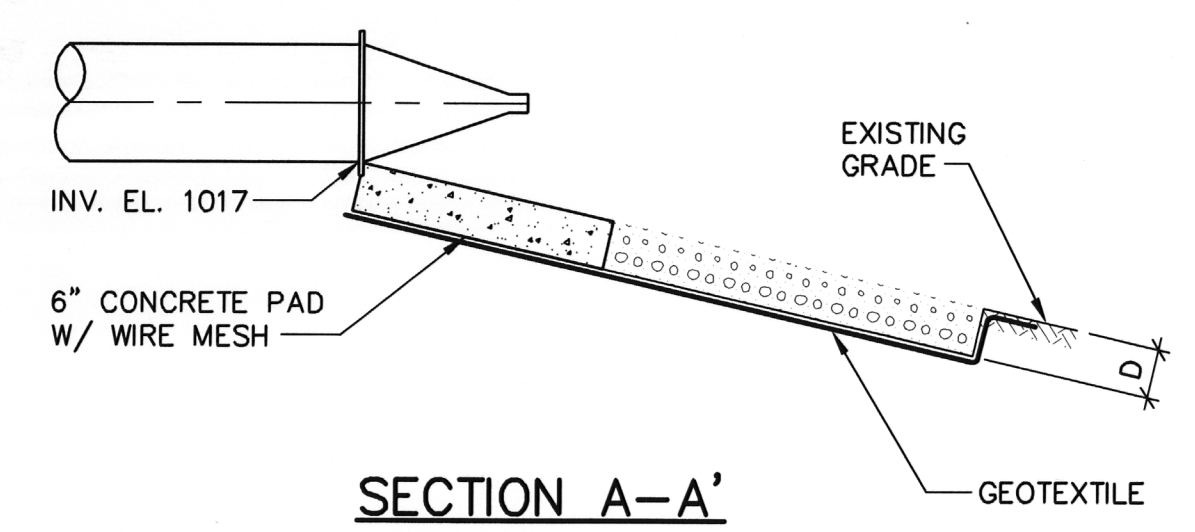
- CULVERTS SHALL EXTEND BEYOND THE TOE OF THE HILL

WETLAND CROSSING DETAIL
PADEP GENERAL PERMIT: B.D.W.M. DWG. 6
NOT TO SCALE

3
10 27



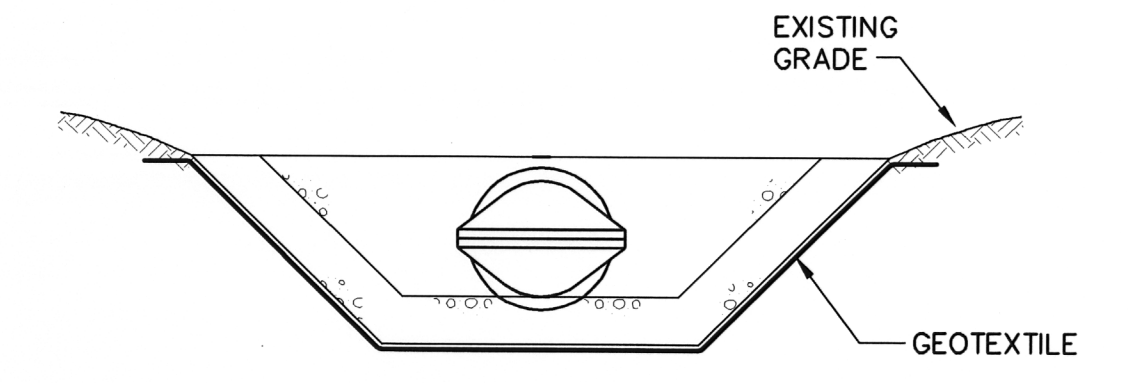
PLAN



SECTION A-A'

NOTE:

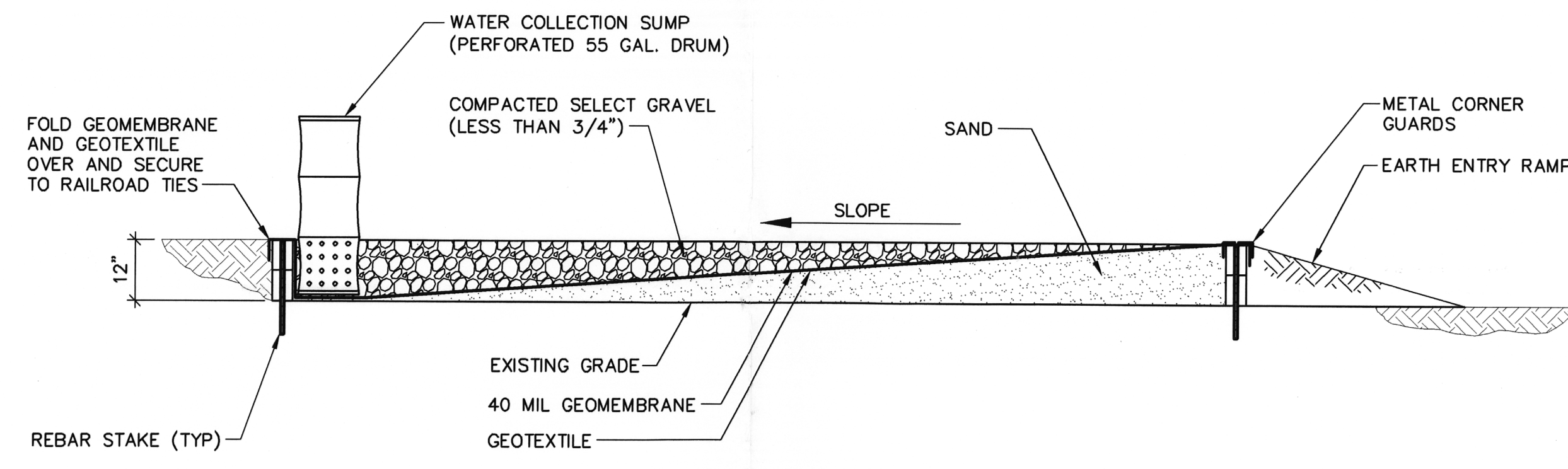
- D = 1.5 TIMES THE MAXIMUM STONE DIAMETER BUT NOT LESS THAN 6 INCHES.



SECTION B-B'

OUTLET DETAIL
NOT TO SCALE

1
8B 27



SECTION

SCALE: 1" = 4' HORIZ.
1" = 8' VERT.

XREFS: I:\ACAD\PROJ\4812014\100-DESIGN\ADDENDUMS\REF\4812BDR.dwg IMAGES: None User: WELSHANS Spec: PIRNIE STANDARD File: I:\ACAD\PROJ\4812014\100-DESIGN\ADDENDUMS\DRAWINGS\M-27.DWG Scale: 1:1 Date: 07/01/2005 Time: 11:41 Layout: Layout1



REVISIONS			
NO.	BY	DATE	REMARKS
1	TCS	6/20/05	REVISED PER ADDENDUM NO. 4

DES	BEG
DWN	MAW
CKD	KRM

MOLYCORP, INC
WASHINGTON, PA

SITE REMEDIATION CONSTRUCTION

**BEST MANAGEMENT PRACTICE
DETAILS**
AS NOTED

COPYRIGHT © 2005
MALCOLM PIRNIE, INC.
DATE: JUNE 2005
M SHEET 27 OF 46
CAD REF. NO. M-27

D-23