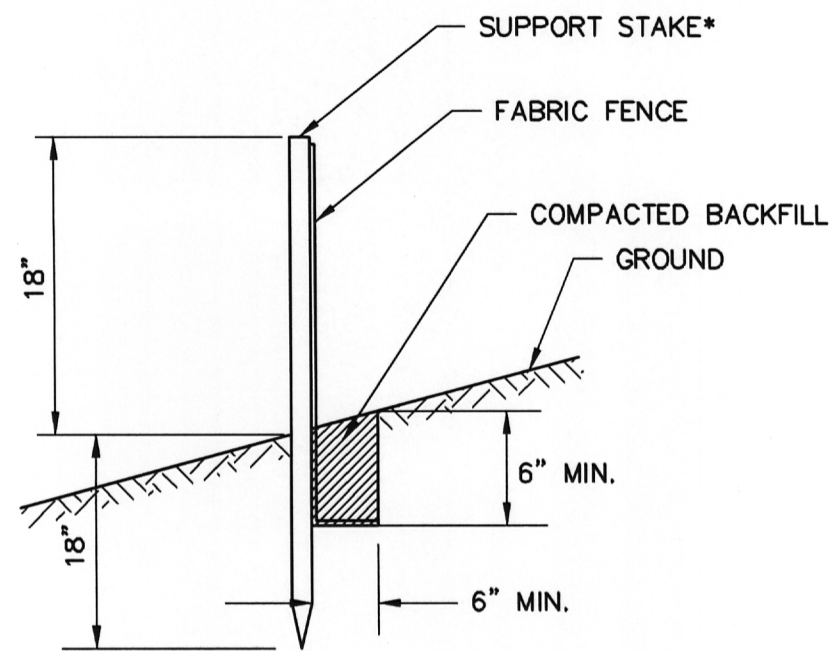


JOINING FENCE SECTIONS



NOTES:

- FABRIC FILTER MUST BE INSTALLED AT EXISTING LEVEL GRADE. BOTH ENDS OF EACH FENCE SECTION MUST BE EXTENDED AT LEAST 8 FEET UPSLOPE AT 45 DEGREES TO THE MAIN FENCE ALIGNMENT.
- SEDIMENT MUST BE REMOVED WHERE ACCUMULATIONS REACH 1/2 THE ABOVE GROUND HEIGHT OF THE FENCE.
- ANY FENCE SECTION WHICH HAS BEEN UNDERMINED OR TOPPED MUST BE IMMEDIATELY REPLACED WITH A ROCK FILTER OUTLET.

* STAKES PLACED AT 8' MAXIMUM. USE 2" x 2" WOOD OR EQUIVALENT STEEL STAKES.

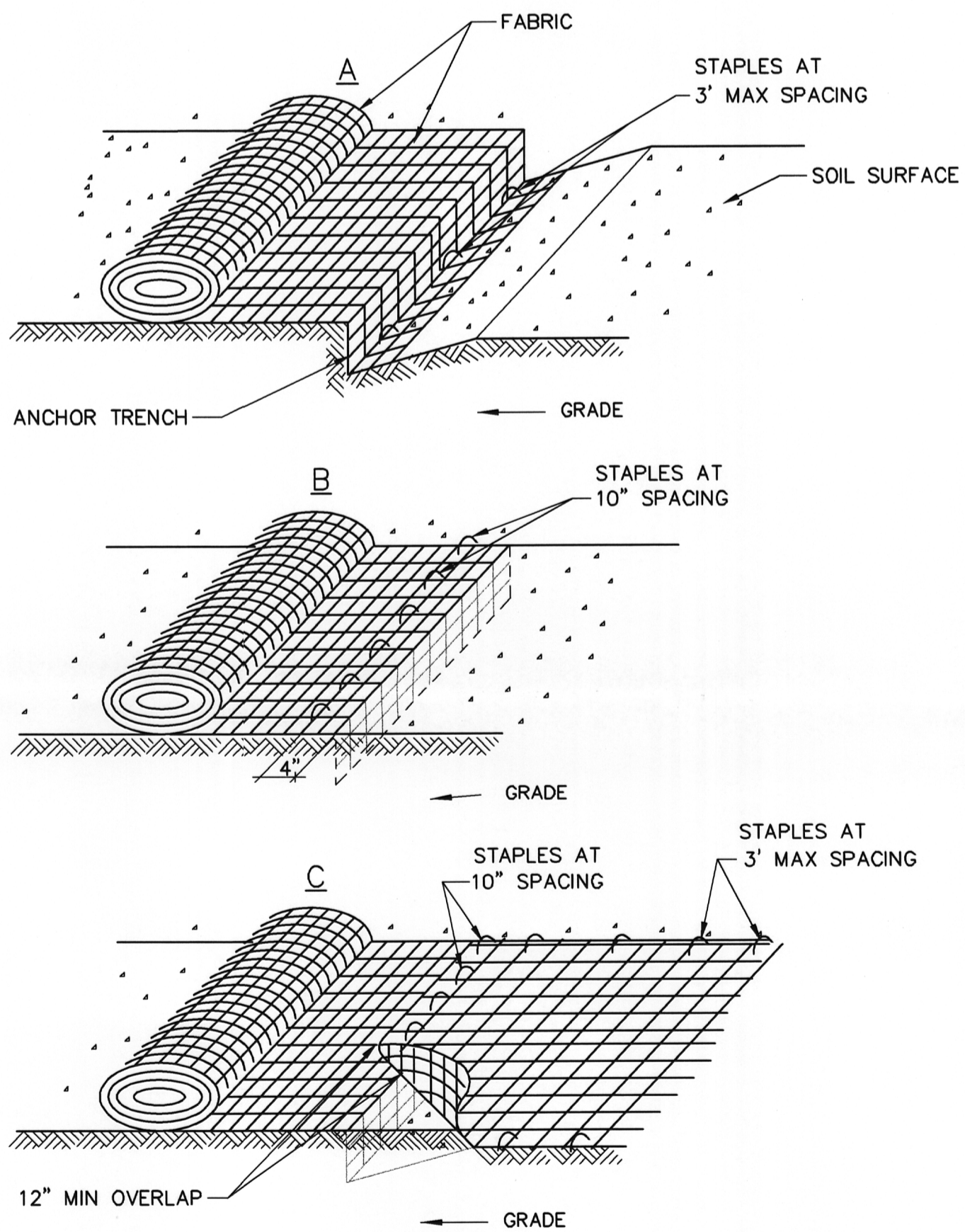
FABRIC FILTER FENCE DETAIL

PADEP DETAIL - SCD#19

1	24	24
---	----	----

EROSION CONTROL MATTING NOTES

- STRIPS OF MATTING SHALL BE INSTALLED PARALLEL TO THE DIRECTION OF FLOW OVER THE SURFACE WHICH IS TO BE PROTECTED.
- THE UP-CHANNEL END OF THE MATTING SHALL BE BURIED IN A TRENCH MEASURING 6 INCHES DEEP AND 6 INCHES WIDE FOR THE ENTIRE WIDTH OF THE END. THE SOIL SHALL BE BACKFILLED INTO THE TRENCH AND TAMPED FIRMLY. STAPLES SHALL BE PLACED EVERY 12 INCHES ALONG THE END OF THE MATTING.
- EDGES OF ADJACENT STRIPS OF MATTING SHALL BE OVERLAPPED A MINIMUM OF 4 INCHES AND SHALL BE STAPLED EVERY 3 FEET ALONG THE OVERLAP.
- WHEN JOINING STRIPS OF MATTING END TO END, A TRENCH SIMILAR TO THE ONE DUG AT THE BEGINNING OF THE ORIGINAL STRIP SHALL BE DUG WITH THE UP-CHANNEL END OF THE NEW STRIP BEING PLACED IN A LIKE MANNER IN THE TRENCH AS THE BEGINNING END OF THE ORIGINAL STRIP. THE END OF THE STRIP BEING FOLDED UNDER AT LEAST 12 INCHES. STAPLES SHALL BE INSTALLED AT 12 INCH INTERVALS ALONG THE WIDTH OF THE STRIP NOT MORE THAN 4 INCHES FROM THE TRENCH.
- IN SITUATIONS WHERE ERODIBLE SOILS, STEEP SLOPES OR HIGH VELOCITY FLOWS ARE ENCOUNTERED, A FOLD OF THE MATTING SHALL BE INSERTED INTO A 6 INCH TRENCH AND TAMPED FIRMLY. STAPLES SHALL BE INSTALLED AT 10 INCH INTERVALS ALONG THE TRENCH.
- STAPLES FOR ANCHORING SOIL STABILIZING MATERIALS SHALL BE MADE OF 10 GAUGE WIRE OR HEAVIER. THEY SHALL BE 6 TO 10 INCHES IN LENGTH, WITH THE LONGER STAPLES BEING USED IN LOOSE OR UNSTABLE SOILS. THERE SHALL BE ONE STAPLE FOR EACH FOUR (4) SQUARE FEET OF MATTING TO ASSURE PROPER BONDING BETWEEN THE SOIL AND THE MAT MATERIAL.



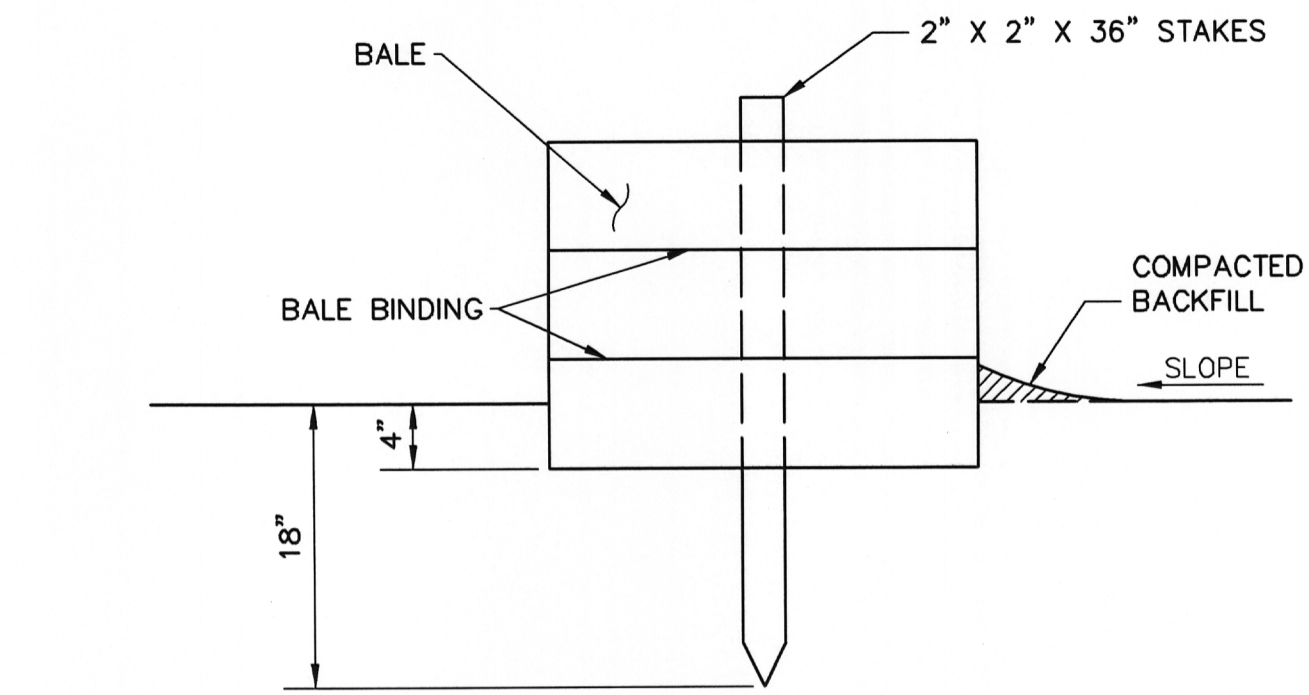
EROSION CONTROL MATTING DETAIL

3	23	24
---	----	----

STRAW BALE BARRIER DETAIL

PADEP DETAIL - SCD#17

3	24	24
---	----	----

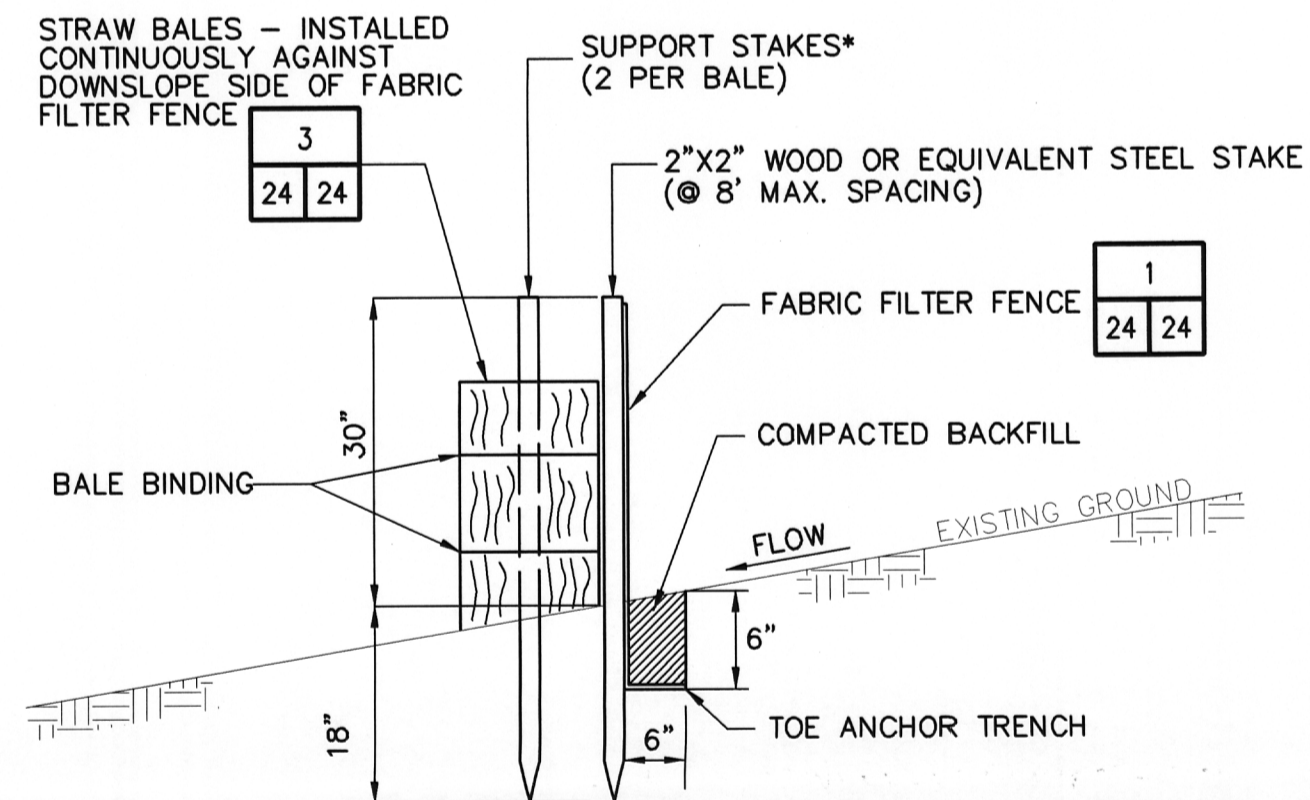
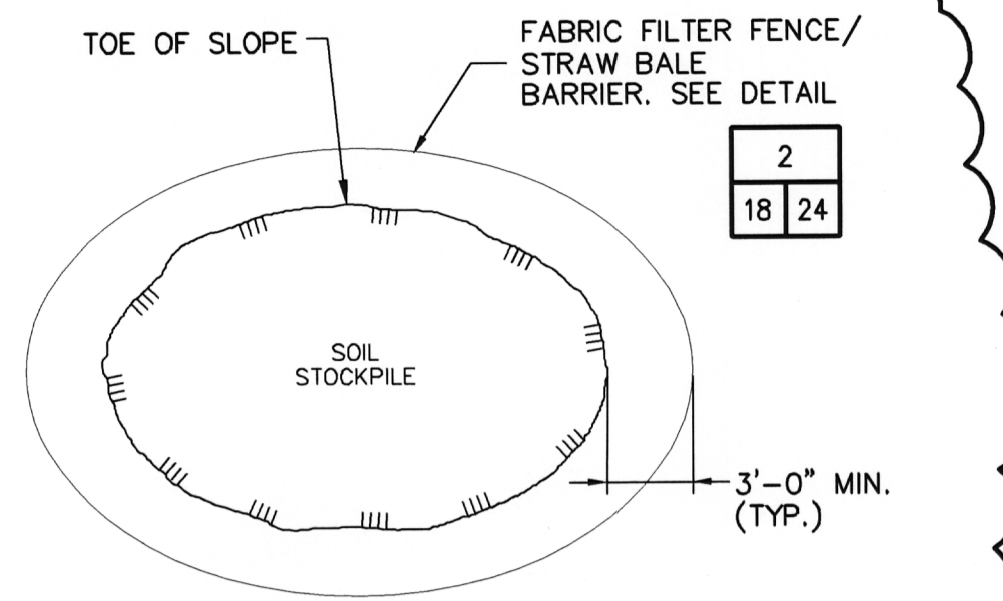


- STRAW BALE BARRIERS SHOULD NOT BE USED FOR MORE THAN 3 MONTHS.
- STRAW BALE BARRIERS SHALL BE PLACED AT EXISTING LEVEL GRADE. BOTH ENDS OF THE BARRIER SHALL BE EXTENDED AT LEAST 8 FEET UP SLOPE AT 45 DEGREES TO THE MAIN BARRIER ALIGNMENT.
- SEDIMENT SHALL BE REMOVED WHEN ACCUMULATIONS REACH 1/3 THE ABOVE GROUND HEIGHT OF THE BARRIER.
- ANY SECTION OF STRAW BALE BARRIER WHICH HAS BEEN UNDERMINED OR TOPPED SHALL BE IMMEDIATELY REPLACED WITH A ROCK FILTER OUTLET.

SOIL STOCKPILE DETAIL

NOTES:

- STOCKPILES SHALL BE PLACED ON, AND COVERED WITH 10 MIL. PLASTIC SHEETING. THE COVER SHEETING SHALL BE ANCHORED EVERY 10 FEET AROUND THE STOCKPILE PERIMETER AS APPROVED BY THE REMEDIATION CONSTRUCTION MANAGER.
- AFTER COMPLETE UTILIZATION, RETURN STOCKPILE AREA TO NATURAL PRECONSTRUCTION STATE, INCLUDING ALL NECESSARY GRADING AND REVEGETATION.
- WHERE POSSIBLE LOCATE STOCKPILE AREAS ON UPSLOPE SIDE OF EXCAVATION, AWAY FROM NEARBY STREAMS, DRAINAGE DITCHES, OR WATER COURSES.
- CONTRACTOR SHALL GRADE SOIL AROUND THE STOCKPILE PERIMETER TO FLOW TO ONE COLLECTION POINT PER STOCKPILE.
- CONTRACTOR SHALL NOT TRANSPORT STOCKPILED MATERIALS TO NON-RADIOLOGICALLY IMPACTED AREAS.



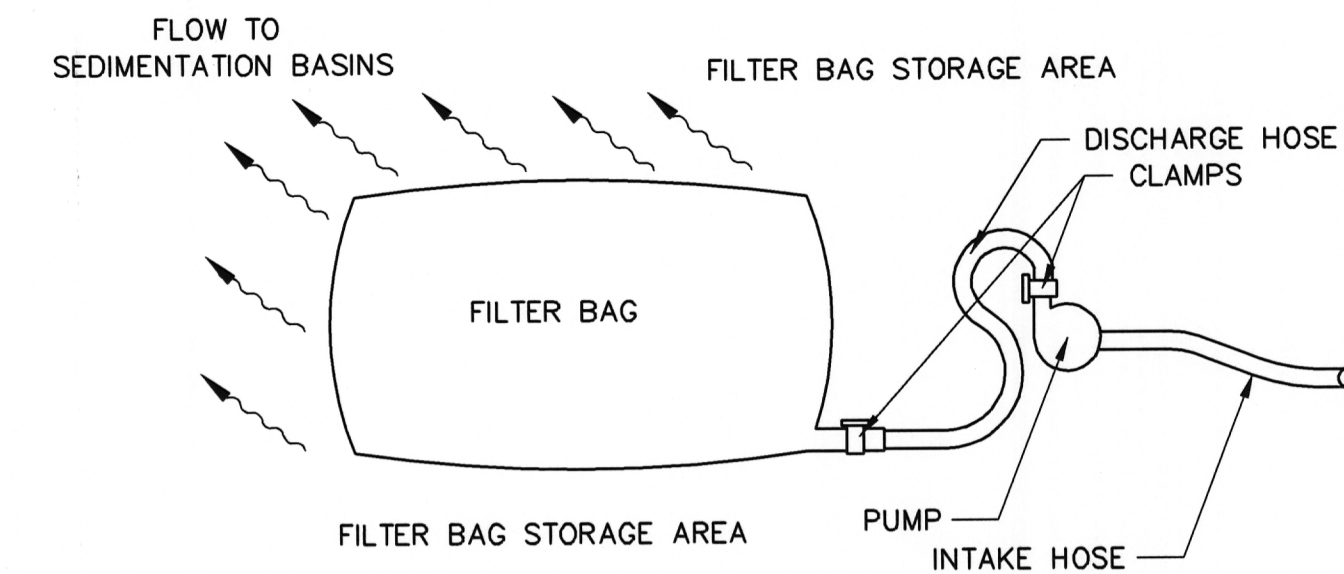
NOTES:

- FABRIC FILTER MUST BE INSTALLED AT EXISTING LEVEL GRADE. BOTH ENDS OF EACH FENCE SECTION MUST BE EXTENDED AT LEAST 8 FEET UPSLOPE AT 45 DEGREES TO THE MAIN FENCE ALIGNMENT.
- SEDIMENT MUST BE REMOVED WHERE ACCUMULATIONS REACH 1/2 THE ABOVE GROUND HEIGHT OF THE FENCE.
- ANY FENCE SECTION WHICH HAS BEEN UNDERMINED OR TOPPED MUST BE IMMEDIATELY REPLACED WITH A ROCK FILTER OUTLET.

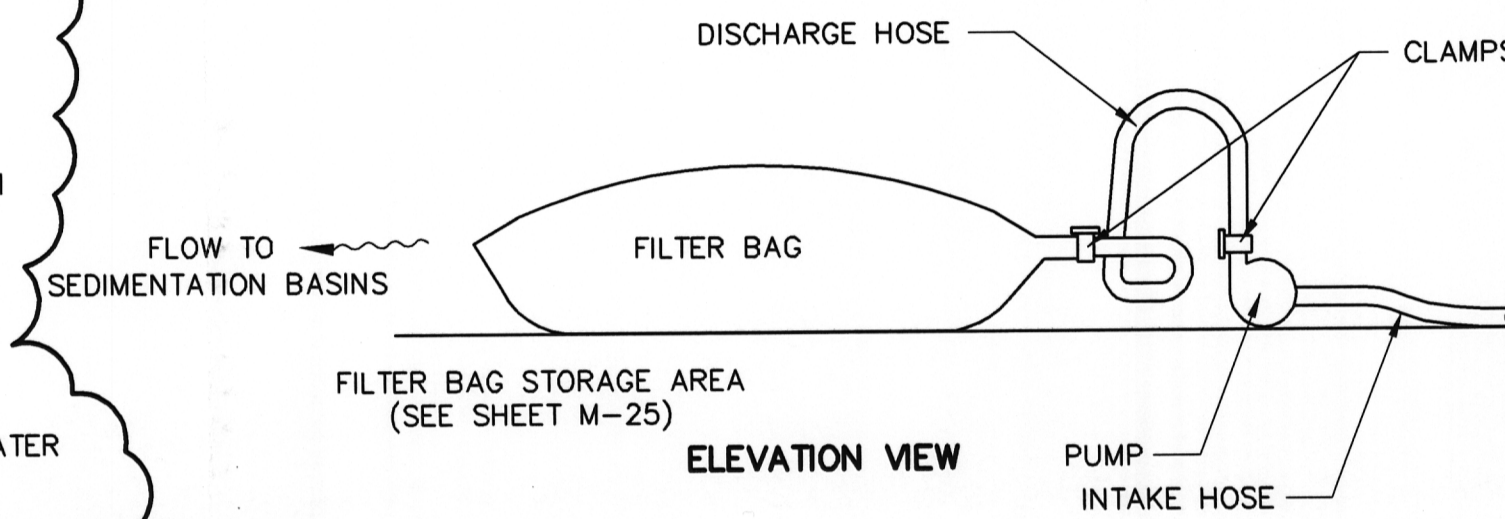
FABRIC FILTER FENCE/
STRAW BALE BARRIER DETAIL

PADEP DETAIL - SCD#21

2	18	24
---	----	----



PLAN VIEW



ELEVATION VIEW

FILTER BAG DETAIL

PADEP DETAIL - SCD#26

- CONTRACTOR SHALL PROVIDE, MAINTAIN, CLEAN OUT AND REPLACE FILTER BAGS AS REQUIRED FOR ENTIRE DURATION OF PROJECT.
- FILTER BAGS SHALL FILTER TO A MINIMUM 200 JIG SIZE.
- CONTRACTOR SHALL PROVIDE ENOUGH FILTER BAGS TO ACCOMMODATE 16,000 GALLONS PER MINUTE PEAK FLOW PRIOR TO DISCHARGE INTO SEDIMENTATION BASINS.
- FILTER BAG SHALL BE PLACED ON FILTER BAG STORAGE AREA AT THE TOP OF THE SEDIMENT BASIN AS SHOWN.

D-20

MALCOLM
PIRNIE

REVISIONS			
NO.	BY	DATE	REMARKS
1	TCS	11/15/05	REVISED PER POST BID CHANGE

DES. BEG
DWN. MAW
CKD. KRM

MOLYCORP, INC
WASHINGTON, PA

SITE REMEDIATION CONSTRUCTION

BEST MANAGEMENT PRACTICE
DETAILS
NOT TO SCALE

COPYRIGHT © 2005
MALCOLM PIRNIE, INC.
DATE JUNE 2005
M SHEET 24 OF 46
CAD REF. NO. M-24