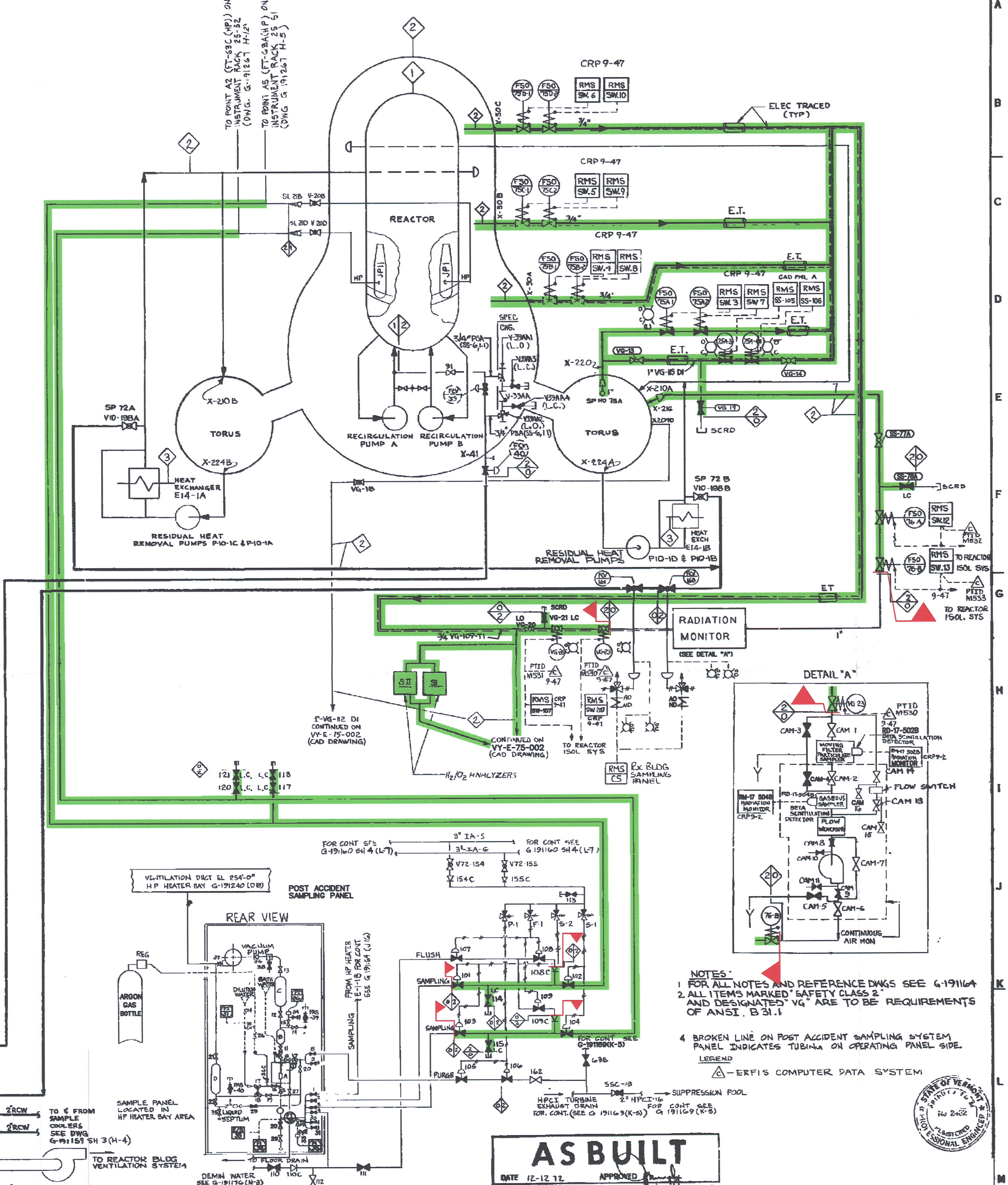
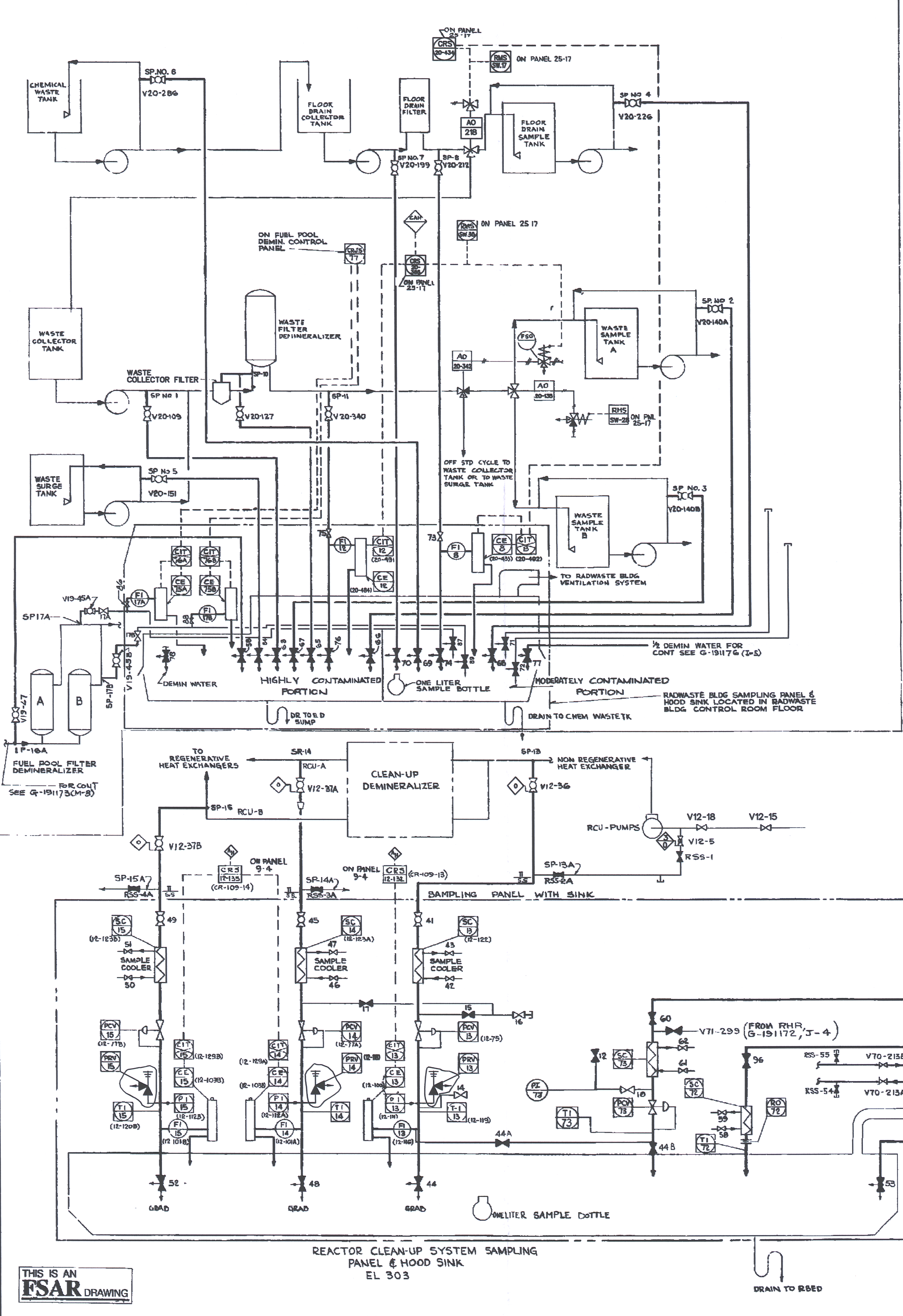


G-191165



AS BUILT
DATE 12-12-12 APPROVED [Signature]

- NOTES:
- FOR ALL NOTES AND REFERENCE DWGS SEE G-191164
 - ALL ITEMS MARKED SAFETY CLASS 2 AND DESIGNATED "VG" ARE TO BE REQUIREMENTS OF ANSI B 31.1
 - BROKEN LINE ON POST ACCIDENT SAMPLING SYSTEM PANEL INDICATES TUBING ON OPERATING PANEL SIDE.
- LEGEND:
 ▲ - ERFS COMPUTER DATA SYSTEM

4.4	REVISED PER CU 2003-029	WD	NL	BJ
4.3	REVISED PER CU ER 2002-0145_03	1-27-03	1-28-03	1-30-03
REV	DESCRIPTION	BY	CHKD.	APPD.
VERMONT YANKEE NUCLEAR POWER CORP. VERMONT YANKEE NUCLEAR POWER STATION VERNON, VERMONT				
DRAWING TITLE FLOW DIAGRAM SAMPLING SYSTEM-SHEET 2				
JOB NO.	DRAWING NO.	G-191165		

SYSTEM INTENDED FUNCTION BOUNDARY

COMPONENTS SUBJECT TO AMR

PRIMARY CONTAINMENT
ATMOSPHERE CONTROL
AND DILUTION SYSTEM AMRM-08

NOTE:
ON THIS LRA DRAWING, ONLY COMPONENTS SUBJECT TO AGING MANAGEMENT REVIEW IN AMRM-08, AGING MANAGEMENT REVIEW OF THE PRIMARY CONTAINMENT ATMOSPHERE CONTROL AND CONTAINMENT DILUTION SYSTEMS ARE HIGHLIGHTED. SIMPLIFIED VERSIONS OF OTHER SYSTEMS WITHIN THE SCOPE OF LICENSE RENEWAL ARE SHOWN ON THIS DRAWING TO ILLUSTRATE THE LOCATION OF SAMPLING POINTS. REFER TO OTHER LRA DRAWINGS FOR DETAILS ON THESE OTHER SYSTEMS.

0	3-29-05				
NO.	DATE	DESCRIPTION	BY	ENG	CHK/APP
REVISIONS					
LRA-G-191165-0					
DGN FILE: LRA-G-191165_44.DGN					
PLOT FILE: G-191165_44.TIF					

Handwritten number: 23