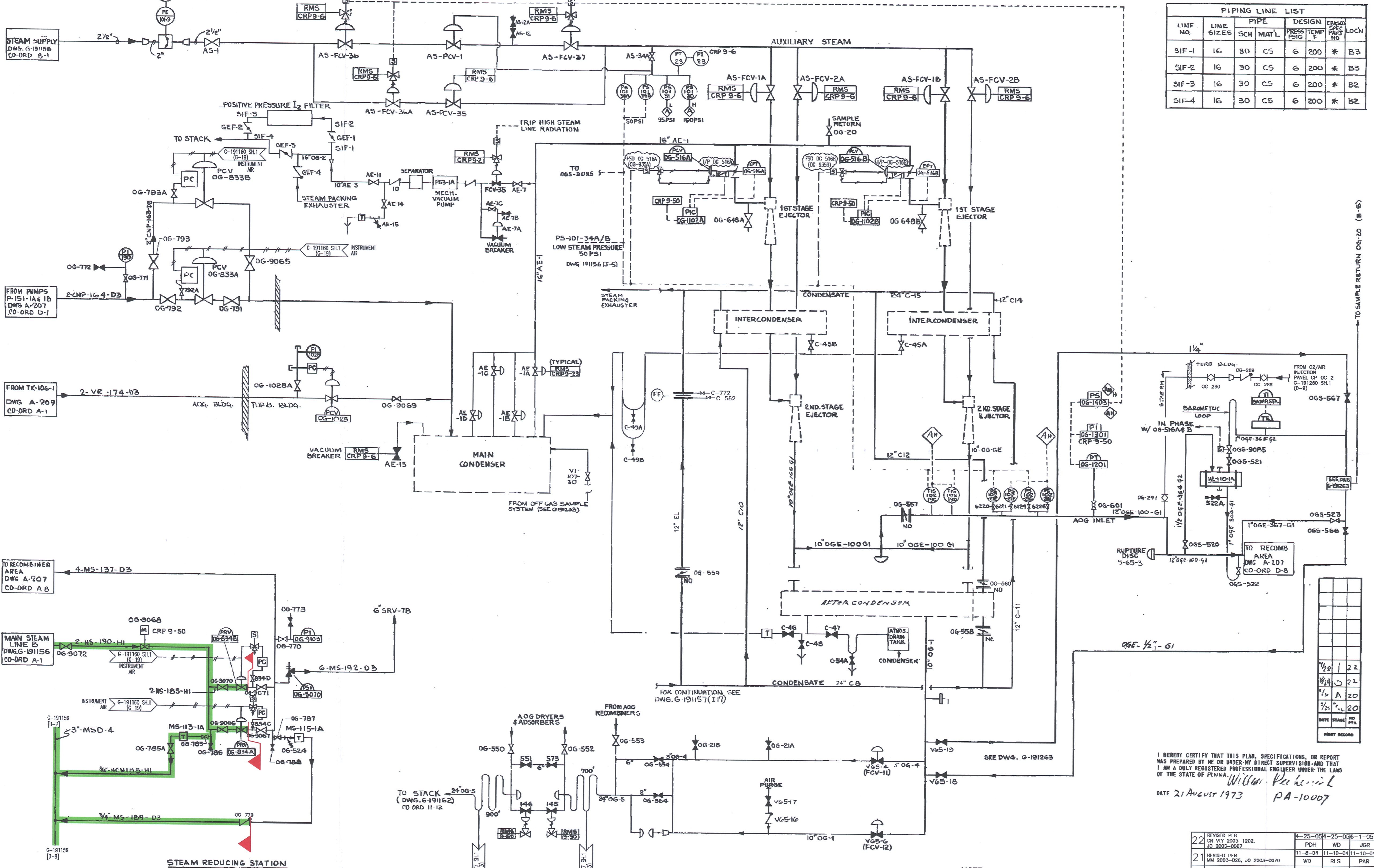


FOR GENERAL NOTES SEE DWG A-201

PIPING LINE LIST							
LINE NO.	LINE SIZES	PIPE SCH	MATL	DESIGN PRESS	TEMP F	BRASS	LOCN
SIF-1	16	30	CS	6	200	*	B3
SIF-2	16	30	CS	6	200	*	B3
SIF-3	16	30	CS	6	200	*	B2
SIF-4	16	30	CS	6	200	*	B2



SYSTEM INTENDED FUNCTION BOUNDARY

COMPONENTS SUBJECT TO AMR
 MAIN CONDENSER AND MSIV LEAKAGE PATHWAY AMRM-26

NOTE: THIS DRAWING SUPERSEDES VOIDED DRAWING A-215 REV.6

I HEREBY CERTIFY THAT THIS PLAN, SPECIFICATIONS, OR REPORT WAS PREPARED BY ME OR UNDER MY DIRECT SUPERVISION AND THAT I AM A DULY REGISTERED PROFESSIONAL ENGINEER UNDER THE LAWS OF THE STATE OF PENNSA.
 DATE 21 August 1973
 PA-10007

22	REVISED PER CR VTY 2000, 1202, JD 2000-0007	4-25-05A-25-05B-1-05	PDH	WD	JGR
21	REVISED PER MA 2003-026, JO 2003-0070	11-8-04 11-10-04 11-10-04	WD	RS	PAR
REV	DESCRIPTION	RY	CHKD.	APPD.	

ENTERGY NUCLEAR VERMONT YANKEE
 VERNON, VERMONT

ENGINEERING FLOW DIAGRAM
 TURBINE BLDG. AREA
 OFF GAS MODIFICATION

JOB NO. DRAWING NO. 33600-A-217

0	8-15-05				
NO.	DATE	DESCRIPTION	BY	ENG	CHK APP
REVISIONS					
LRA-33600-A-217-0					
CAD FILE LRA-33600-A-00217_22.DGN					
MASTER FILE 33600-A-00217-CALS_22.CAL					

D-01