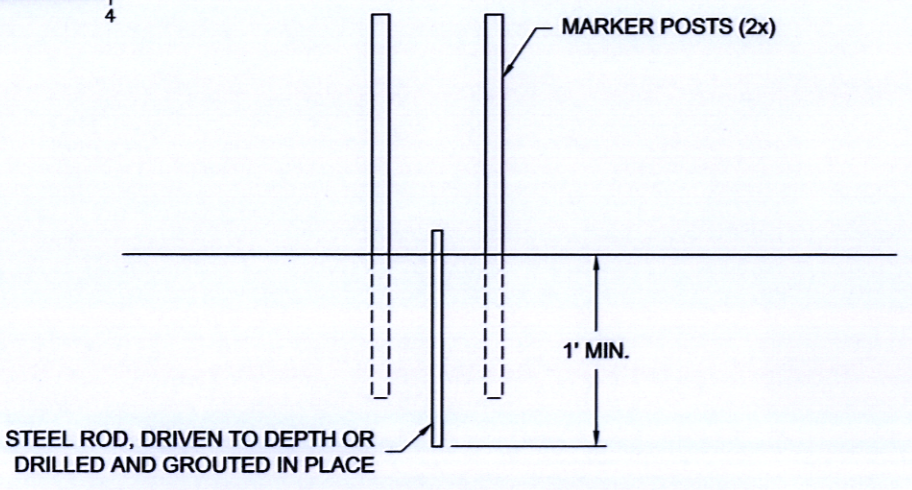
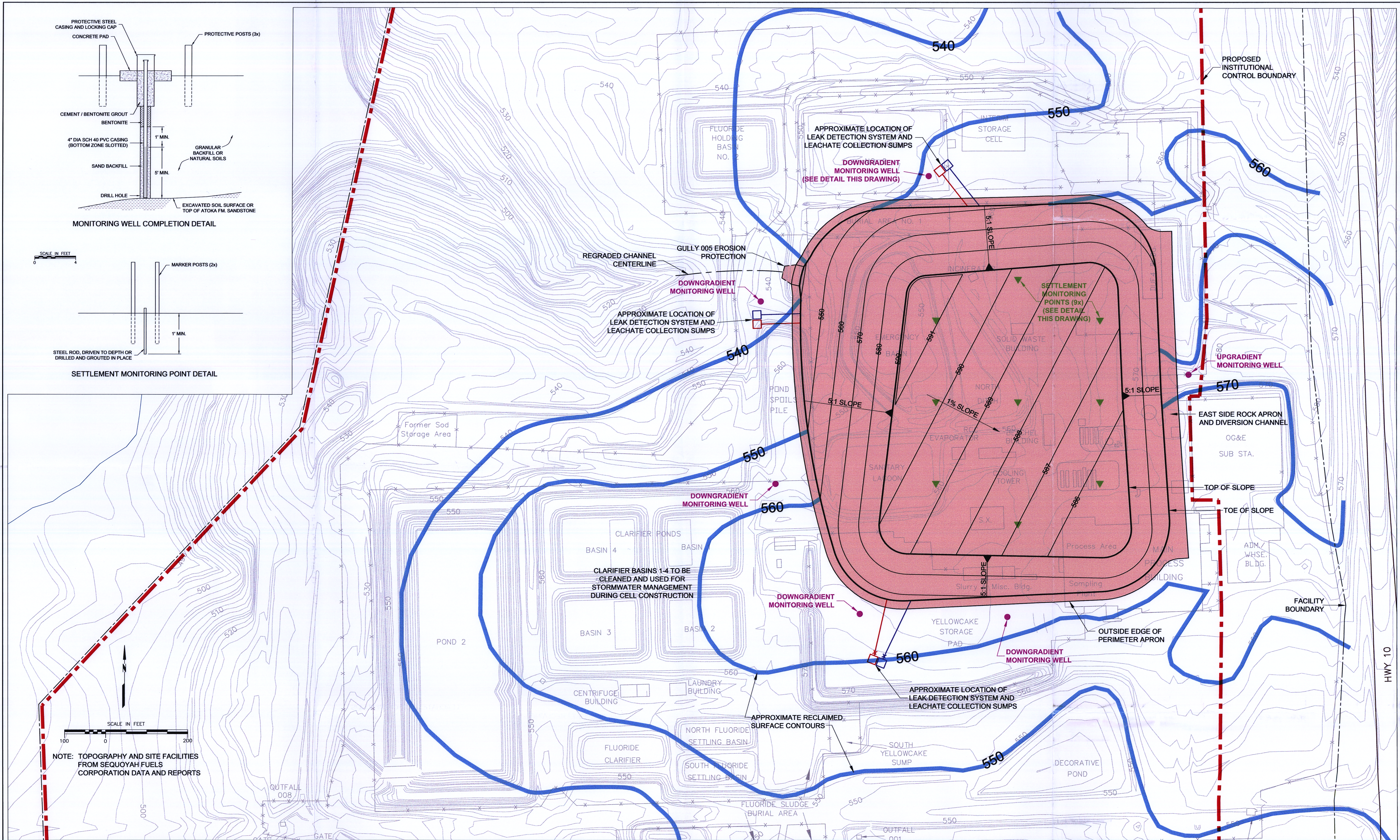


MONITORING WELL COMPLETION DETAIL

SCALE IN FEET
0 4



SETTLEMENT MONITORING POINT DETAIL



SCALE IN FEET
100 0 200

NOTE: TOPOGRAPHY AND SITE FACILITIES FROM SEQUOYAH FUELS CORPORATION DATA AND REPORTS

NO.	DESCRIPTION	BY	CHKD.	APPROVED	DATE
1	ISSUED FOR PERMITTING	CLS			12/02
2	UPDATED LINER SYSTEM	CLS			8/03
3	DISPOSAL CELL CONSTRUCTION PLAN	CLS			2/04
4	MODIFIED FROM SETTLEMENT AGREEMENT	CLS			3/05
5	MODIFIED FROM NRC REVIEW	CLS			1/06

DWG No.	DRAWING TITLE

ENGINEERING RECORD	BY	DATE
PRELIMINARY DESIGN	CLS	10/02
CELL OPERATIONS	DAS	2/04
ODEQ MODIFICATIONS	CLS	9/04

PREPARED BY

Fort Collins, CO
970 223-9600

PREPARED FOR

TITLE			
RECLAIMED DISPOSAL CELL LAYOUT			
PROJECT: 100734	DATE: JANUARY 2006	DRAWING: 13	REVISION: 13
SCALE: AS SHOWN	ACAD FILE: SITE-13-REV-E		