

From: "Lindgren, Donald A." <lindg1da@westinghouse.com>
To: "jnw@nrc.gov" <jnw@nrc.gov>, 'Lauren Quinones' <LNQ@nrc.gov>
Date: Tue, Nov 1, 2005 4:47 PM
Subject: AP1000 Fire Protection System Line Numbers

Attached is an updated version of the changes proposed for the fire protection system Tier 1 Table 2.3.4-4. In response to an NRC request and as a result of an internal review the figure 9.5-1 in Tier 2 will be redrawn. The redrawn figure is attached. This figure now includes the line numbers on the table 2.3.4-4 include five that have been added. There are no line numbers to be removed.

I have also attached the change package for Tier 1 2.3.4 including the updated table 2.3.4-4. This change package does not include the figure.

If you have any question please call.

Don Lindgren 412-374-4856

CC: "Hutchings, Donald F." <hutchidf@westinghouse.com>, "Cummins, Ed" <cumminwe@westinghouse.com>, "Vijuk, Ronald P." <vijukrp@westinghouse.com>

Mail Envelope Properties (4367E275.3BB : 10 : 29627)

Subject: AP1000 Fire Protection System Line Numbers
Creation Date: Tue, Nov 1, 2005 4:46 PM
From: "Lindgren, Donald A." <lindglda@westinghouse.com>

Created By: lindglda@westinghouse.com

Recipients

nrc.gov

owf4_po.OWFN_DO
JNW (Jerry Wilson)
LNQ (Lauren Quinones)

westinghouse.com

vjukrp CC (Ronald P. Vijuk)
cumminwe CC (Ed Cummins)
hutchildf CC (Donald F. Hutchings)

Post Office

owf4_po.OWFN_DO

Route

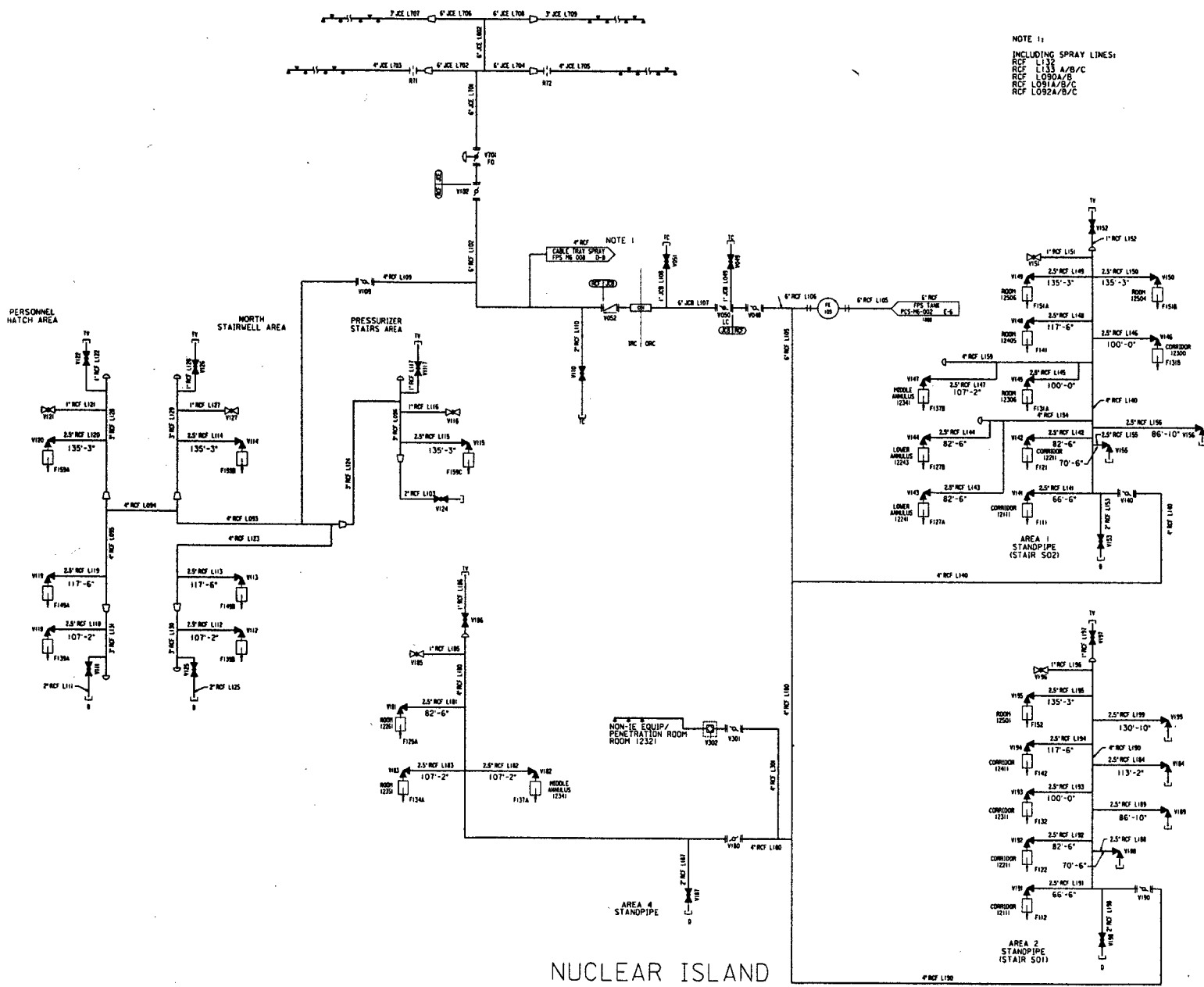
nrc.gov
westinghouse.com

Files	Size	Date & Time
MESSAGE	612	Tuesday, November 1, 2005 4:46 PM
fig9_5-1.pdf	163254	
2_3_4.pdf	78538	
Mime.822	333307	

Options

Expiration Date: None
Priority: High
Reply Requested: No
Return Notification: None

Concealed Subject: No
Security: Standard



NOTE 1:
 INCLUDING SPRAY LINES:
 RCF L133
 RCF L133 A/B/C
 RCF L090A/B
 RCF L091A/B/C
 RCF L092A/B/C

NUCLEAR ISLAND

RCF L130

PROPOSED REVISION 15
AP1000 DESIGN CONTROL DOCUMENT

Tier 1 Tables 2.3.4-2 and 2.3.4-4; and Tier 2 Figure 9.5.1-1

Fire Protection System

Description of Change

Provide precise references for ITAAC item 3 in Tier 1 Table 2.3.4-2. Revise the list of fire protection system piping that must remain functional following a safe shutdown earthquake. Revise Tier 2 Figure 9.5.1-1 to show line numbers.

Technical Justification

Change ITAAC item 2 in Tier 1 Table 2.3.4-2 to provide direct reference to the relevant material. The changes in Table 2.3.4-4 make the list consistent with the latest P&IDs for the fire protection system.

Regulatory Consequence

This change has no effect on design function. This change has no adverse effect on analysis or analysis method. The FSER is not affected by the changes. Other than Tables 2.3.4-2 and 2.3.4-4, Tier 1 information is not affected.

Change Markup

Tier 1 Table 2.3.4-2 Revise Tier 1 Table 2.3.4-2, item 3 as shown on the next page.

Table 2.3.4-2 Inspections, Tests, Analyses, and Acceptance Criteria		
Design Commitment	Inspections, Tests, Analyses	Acceptance Criteria
3. The FPS provides the safety-related function of preserving containment integrity by isolation of the FPS line penetrating the containment.	See Tier 1 Material, <u>Table 2.2.1-3, items 1 and 7, subsection 2.2.1, Containment System.</u>	See Tier 1 Material, <u>Table 2.2.1-3, items 1 and 7, subsection 2.2.1, Containment System.</u>

Tier 1 Table 2.3.4-4 Revise Tier 1 Table 2.3.4-4 as shown on the next page.

Tier 2 Figure 9.5.1-1 (Sheet 3 of 3) Revise Tier 2 Figure 9.5.1-1 (Sheet 3 of 3) to include line number as shown on second page following.

PROPOSED REVISION 15
AP1000 DESIGN CONTROL DOCUMENT

Table 2.3.4-4 FPS Piping Which Must Remain Functional Following a Safe Shutdown Earthquake			
<u>L049</u>			
L090A	L116	L144	L190
L090B	L117	L145	L191
L091A	L118	L146	L192
L091B	L119	L147	L193
L091C	L120	L148	L194
L092A	L121	L149	L195
L092B	L122	L150	L196
L092C	L123	L151	L197
L093	L124	L152	L198
L094	L125	L153	L199
L095	L126	L154	L301
<u>L096</u>		<u>L155</u>	
L102	L127	L156	L701
L103	L128	L159	L702
	<u>L129</u>		
L105	L130	L180	L703
L106	L131	L181	L704
L107	L132	L182	L705
<u>L108</u>			
L109	L133A	L183	L706
L110	L133B	L184	L707
L111	L133C	L185	L708
L112	L140	L186	L709
L113	L141	L187	
L114	L142	L188	
L115	L143	L189	

PROPOSED REVISION 15
AP1000 DESIGN CONTROL DOCUMENT

Figure 9.5.1-1 (Sheet 3 of 3)

**Fire Protection System
Piping and Instrumentation Diagram**
(REF FPS 004)