

From: "Lindgren, Donald A." <lindg1da@westinghouse.com>
To: "LNQ@nrc.gov" <LNQ@nrc.gov>, "jnw@nrc.gov" <jnw@nrc.gov>
Date: Tue, Oct 25, 2005 4:54 PM
Subject: AP1000 Fire Protection

Attached is a revised change package for the AP1000 fire protection Tier 1 information. These changes were in response to your request for definition of line numbers. The separate pdf figure will be Figure 9.5.1-1.

D. A. Lindgren
<<2_3_4R.doc>>

CC: "Hutchings, Donald F." <hutchidf@westinghouse.com>

Mail Envelope Properties (435E9B87.6FC : 8 : 18172)

Subject: AP1000 Fire Protection
Creation Date: Tue, Oct 25, 2005 4:53 PM
From: "Lindgren, Donald A." <lindglda@westinghouse.com>

Created By: lindglda@westinghouse.com

Recipients

nrc.gov
 owf4_po.OWFN_DO
 LNQ (Lauren Quinones)
 JNW (Jerry Wilson)

westinghouse.com
 hutchidf CC (Donald F. Hutchings)

Post Office
 owf4_po.OWFN_DO

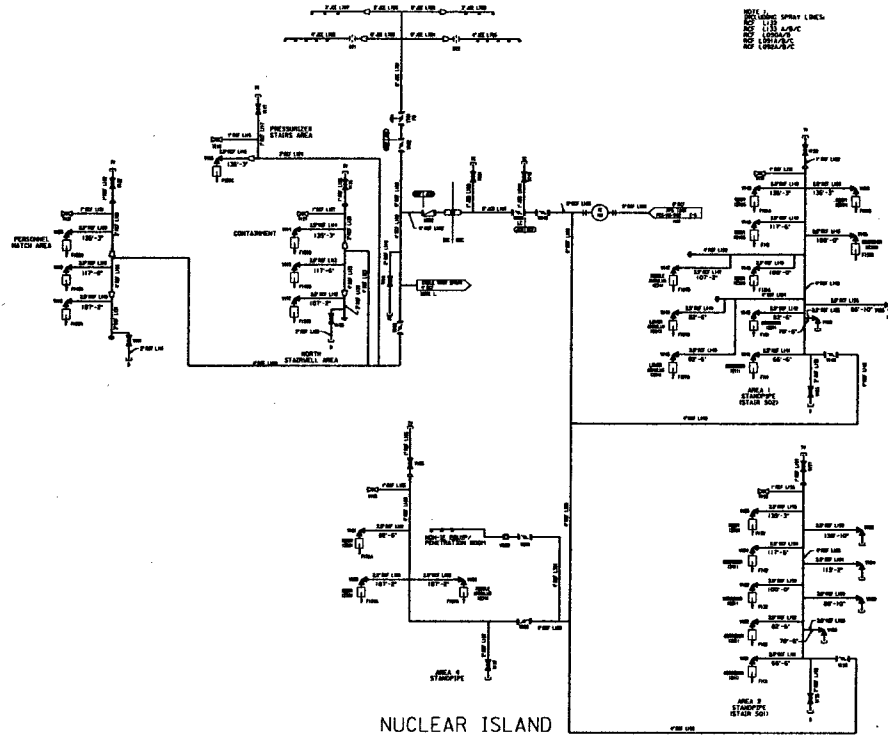
Route
 nrc.gov
 westinghouse.com

Files	Size	Date & Time
MESSAGE	253	Tuesday, October 25, 2005 4:53 PM
FIG951-1.pdf	156223	
2_3_4R.doc	72704	
Mime.822	315255	

Options

Expiration Date: None
Priority: High
Reply Requested: No
Return Notification: None

Concealed Subject: No
Security: Standard



PROPOSED REVISION 15
AP1000 DESIGN CONTROL DOCUMENT

Tier 1 Table 2.3.4-4
Fire Protection System

Description of Change

Provide precise references for ITAAC Item 3 in Tier 1 Table 2.3.4-2. Revise the list of fire protection system piping that must remain functional following a safe shutdown earthquake. Revise Tier 2 Figure 9.5.1-1 to show line numbers.

Technical Justification

Change ITAAC Item 2 in Tier 1 Table 2.3.4-2 to provide direct reference to the relevant material. The changes in Table 2.3.4-4 make the list consistent with the latest P&IDs for the fire protection system.

Regulatory Consequence

This change has no effect on design function. This change has no adverse effect on analysis or analysis method. The FSER is not affected by the changes. Other than Tables 2.3.4-2 and 2.3.4-4, Tier 1 information is not affected.

Change Markup

Tier 1 Table 2.3.4-4 Revise Tier 1 Table 2.3.4-2, Item 3 as shown on the next page.

Table 2.3.4-2 Inspections, Tests, Analyses, and Acceptance Criteria		
Design Commitment	Inspections, Tests, Analyses	Acceptance Criteria
3. The FPS provides the safety-related function of preserving containment integrity by isolation of the FPS line penetrating the containment.	1. See Tier 1 Material, Table 2.2.1-3, Items 1 and 7.	See Tier 1 Material, Table 2.2.1-3, Items 1 and 7.

Tier 1 Table 2.3.4-4 Revise Tier 1 Table 2.3.4-4 as shown on the next page.

Tier 2 Table 9.5.1-1 (Sheet 3 of 3) Revise Tier 2 Table 9.5.1-1 (Sheet 3 of 3) to include line number as shown on second page following.

PROPOSED REVISION 15
API1000 DESIGN CONTROL DOCUMENT

L049			
L090A	L116	L144	L190
L090B	L117	L145	L191
L091A	L118	L146	L192
L091B	L119	L147	L193
L091C	L120	L148	L194
L092A	L121	L149	L195
L092B	L122	L150	L196
L092C	L123	L151	L197
	L124	L152	L198
	L125	L153	L199
	L126	L154	L301
		L155	
L102	L127	L156	L701
	L128	L159	L702
	L129		
L105	L130	L180	L703
L106	L131	L181	L704
L107	L132	L182	L705
L108			
L109	L133A	L183	L706
L110	L133B	L184	L707
L111	L133C	L185	L708
L112	L140	L186	L709
L113	L141	L187	
L114	L142	L188	
L115	L143	L189	

PROPOSED REVISION 15
API1000 DESIGN CONTROL DOCUMENT

Figure 9.5.1-1 (Sheet 3 of 3)
Fire Protection System
Piping and Instrumentation Diagram



PROPOSED REVISION 15
AP1000 DESIGN CONTROL DOCUMENT

(REF FPS 004)

