

HEALTH PHYSICS ASSOCIATES, INC.

1005 Old Route 22, PO Box 214, Lenhartville, PA 19534
(610) 756- 4153 (Voice) (610) 756 0042 (Fax)
alamastra@enter.net

Facsimile Transmittal

To	Chris Bland - Epsilon	Fax	866-766-2129
From:	Tony LaMastra	Date:	August 29, 2005
Re:	Survey Data	Pages:	4 Including cover
cc:			
<input type="checkbox"/> Urgent <input type="checkbox"/> For Review <input type="checkbox"/> Please Comment <input type="checkbox"/> Please Reply <input type="checkbox"/> Please Recycle			

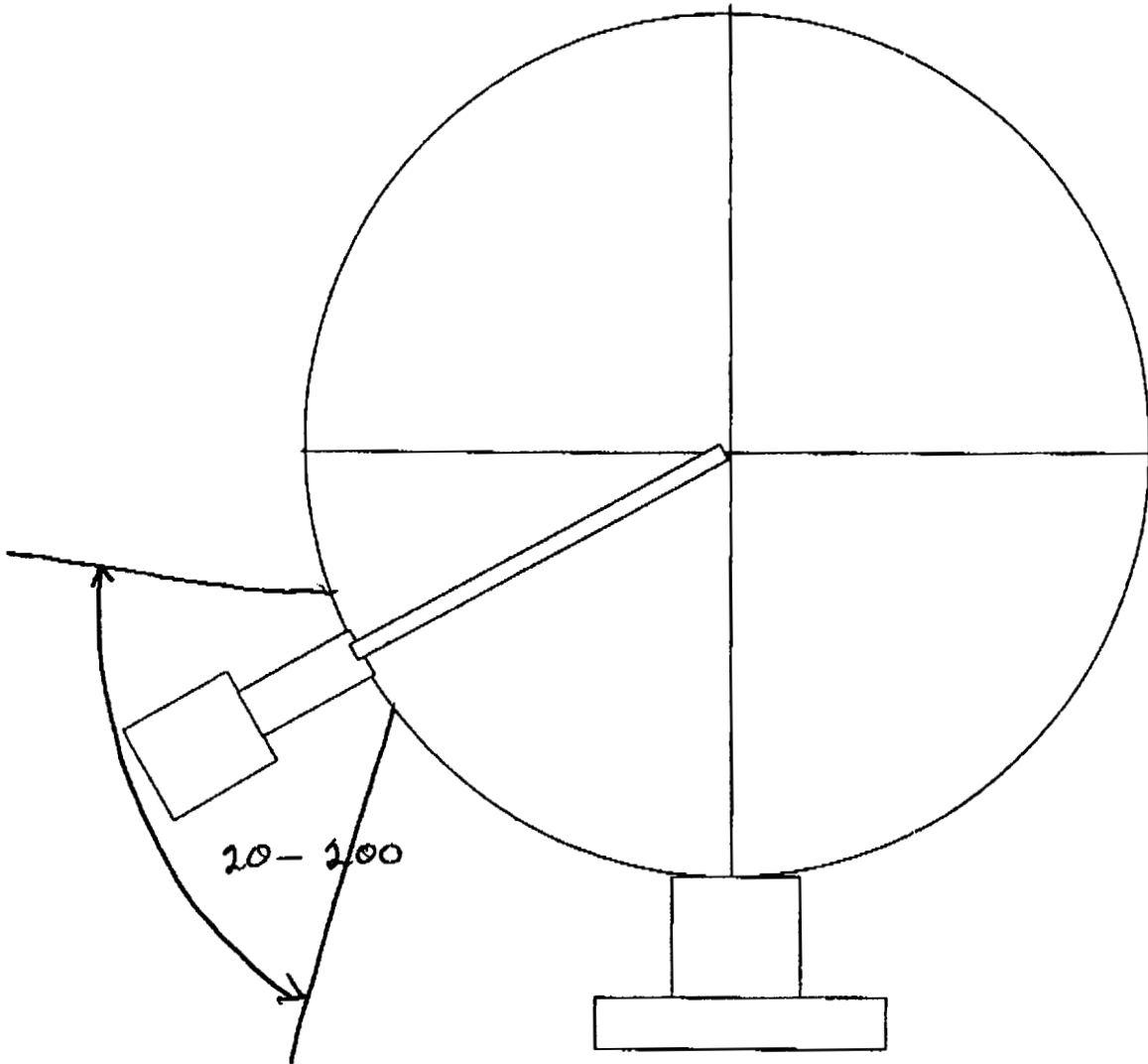
Chris:

Attached is the data you requested.

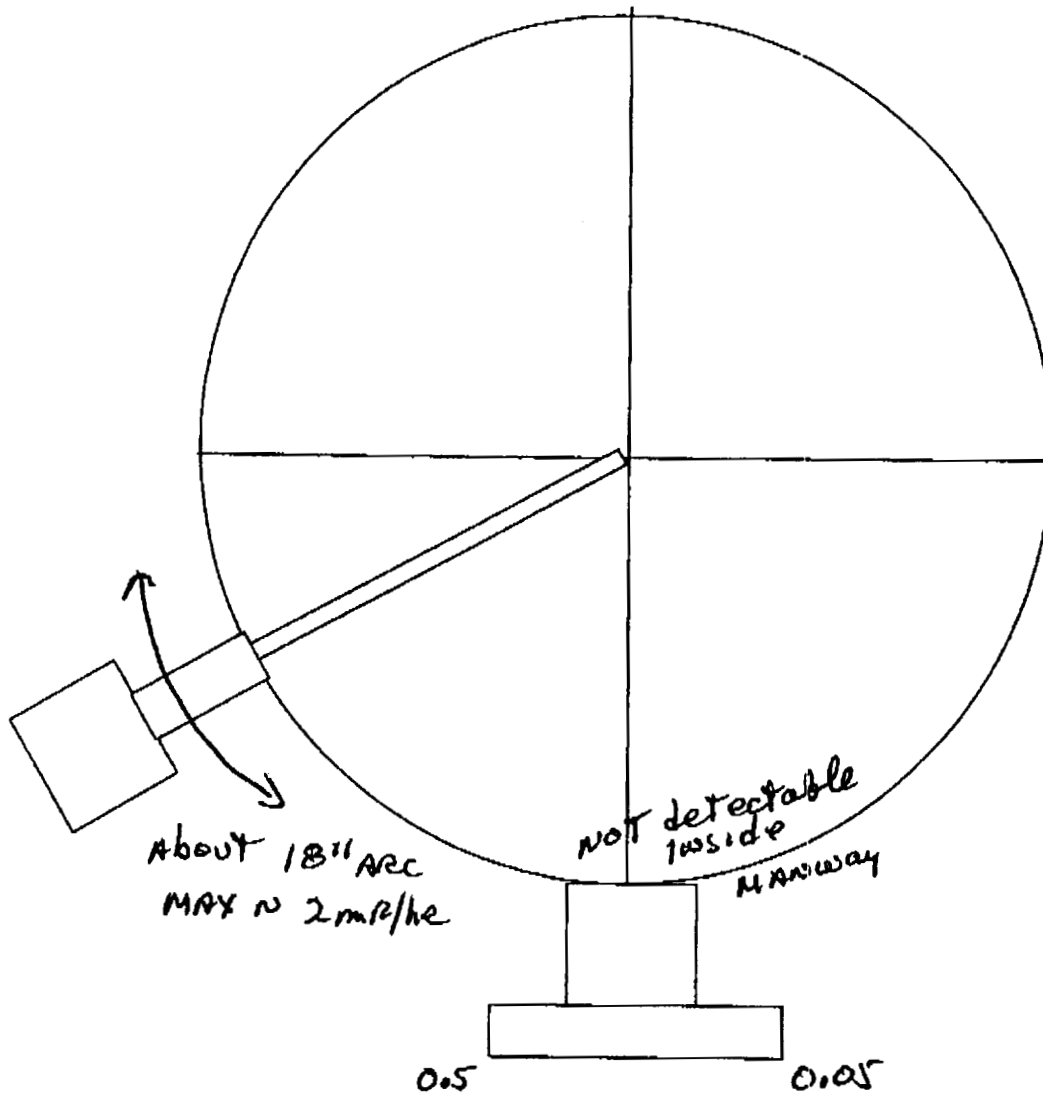
Tony LaMastra

.....

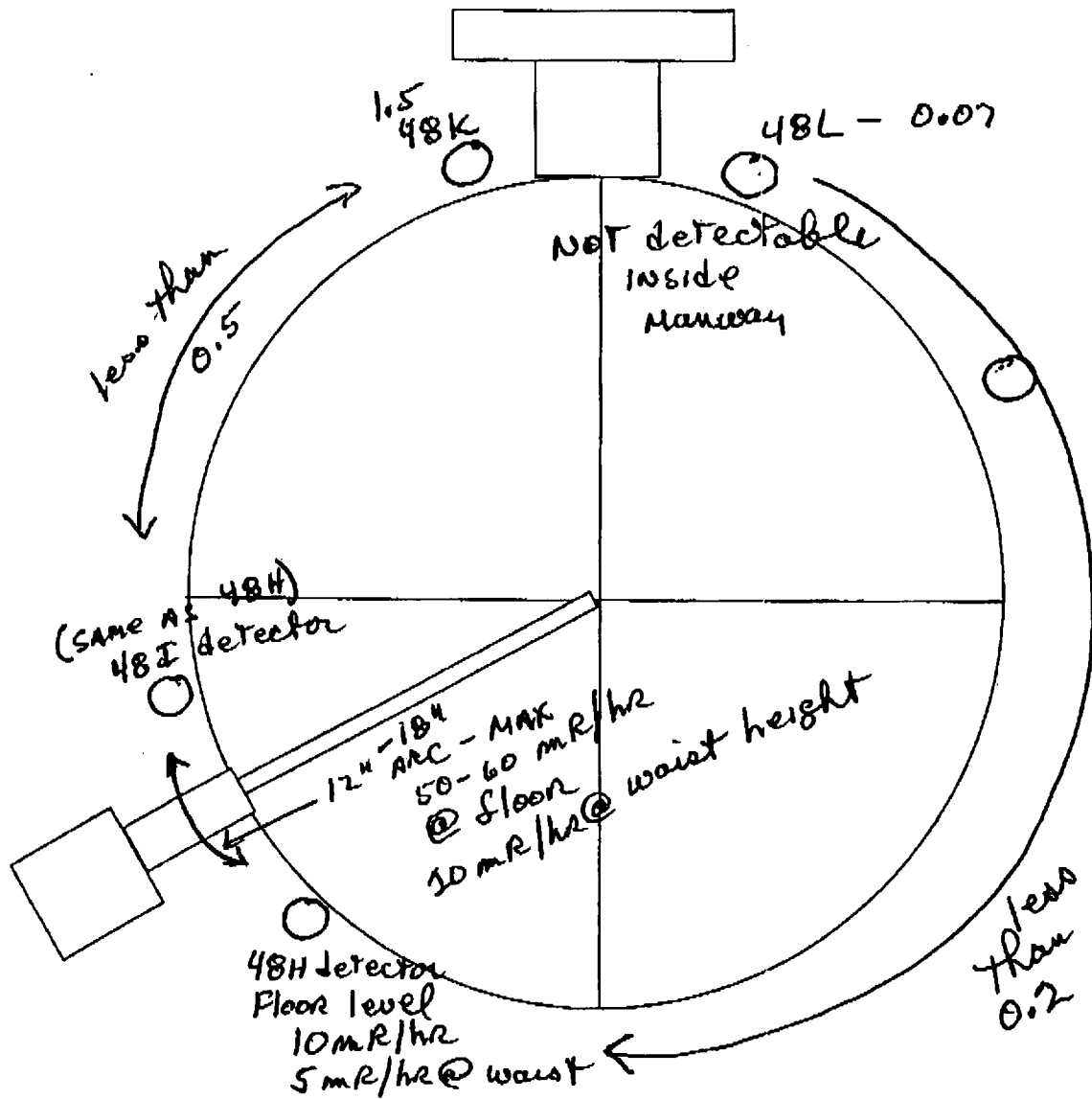
.....



⇒ 3rd Level and Manway below the plate
Readings on 3rd level - head height



6th Level and "G" Manway



4th Level and "A" Manway