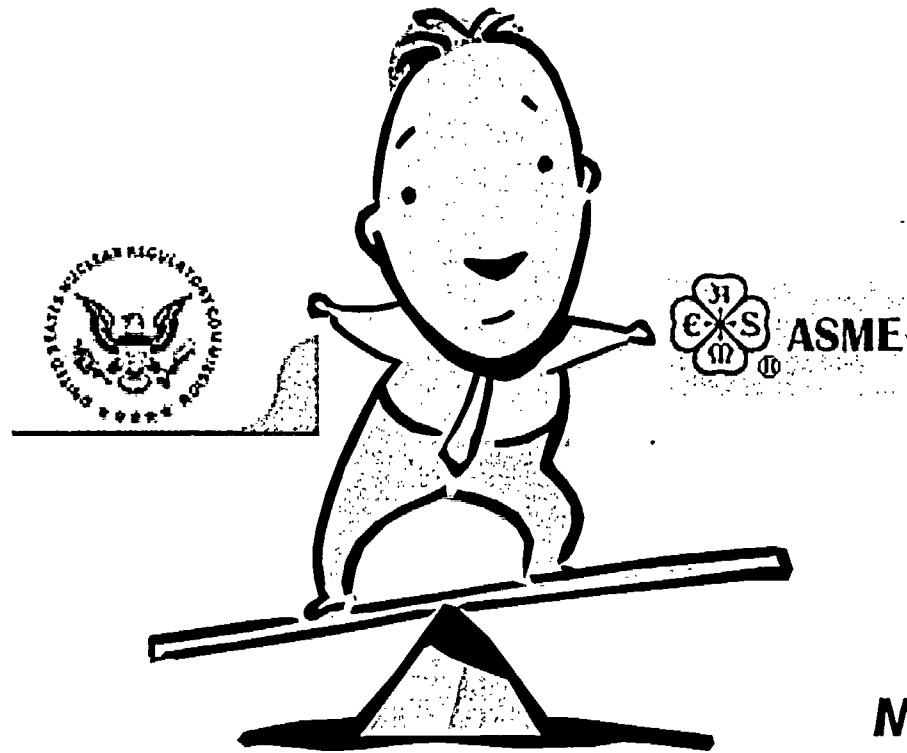


# Code status



**Mike Gothard**  
**Project Manager**  
**May 25, 2005**

# Code Activities

**Codes & Standards** •••• **Project Mgr Records**

LOGOUT | PUBLICATIONS | C&S CONNECT | COMMITTEE CENTRAL | MEETINGS | STATE

SEARCH

My Committee Page | Search | VCC | AS-11 | Reports

My Profile | Ballots | W/D Negatives | Project Mgr Records | Custom Tracking

Hide Selected Records Show:  Visible Records  Hidden Records  All Records

Hide	Tracking#	Primary Committee	Item Level	Subject	
<input type="checkbox"/>	BC04-1093	BPV SC-XI	SC Proposal	Section XI - Figure IWB-2500-8c	<a href="#">Update</a>
<input type="checkbox"/>	BC04-1094	BPV SC-XI	Board Approved	Section XI, Appendix VIII, Supplement 11 – Qualification Requirements For Full Structural Overlaid Wought Austenitic Piping Welds.	<a href="#">Update</a> <a href="#">Post Response</a>
<input type="checkbox"/>	BC04-1560	BPV SC-XI	Board Approved	Section XI, Appendix VIII, Supplements 5 and 7, - Qualification Requirements for Nozzle Examinations from the Outside and Insides Surfaces	<a href="#">Update</a> <a href="#">Post Response</a>
<input type="checkbox"/>	BC04-1561	BPV SC-XI	Board Approved	Section XI, Appendix I - Ultrasonic Examinations	<a href="#">Update</a> <a href="#">Post Response</a>
<input type="checkbox"/>	BC04-1569	BPV SC-XI	Board Approved	Section XI, IWA-2231, Radiography using phosphor imaging plates	<a href="#">Update</a> <a href="#">Post Response</a>
<input type="checkbox"/>	BC05-44	BPV SC-XI	SC Proposal	SECTION XI, Revisions to APPENDIX VIII - SUPPLEMENT 4 and 6	<a href="#">Update</a>
<input type="checkbox"/>	BC05-147	BPV SC-XI	SC Proposal	Section XI - Figures IWB-2500-7(a),(b),(c) and (d)	<a href="#">Update</a>
<input type="checkbox"/>	BC05-645	BPV SC-XI	SC Proposal	Section XI - Appendix VIII, Supplement 8, Bolting	<a href="#">Update</a>
<input type="checkbox"/>	BC05-646	BPV SC-XI	SC Proposal	Section XI - Appendix VIII, Supplement 12	<a href="#">Update</a>
<input type="checkbox"/>	BC05-647	BPV SC-XI	SC Proposal	Section XI - Appendix VIII, Supplement 13	<a href="#">Update</a>



# Code status - Scanning Interpretation

Section XI - Interpretations No. 32

XI-1-92-39, XI-1-92-40

**Interpretation: XI-1-92-39**

**Subject:** Section XI, IWA-2300 and Appendix VIII-1100(c); Performance Demonstration for Ultrasonic Examination - Personnel Qualification (1989 Edition With 1989 Addenda Through 1991 Addenda)

**Date Issued:** August 27, 1992

**File:** IN92-032

**Question (1):** Do the requirements of Appendix VIII, VIII-1100(c) apply to personnel whose only function is transcribing information provided by the examiner?

**Reply (1):** No.

**Question (2):** Do the requirements of Appendix VIII, VIII-1100(c) apply to personnel, qualified in accordance with IWA-2300, whose only function is the scanning and physical manipulation of the ultrasonic transducer, at the direction of an individual who determines which indications should be recorded and or interpreted?

**Reply (2):** No.

# Code status – IWB-2500-8c

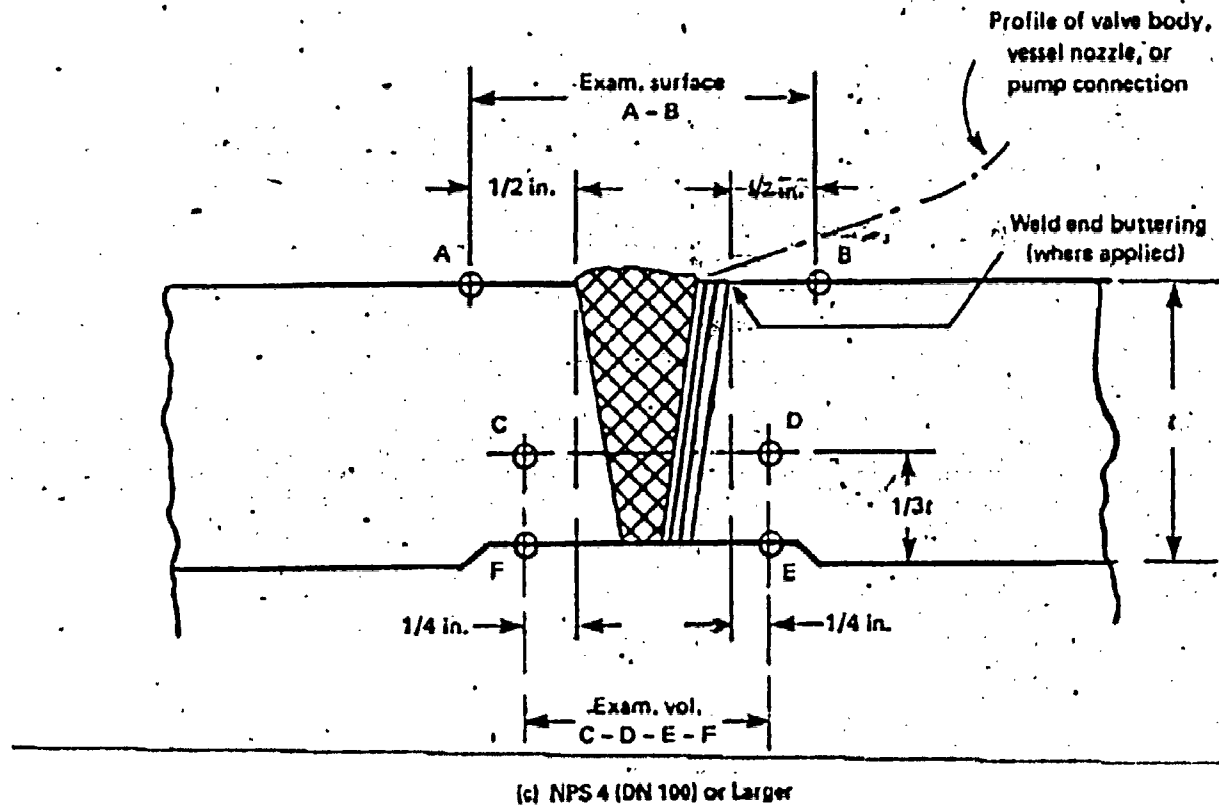


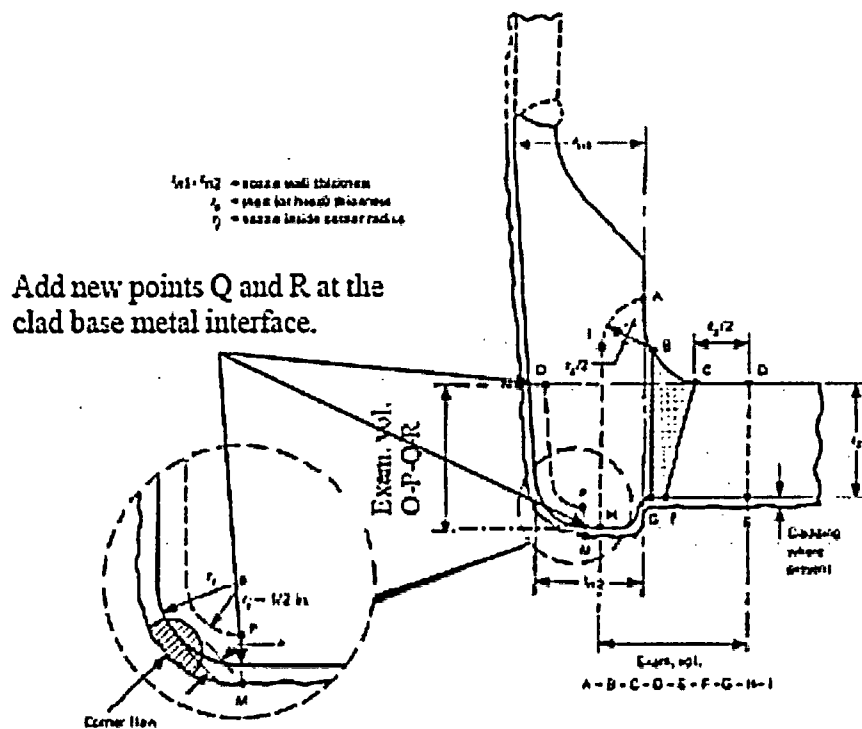
FIG. IWB-2500-8 SIMILAR AND DISSIMILAR METAL WELDS IN COMPONENTS, NOZZLES, AND PIPING  
(CONT'D)  
(1/2 in. = 13 mm, 1/4 in. = 6 mm)

Note, when weld end buttering is present on both sides, the examination surface and volume shall be measured from the end of both butterings. It may include remnants of replaced welds, and may appear artificially deep on exposed surfaces due to fabrication processes. Buttering thickness may be determined from manufacturer's drawings or presumed to be 1/2 in. if true dimension is unknown.

# Code status – IWB-2500-7x

FIG. IWB-2500-7(a)

2001 SECTION XI, DIVISION 1



**EXAMINATION REGION (Para 11)**  
 Sash bar lead spring region  
 Attachment weld region  
 Nozzle caliche region  
 Nozzle inside corner region

**EXAMINATION VOLUME (Para 12)**  
 CDEF  
 BCFG  
 A-B-C-D-E-F-G-H-I  
 O-P-Q-R

**NOTES:**  
 (1) Examination regions are identified for the purpose of determining the occurrence standards in MD-3312.  
 (2) Examination volumes may be determined either by direct measurements on the component or by measurements based on design drawings.

**FIG. IWB-2500-7(a) NOZZLE IN SHELL OR HEAD**  
 (Examination Zones in Barrel Type Nozzles Joined by Full Penetration Corner Welds)  
 (1/2 in. = 13 mm)



## Code status - Axial Flaws

- ▼ Appendix VIII, Supplements 2, 3, 10, 11, and newly created 14 may not have provisions for qualification of procedures, personnel, and equipment for length and depth sizing of axial flaws. This exclusion is reasonable since axially oriented service induced flaws are typically confined by the failure mechanism, (i.e., to the heat-affected zone for example, IGSCC (Intergranular Stress Corrosion Cracking) or the weld for PWSCC (Primary Water Stress Corrosion Cracking)) thus providing defined start and stop points that are within the 0.75 in. allowable RMS error.
- ▼ The recent initiation of PWSCC in PWR components increases the probability that these measurements will be needed and this change is intended to provide guidance.
- ▼ No action this meeting – complexity is increasing with comments relating to curved shoes needing to be addressed.



# Code status - New - Computer Operator Interpretation

Interpretation: XI-1-YY-ZZ

Subject: ASME Section XI, Appendix VII, Article VII-1000

Date Issued: TBD

File: TBD

Question: Is it the intent of Appendix VII, Article VII-1000 to certify personnel in accordance with IWA-2300 if they are operating an automated data acquisition system (i.e., ultrasonic scanning and data collection system) where knowledge of ultrasonics is not required and the essential variables are pre-established and verifiable in post-examination data files?

Proposed reply:

No

- No negatives – received suggestion to use Appendix IV as a guide and place the change in VII-2000



## Code status - New - Threads in Flange

- ▼ Appendix I, I-2300, Bolts and Studs, states: "Ultrasonic examination procedures, equipment, and personnel used to detect flaws in bolts and studs shall be qualified by performance demonstration in accordance with Appendix VIII and no other I-2000 requirements apply.
- ▼ Appendix I, I-2400, All other Examinations, states: When the requirements of I-2100 (Vessels > 2in), I-2200 (Welds in Piping), or I-2300 (Bolts and Studs) do not apply, the ultrasonic examination shall be conducted in accordance with the applicable requirements of Article 4 of Section V, as supplemented by Table I-2000-I (Required Supplements).
- ▼ The above causes some confusion with some utilities performing the examination to Section V, Article 4, while others use Appendix VIII, Supplement 8, for the Thread in Flange examination, while others use a combination of the two.
- ▼ Effective with the 2002 Addenda of Section V, T-445, Inservice examination of Bolts and Studs was removed. So the use of Article 4, Section V is no longer a viable option.
- ▼ Since threads in flange ligaments are included in Examination Category B-G-1, the use of Appendix VIII, Supplement 8 is a viable option.
- ▼ Roger Bentley and Mike Gothard will work through ISI Optimization to have this examination removed from the Code.





# Code status - New - Alloy 600 Task Group

- ▼ Alloy 600 Task Group is requesting that SG NDE develop an Appendix VIII style qualification for head penetrations.
- ▼ NRC Response to CC N-729 – PWR Upper Head
- ▼ “The NRC staff disagrees with the -2500 of the proposed Code Case which specifies that volumetric and surface examinations shall be qualified in accordance with the low rigor requirements of Article 14 of Section V. Because Section XI, Appendix VIII does not address the inspection requirements of these components, the NRC staff recommends revising -2500 to reflect that qualification of UT and ET personnel, procedures and equipment, consistent with the intent of Section XI, Appendix VIII.”
- ▼ CC N-722 – Additional PWR examinations

(5) An ultrasonic examination, performed from the component inside or outside *surface* diameter and in accordance with the requirements of ~~Section XI~~ Table IWB-2500-1 and Appendix VIII, shall be acceptable in lieu of the VE requirement of this table.

*(1995 Edition with 1996 Addenda or later)*

(6) VE shall be performed per the schedule in ~~paragraph IWB-2400 of Section XI of the ASME Boiler and Pressure Vessel Code.~~

*in accordance with*



## Code status - New – Combined Appendix VIII Surface Examination Task Group

---

- ▼ **Held first meeting in May 2005**
- ▼ **David Kurek is TG Chairman**
- ▼ **Initially implementing requirements via a Code Case**
- ▼ **It will ultimately become a new Supplement to the existing Appendix IV - Surface Eddy Current**