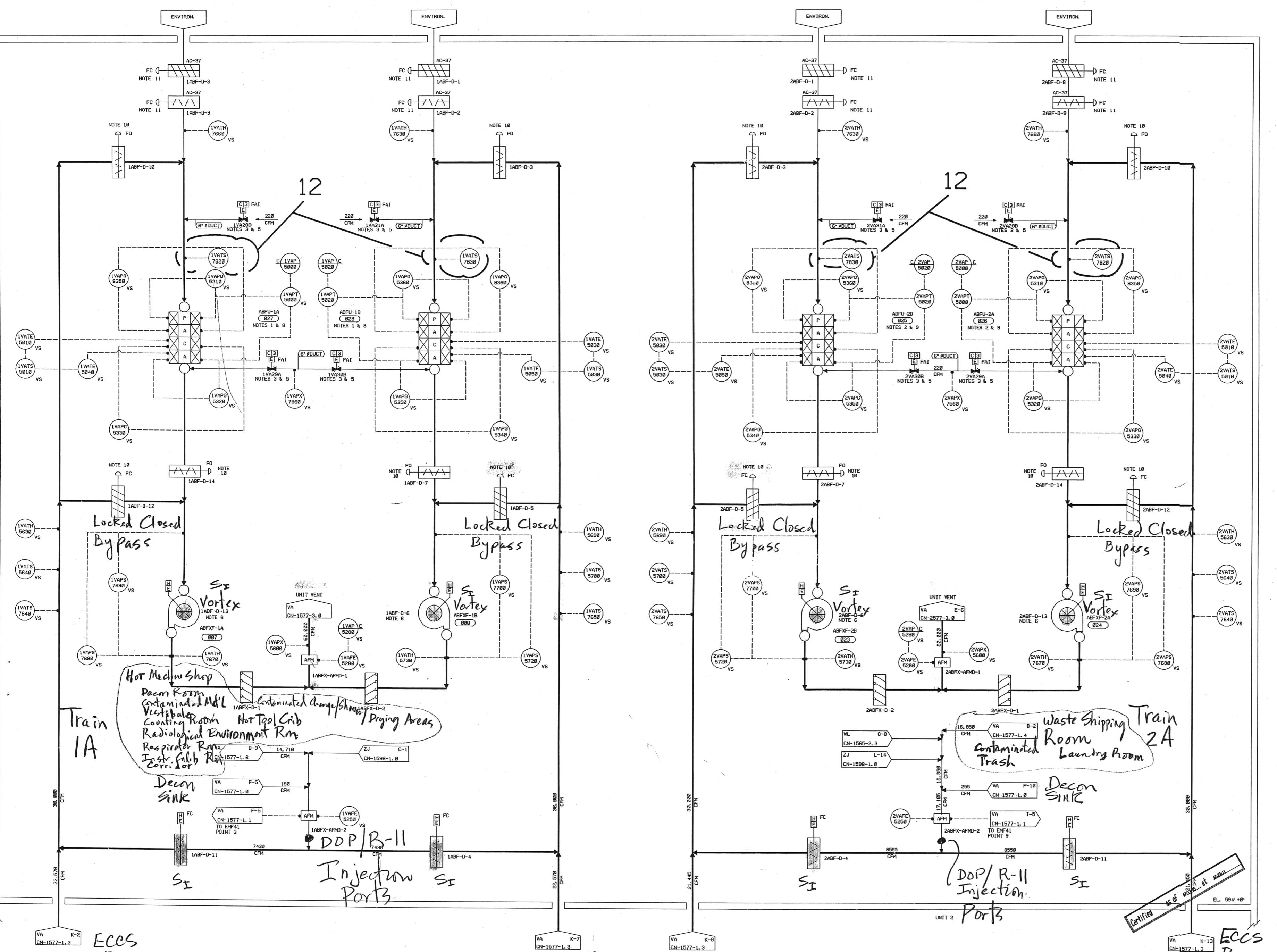


TRAIN 1A/2A
ECCS Alignment

TRAIN 1B/2B
ECCS Alignment

Reposition on
Train A/B SI
Signal



- NOTES:
- FOR DRAINS, SEE DWG. CN-1565-2.5.
 - FOR DRAINS, SEE DWG. CN-2565-2.5.
 - SEE "VALVE LISTING" FOR PRESSURE, TEMPERATURE, AND CLASS FOR ALL VALVES SHOWN ON THIS DIAGRAM.
 - HI TEMP PURGE VALVES.
 - DAMPER F/LS TO MINIMUM POSITION.
 - FOR FIRE PROTECTION SPRAY WATER (SYSTEM RF) SEE DWG. CN-1599-2.1.
 - FOR FIRE PROTECTION SPRAY WATER (SYSTEM RF) SEE DWG. CN-1599-2.2.
 - FILTER UNIT ISOLATION DAMPERS WILL REMAIN IN THE FAILED POSITION.
 - OUTSIDE AIR ISOLATION DAMPERS REMAIN IN FAILED (CLOSED) POSITION.

VALVE#	PRESSURE	TEMPERATURE	CLASS
1VA200	20 PSIG	250°F	C
2VA200	20 PSIG	250°F	C
1VA20A	20 PSIG	250°F	C
2VA20A	20 PSIG	250°F	C
1VA300	20 PSIG	250°F	C
2VA300	20 PSIG	250°F	C
1VA31A	20 PSIG	250°F	C
2VA31A	20 PSIG	250°F	C

ECCS
AUXILIARY BUILDING
Rooms

NO.	REVISIONS	DRN	DATE	CHKD	DATE	APPR	DATE	CIVIL	ELEC	MECH	INSPECTED
12	REV PER CE-10268 IMP. DATE 4-7-99	VDC	4-7-99	NBL	4-13-99	ROW	4-19-99	REK	DSG	JKR	
11	REV PER CE-9714 (10-15-98)	EDS	10-20-98	RSF	10-20-98	ROW	10-22-98	REK	DMA	ABR	
	ORIG. ORIGINAL DRAWING RETIRED	EDS	10-19-98								

QA CONDITION 1
QA CONDITION 3
DUKE POWER COMPANY
CATANBA NUCLEAR STATION UNITS 1 & 2
FLOW DIAGRAM OF
AUXILIARY BUILDING
VENTILATION SYSTEM
(VA)

DESIGNER: P.D. MOSS	DATE: 10-29-79	INSP. DW. MURDOCK	DATE: 11-8-79
DRAWN: M. PATTON	DATE: 10-17-79	INSP. VALVED	DATE:
CHECKED: PH. WHITE	DATE: 10-28-79	APPR. W.A. SMITH	DATE: 11-14-79
SCALE:		DWG. NO. CN-1577-1.2	

D-03