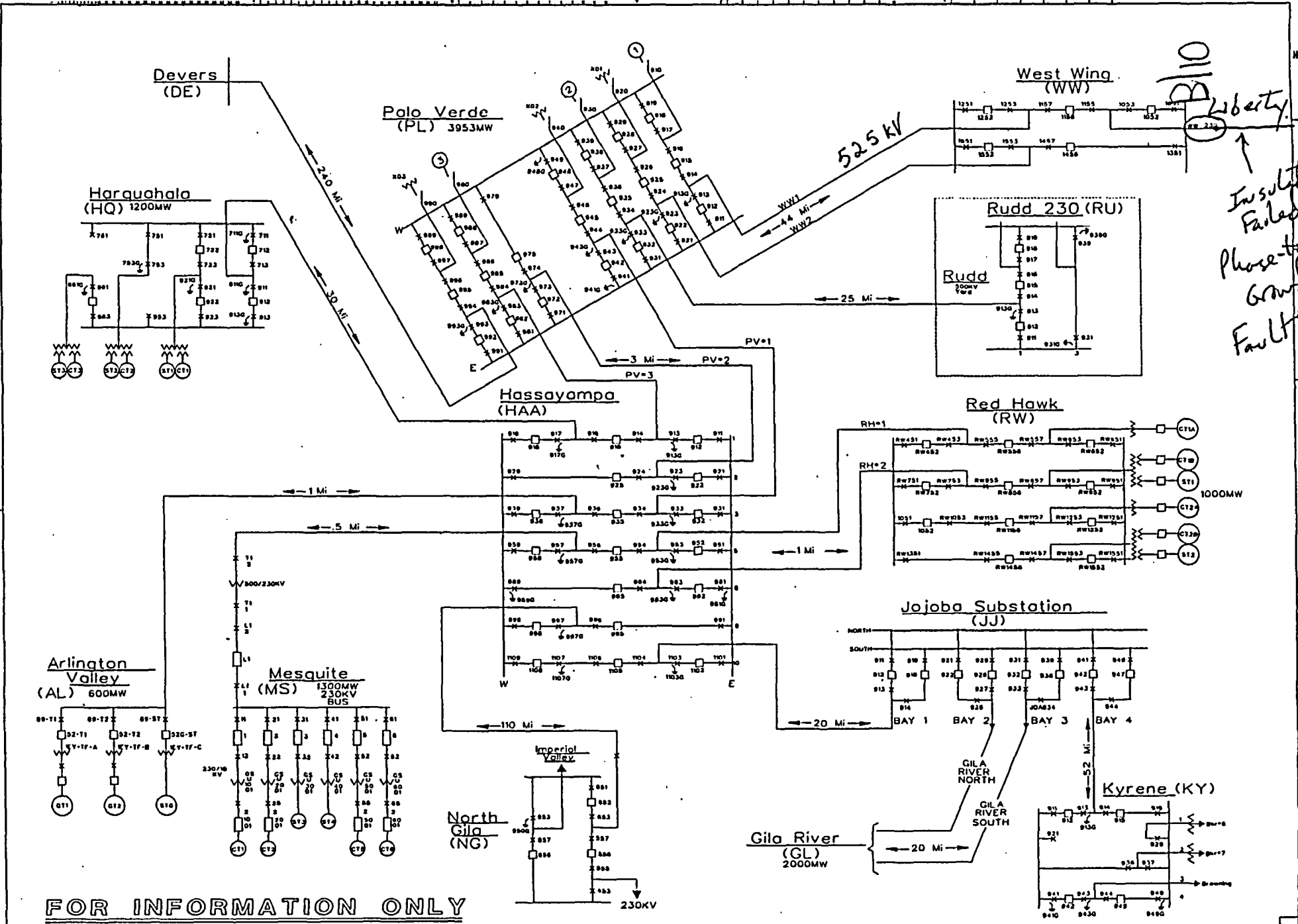



THIS DOCUMENT IS THE PROPERTY OF PALO VERDE NUCLEAR GENERATING STATION. IT IS TO BE KEPT IN THIS OFFICE. IT IS TO BE KEPT IN THIS OFFICE. IT IS TO BE KEPT IN THIS OFFICE.



FOR INFORMATION ONLY

		PALO VERDE TRANSMISSION SYSTEM									
		<table border="1" style="width: 100%; border-collapse: collapse;"> <tr> <th>SCALE</th> <th>JOB NO.</th> <th>DRAWING NO.</th> <th>REV.</th> </tr> <tr> <td> </td> <td> </td> <td> </td> <td> </td> </tr> </table>	SCALE	JOB NO.	DRAWING NO.	REV.					
SCALE	JOB NO.	DRAWING NO.	REV.								

OPTIONAL FORM 99 (7-97)

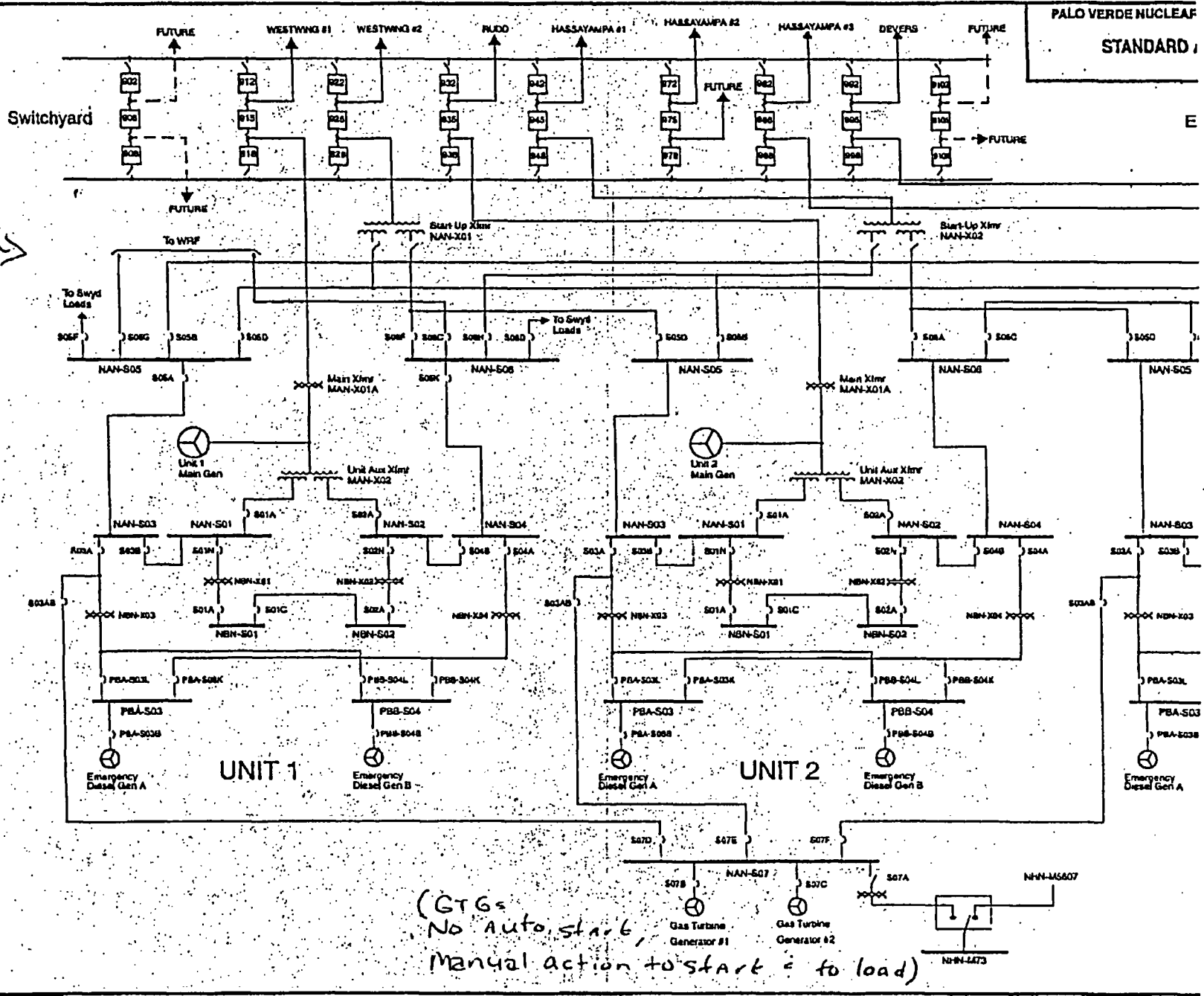
FAX TRANSMITTAL

of pages

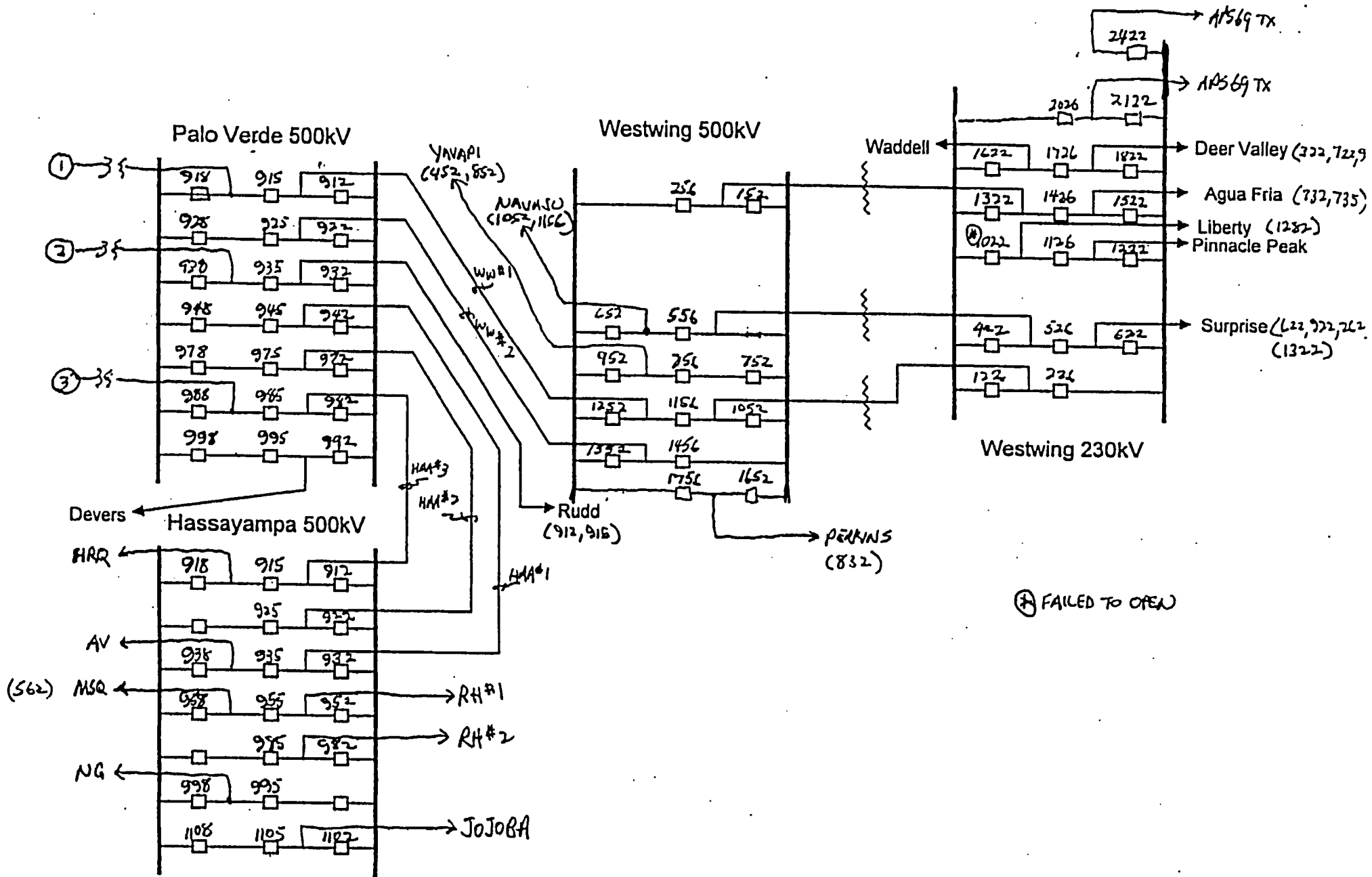
To: Troy Rowlett
 Dept/Agency: U. Salgado
 From: U. Salgado
 Phone #:
 Fax #:

NGN 7540-01-317-7568 5098-101 GENERAL SERVICES ADMINISTRATION

Which one's failed: →



(GTGs No Auto start, Manual action to start = to load)



⊕ FAILED TO OPEN

