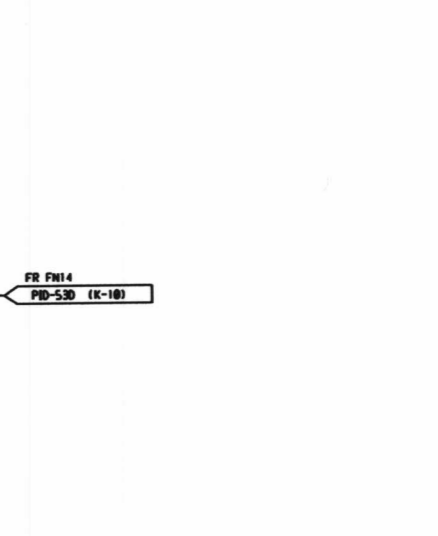
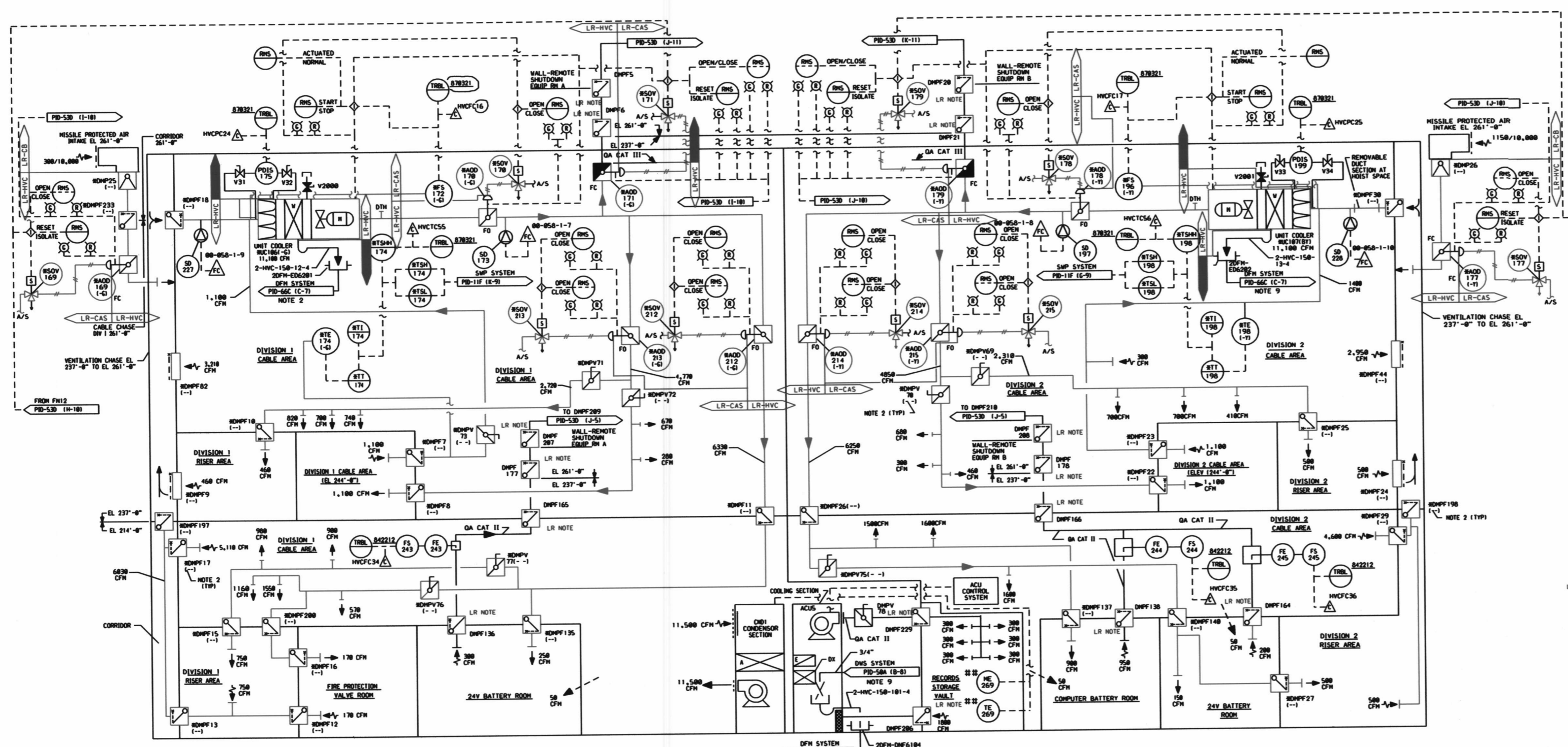


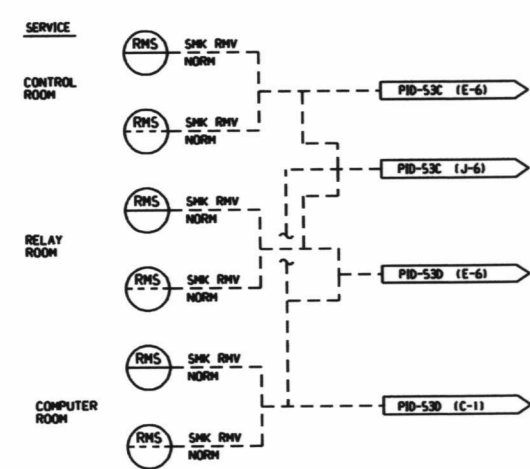
LR-53F-0

MARK NUMBER	VALVE DESCRIPTION BY CONTROLS	SIZE	NO. OF VALVES
V31, 32, 33, 34		1/4"	6
V2000, 2001			



LR NOTE:  
PLEASE REFER TO DRAWING LR-000 SHEETS 2A THROUGH 2F FOR LR BOUNDARY DRAWING NOTES, SYMBOLS, AND ACRONYMS.

NOTES:  
1. ALL INSTRUMENT AND EQUIPMENT NUMBERS TO BE PREFIXED WITH "2MC-" EXCEPT WHERE A DIFFERENT PREFIX IS SHOWN OR AN ASTERISK (\*) WILL REPLACE THE 2MC (-) IN THE PREFIX FOR EQUIPMENT OR INSTRUMENTS WHICH ARE PART OF NUCLEAR SAFETY FEATURE SYSTEMS.  
2. NO FLAG SHOWN ON CORRESPONDING DOCUMENT. COORDINATES PROVIDE INTERFACE LOCATION.  
3. FOR SERVICE WATER PIPING TO UNIT COOLERS SEE PID-11F.  
4. UNIT COOLER DRAIN AND ACUS LINES DISCHARGE TO MISCELLANEOUS BUILDINGS FLOOR AND EQUIPMENT DRAINS PID-6A.  
5. ALL DUCTWORK IS GA CAT I EXCEPT WHERE NOTED.  
6. BATTERY ROOMS MAINTAINED UNDER A SLIGHTLY NEGATIVE PRESSURE.  
7. VENTILATION FOR DIVISION 3 CABLE AREA LOCATED ON ELEVATION 244'-0" IS SHOWN ON PID-S3C (E-3).  
8. SYMBOL (S) INDICATES COMPONENTS FURNISHED BY 2MC-ACUS EQUIPMENT MANUFACTURER.  
9. NO FLAG SHOWN ON CORRESPONDING DOCUMENT. COORDINATES PROVIDE INTERFACE LOCATION.



DFW SYSTEM  
PID-SAC (E-3)  
NOTE 2  
CONTROL BUILDING-ELEVATIONS  
244'-0", 237'-0", AND 214'-0"

SAFETY RELATED  
QUALITY RELATED  
NON-SAFETY RELATED

(REF SAR FIG. 9.4-1F)

**Constellation Energy Group** NINE MILE POINT NUCLEAR STATION UNIT 2 - SCRIBA, N.Y.

**PIPING & INSTRUMENTATION DIAGRAM**  
CONTROL BUILDING VENTILATION AND AIR CONDITIONING

REV	DATE	DESCRIPTION OF REVISION	M.O.	DFT	DES	CHKD	ENG	ELEC	MECH	STR	WF	REV	DATE	DESCRIPTION OF REVISION	M.O.	DFT	DES	CHKD	ENG	ELEC	MECH	STR	

SCALE: NONE DRAWING NO: LR-53F-0

194