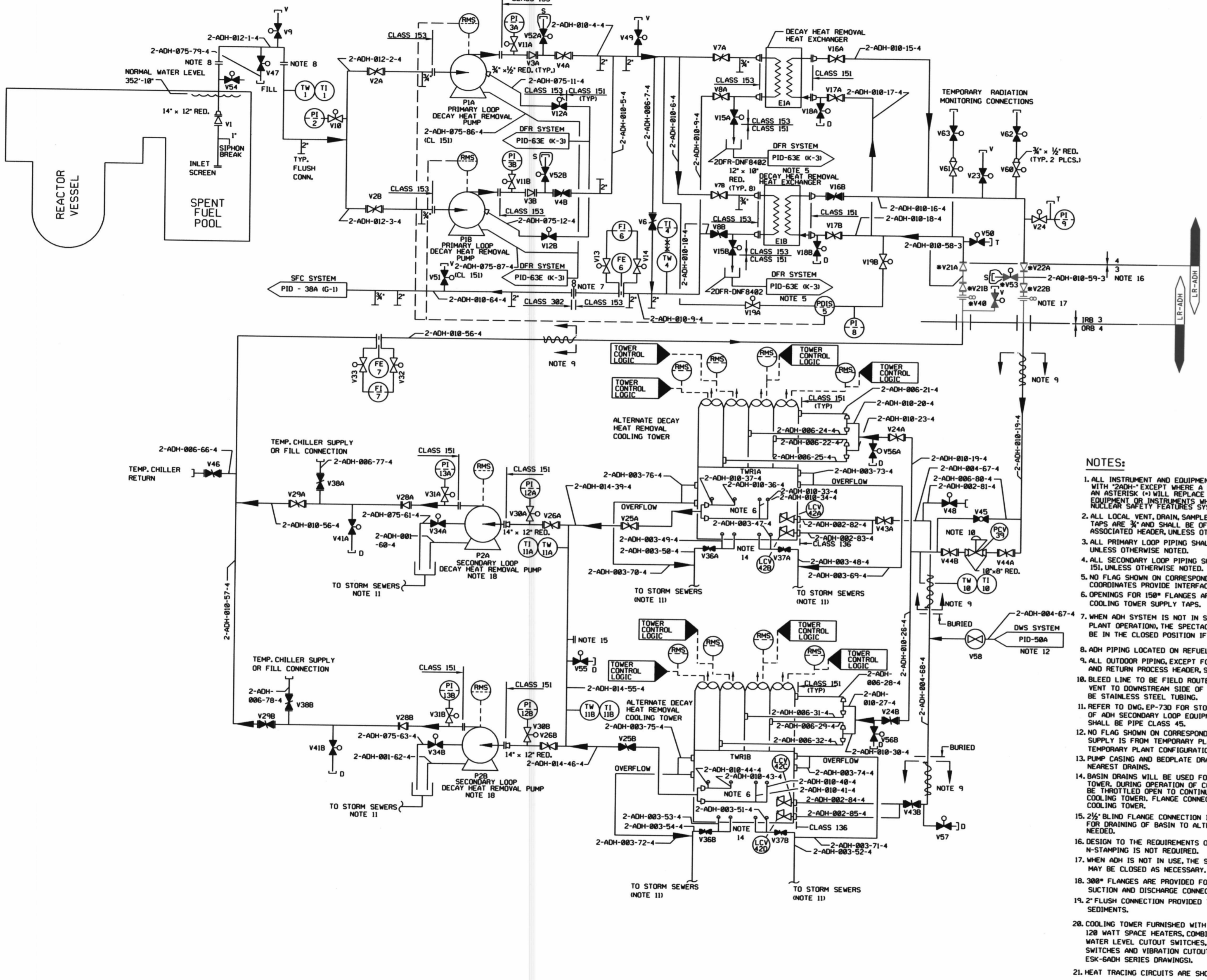


LR-115A-0



LR NOTE:  
PLEASE REFER TO DRAWING LR-000 SHEETS 2A THROUGH 2F  
FOR LR BOUNDARY DRAWING NOTES, SYMBOLS, AND ACRONYMS.

MARK No.	VALVE DESCRIPTION	SIZE	No. OF VALVES
V9, 10, 11A, 11B, 12A, 12B, 13, 14, 15A, 15B, 19A, 47, 49, 51, 52A, 52B, 54	VBM015 - CB - 4	3/4"	17
V16A, 16B, 19B, 23, 24, 38A, 38B, 31A, 31B, 32, 33, 34A, 34B, 41A, 41B, 50, 55, 56A, 56B	VBS015 - CB - 4	3/4"	19
V2A, 2B	SUPPLIED BY CONTRACTOR	12"	2
V4A, 4B, 7A, 7B, 8A, 8B	SUPPLIED BY CONTRACTOR	10"	6
V6	SUPPLIED BY CONTRACTOR	6"	1
V1	SUPPLIED BY CONTRACTOR	14"	1
V3A, 3B	SUPPLIED BY CONTRACTOR	10"	2
# V21A, 21B, 22A, 22B	SUPPLIED BY CONTRACTOR	10"	4
PCV39	SUPPLIED BY CONTRACTOR	8"	1
LCV42A, 42B, 42C, 42D	FURNISHED WITH COOLING TOWER	2"	4
V16A, 16B, 17A, 17B, V24A, 24B, 29A, 29B, 44A, 44B	SUPPLIED BY CONTRACTOR	10"	10
V25A, 25B, 26A, 26B	SUPPLIED BY CONTRACTOR	14"	4
V28A, 28B	SUPPLIED BY CONTRACTOR	10"	2
V36A, 36B, 37A, 37B	SUPPLIED BY CONTRACTOR	3"	4
V43A, 43B	SUPPLIED BY CONTRACTOR	4"	2
V45	VOM015 - D - 4K	6"	1
V38A, 38B, 46	SUPPLIED BY CONTRACTOR	6"	3
# V40, 53	VBS015 - A - 3	3/4"	2
V50	SUPPLIED BY CONTRACTOR	4"	1
V57	SUPPLIED BY CONTRACTOR	3/4"	1
V48	SUPPLIED BY CONTRACTOR	2"	1
V60, V61	VBS015-CA-4	3/4"	2
V62, V63	VBM250-S	1/2"	2

NOTES:

- ALL INSTRUMENT AND EQUIPMENT NOS. TO BE PREFIXED WITH "2ADH" EXCEPT WHERE A DIFFERENT PREFIX IS SHOWN. AN ASTERISK (\*) WILL REPLACE THE (-) IN THE PREFIX FOR EQUIPMENT OR INSTRUMENTS WHICH ARE PART OF THE NUCLEAR SAFETY FEATURES SYSTEM.
- ALL LOCAL VENT, DRAIN, SAMPLE, PRESSURE AND FLOW TAPS ARE 3/4" AND SHALL BE OF SAME PIPE CLASS AS ASSOCIATED HEADER, UNLESS OTHERWISE NOTED.
- ALL PRIMARY LOOP PIPING SHALL BE PIPE CLASS 153, UNLESS OTHERWISE NOTED.
- ALL SECONDARY LOOP PIPING SHALL BE PIPE CLASS 151, UNLESS OTHERWISE NOTED.
- NO FLAG SHOWN ON CORRESPONDING DOCUMENT. COORDINATES PROVIDE INTERFACE LOCATION.
- OPENINGS FOR 150# FLANGES ARE PROVIDED FOR COOLING TOWER SUPPLY TAPS.
- WHEN ADH SYSTEM IS NOT IN SERVICE (NORMAL PLANT OPERATION), THE SPECTACLE FLANGE MAY BE IN THE CLOSED POSITION IF NECESSARY.
- ADH PIPING LOCATED ON REFUEL FLOOR IS REMOVABLE.
- ALL OUTDOOR PIPING, EXCEPT FOR THE COMMON SUPPLY AND RETURN PROCESS HEADER, SHALL BE HEAT TRACED.
- BLEED LINE TO BE FIELD ROUTED FROM PILOT EXHAUST VENT TO DOWNSTREAM SIDE OF VALVE. BLEED LINE SHALL BE STAINLESS STEEL TUBING.
- REFER TO DWG. EP-730 FOR STORM DRAIN PIPING IN AREA OF ADH SECONDARY LOOP EQUIPMENT. BURIED DRAIN PIPING SHALL BE PIPE CLASS 45.
- NO FLAG SHOWN ON CORRESPONDING DOCUMENT. DWS SUPPLY IS FROM TEMPORARY PLANT DOWNSTREAM OF V13. TEMPORARY PLANT CONFIGURATION IS NOT SHOWN ON PID-50A. PUMP CASING AND BEIDPLATE DRAINS TO BE FIELD ROUTED TO NEAREST DRAINS.
- BASIN DRAINS WILL BE USED FOR NORMAL BLEED OF COOLING TOWER. DURING OPERATION OF COOLING TOWER, DRAINS SHALL BE THROTTLED OPEN TO CONTINUOUSLY DRAIN 120 gpm (PER COOLING TOWER). FLANGE CONNECTIONS ARE INSTALLED AT COOLING TOWER.
- 2 1/2" BLIND FLANGE CONNECTION IS PROVIDED TO ALLOW FOR DRAINING OF BASIN TO ALTERNATE RELEASE PATH, IF NEEDED.
- DESIGN TO THE REQUIREMENTS OF ASME, SECTION 3. N-STAMPING IS NOT REQUIRED.
- WHEN ADH IS NOT IN USE, THE SPECTACLE FLANGES MAY BE CLOSED AS NECESSARY.
- 300# FLANGES ARE PROVIDED FOR SECONDARY LOOP PUMP SUCTION AND DISCHARGE CONNECTIONS.
- 2" FLUSH CONNECTION PROVIDED TO CLEAN ACCUMULATED SEDIMENTS.
- COOLING TOWER FURNISHED WITH (8) 12KW BASEPAN HEATERS, 120 WATT SPACE HEATERS, COMBINATION THERMOSTAT / LOW WATER LEVEL CUTOFF SWITCHES, GEAR DRIVE OIL LEVEL SWITCHES AND VIBRATION CUTOFF SWITCHES (REFER TO ESK-6ADH SERIES DRAWINGS).
- HEAT TRACING CIRCUITS ARE SHOWN ON EE-41C.

SAFETY RELATED  
QUALITY RELATED  
REF. SAR FIG. 9.1-28a

Constellation Energy Group  
NINE MILE POINT NUCLEAR STATION  
UNIT 2 - SCRIBA, N.Y.  
PIPING & INSTRUMENTATION DIAGRAM  
ALTERNATE DECAY HEAT REMOVAL SYSTEM

SCALE: NONE DRAWING NO: LR-115A-0

THIS DRAWING WAS PRODUCED ELECTRONICALLY. DO NOT MAKE ANY CHANGES MANUALLY.

222