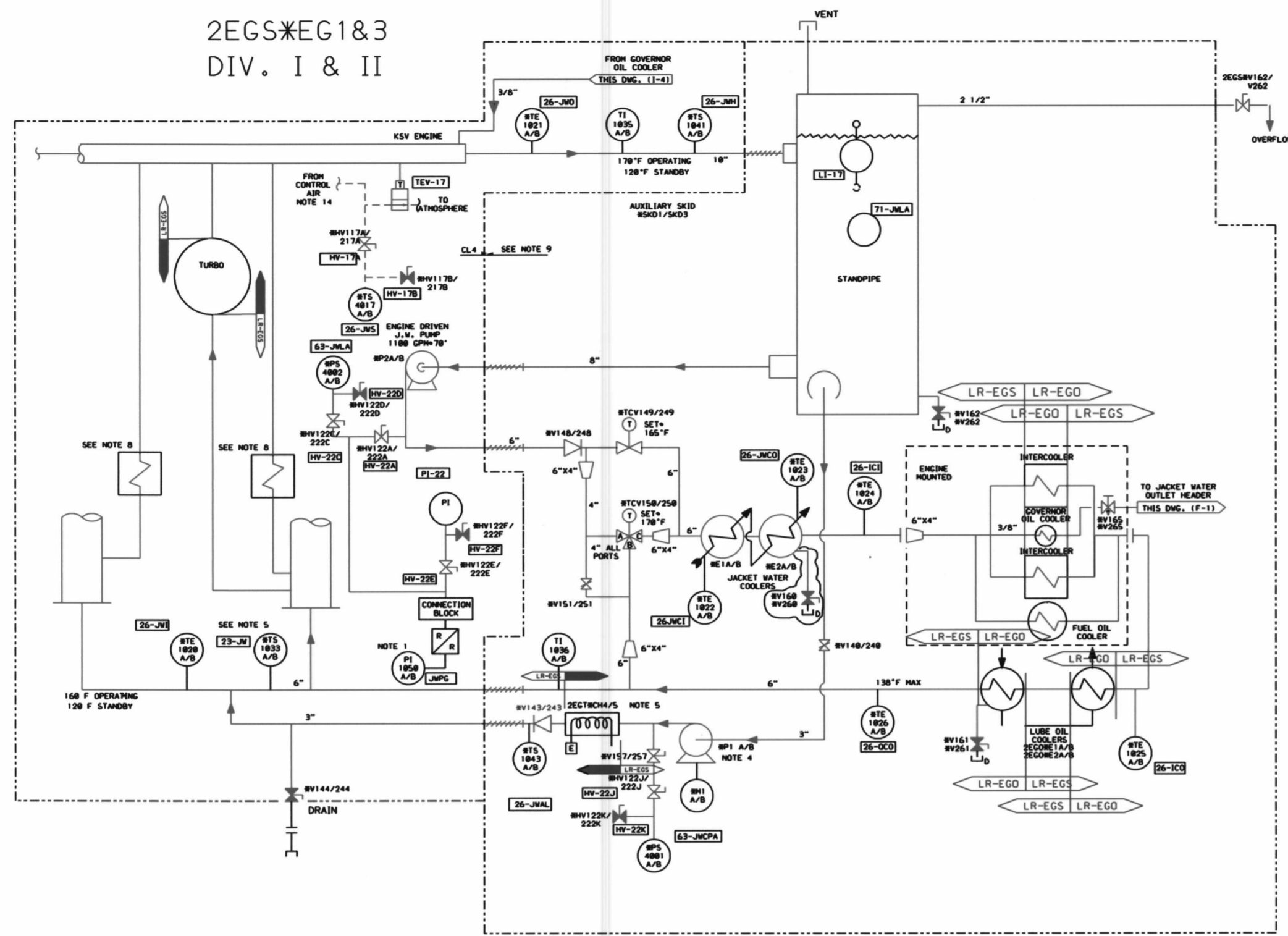


LR-104D-0

### 2EGS\*EG1&3 DIV. I & II

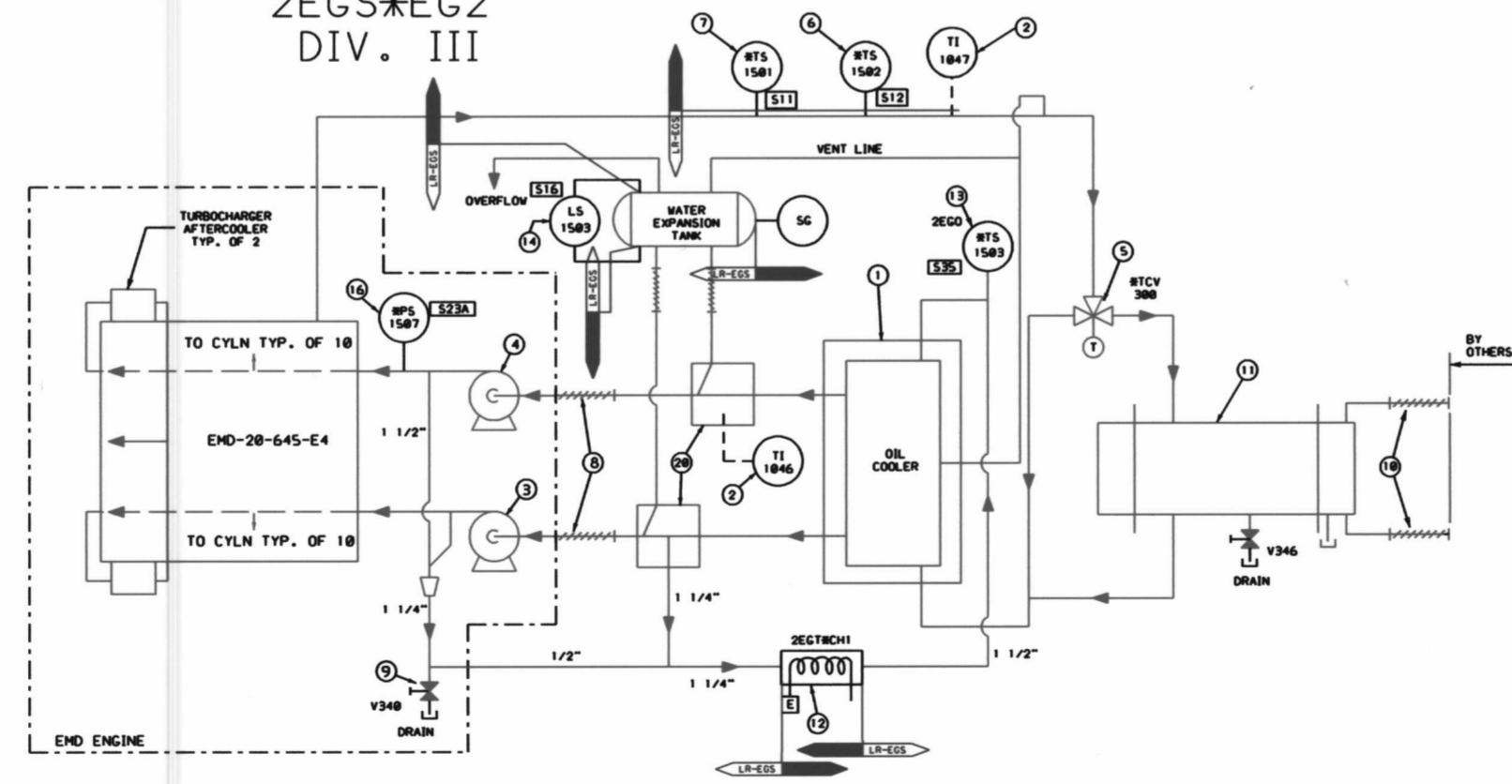


#### NOTES:

- ITEMS ARE MOUNTED IN CONTROL PANEL.
- JACKET WATER QUALITY TO BE PER C-8 SPEC. 5E-123 MINIMUM.
- ALL INSTRUMENT & EQUIPMENT NUMBERS TO BE PREFIXED WITH "2EGS-" EXCEPT WHERE A DIFFERENT PREFIX IS SHOWN. AN ASTRISK (\*) WILL REPLACE THE DASH (-) IN THE PREFIX FOR EQUIPMENT OR INSTRUMENTS WHICH ARE A PART OF NUCLEAR SAFETY FEATURES SYSTEMS.
- JACKET WATER CIRCULATION PUMP: 175 GPM@48", 5 HP, 1750 RPM, 575V, 3PH, 60HZ.
- JACKET WATER CIRCULATION HEATER: 10CM, 575V, 3PH, 60HZ. T/C TO START PUMP AND HEATER SET +120°F FALLING AND 130°F RISING.
- ALL STARTERS AND CONTRACTORS FURNISHED BY OTHERS.
- COOPER-BESSEMER IDENTIFICATION NUMBERS TO BE IN RECTANGLES.
- JACKET WATER WILL BE CIRCULATED THROUGH HEATER SECTION OF COMBUSTION AIR COOLERS TO HEAT COMBUSTION AIR TO MEET FAST STARTING REQUIREMENTS.
- EQUIPMENT CONSTRUCTION TO ASME SECTION III, CLASS 3 INCLUDES: STANDPIPE, CIRCULATION PUMP, COOLERS, HEATER, THERMOSTATIC VALVE, BALL VALVES, CHECK VALVES, EXPANSION JOINTS, AND PIPING. ASME SECTION III CLASS 3 CONSTRUCTION IS LIMITED TO SKID MOUNTED EQUIPMENT EXCEPT INTERCOOLERS.
- REFER TO VENDOR MANUAL KSV-87 SERIES DRAWINGS FOR SETTINGS OF SWITCHES.
- POWER WIRING DIRECTLY TO COMPONENTS IS BY OTHERS. CONTROL & METERING WIRING TO TERMINATE AT SKID MOUNTED JUNCTION BOXES BY C.E.S.. REFER TO VENDOR MANUAL KSV-87 SERIES DRAWING.
- REFER TO VENDOR MANUAL KSV-36 SERIES DRAWINGS FOR SWITCH CONTROL DRAWINGS.
- LETTER "A" COMPONENTS INDICATES FOR USE ON 2EGS#E1 LETTER "B" COMPONENTS INDICATES FOR USE ON 2EGS#E3 100 SERIES NUMBERS INDICATES USE ON 2EGS#E1, 200 SERIES NUMBERS INDICATES USE ON 2EGS#E3.
- REFER TO CONTROL AIR DRAWINGS: 0001,040-209-047,048,049,050.

LR NOTE:  
PLEASE REFER TO DRAWING LR-000 SHEETS 2A THROUGH 2F FOR LR BOUNDARY DRAWING NOTES, SYMBOLS, AND ACRONYMS.

### 2EGS\*EG2 DIV. III



#### NOTES:

- JACKET WATER HEAT EXCHANGER (ITEM#11) DESIGNED, ANALYZED, FABRICATED & INSPECTED IN ACCORDANCE WITH ASME CODE SECTION III CLASS 3 AND TEMA CLASS "C" REQUIREMENTS, WITH REMOVABLE BUNDLE.
- ITEM#6-CLOSES AT 200°F., OPENS AT 190°F. ITEM#7-OPENS AT 200°F., CLOSES AT 190°F.
- ITEM#13-TURN ON 125°F., TURN OFF 155°F.
- ITEM#16-CLOSES AT 19 PSI., OPENS AT 22 PSI.
- ALL INSTRUMENT & EQUIPMENT NUMBERS TO BE PREFIXED WITH "2EGS-" EXCEPT WHERE A DIFFERENT PREFIX IS SHOWN. AN ASTRISK (\*) WILL REPLACE THE DASH (-) IN THE PREFIX FOR EQUIPMENT OR INSTRUMENTS WHICH ARE A PART OF NUCLEAR SAFETY FEATURES SYSTEMS.
- BALLOON ITEM NUMBERS ARE LISTED AT LEFT OF DRAWING.
- GENERAL ELECTRIC IDENTIFICATION NUMBERS TO BE IN RECTANGLES.

ITEM NO.	DEVICE NO.	NOMENCLATURE OR DESCRIPTION	NOTE
1		OIL COOLER	
2		TEMPERATURE GAGE 4 1/2" (30°F-240°F)	
3		ENGINE WATER PUMP (RIGHT SIDE)	
4		ENGINE WATER PUMP (LEFT SIDE)	
5		TEMPERATURE REGULATING VALVE (AMOT)	
6	S12	HOT ENGINE TEMP. SWITCH (ALARM)	NOTE#2
7	S11	HOT ENGINE TEMP. SWITCH (SHUTDOWN)	NOTE#2
8		FLEXIBLE CONNECTION	
9		VALVE DRAIN	
10		FLEXIBLE CONNECTION-6"	
11		HEAT EXCHANGER	NOTE#1
12	H1	IMMERSION HEATER 480/550 V., 15/20 KW, 3-PHASE	
13	S35	TEMP. SWITCH IMMERSION-HEATER CONTROL	NOTE#3
14	S16	LOW WATER LEVEL ALARM	
15			
16	S23A	JACKET WATER LOW PRESSURE SWITCH (ALARM)	
17			
18			
19			
20		TEE, WATER INLET, 4 INCH	

SAFETY RELATED  
QUALITY RELATED

Constellation Energy Group  
NINE MILE POINT NUCLEAR STATION  
UNIT 2 - SCRIBA, N.Y.  
PIPING & INSTRUMENTATION DIAGRAM  
JACKET WATER  
STANDBY DIESEL GENERATOR SYSTEM

SCALE: NONE  
DRAWING NO: LR-104D-0

218