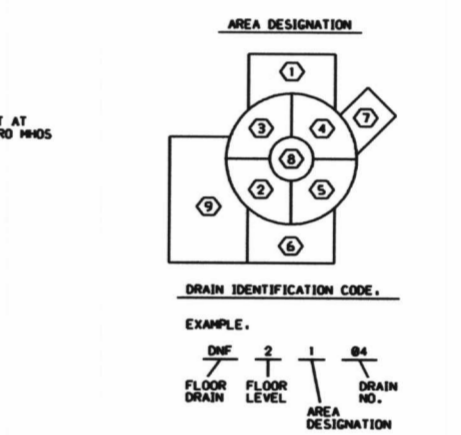


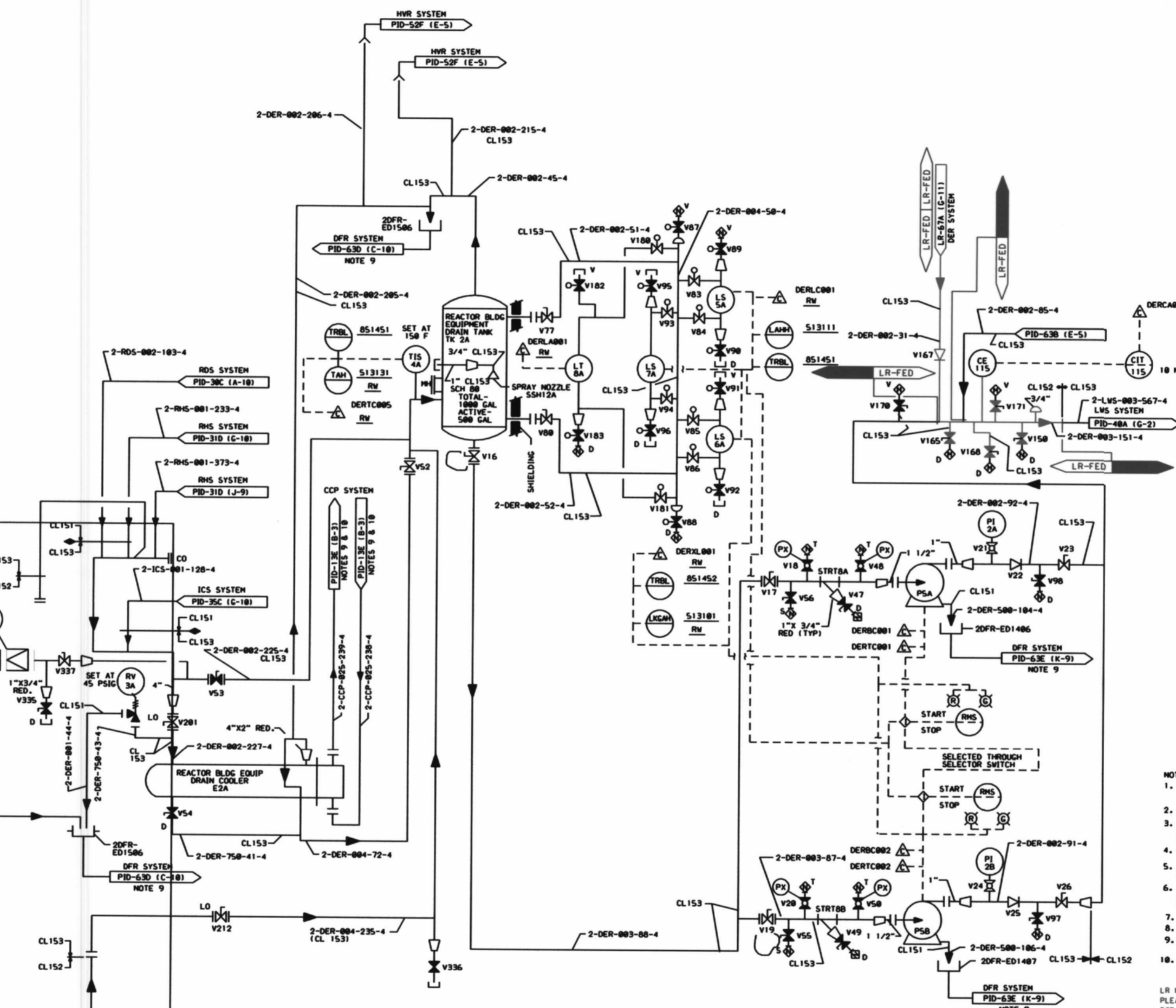
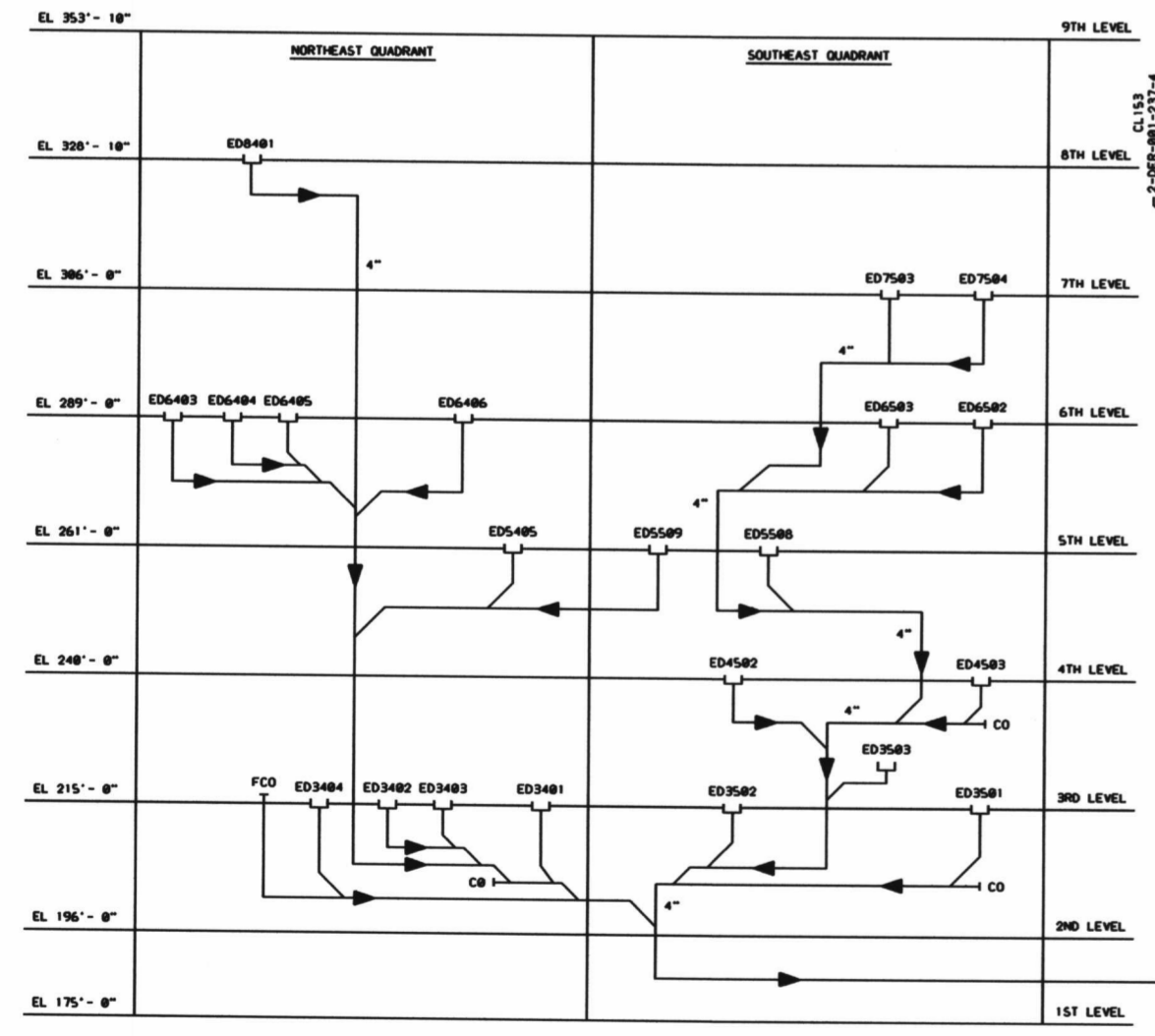
TABLE OF DER EQUIPMENT DRAINS

200R-ED	ELEV.	DRAIN LINES	PID-	200R-ED	ELEV.	DRAIN LINES	PID-	200R-ED	ELEV.	DRAIN LINES	PID-
3201	215'-0"	2-HWR-150-28-4	52C	5201	261'-0"	2-SFC-750-24-4	30B	6201	209'-0"	2-SFC-750-24-4	30B
3202	215'-0"	2-SMP-001-830-4	11F	5202	261'-0"	2-SFC-750-26-4	30B	6202	209'-0"	2-SFC-750-26-4	30B
3203	215'-0"	2-SMP-001-961-4	11F	5203	261'-0"	2-SFC-750-27-4	30B	6203	209'-0"	2-SFC-750-27-4	30B
3301	215'-0"	2-CCP-001-430-4	13C	5301	261'-0"	2-SMP-001-101-4	11F	6301	209'-0"	2-SFC-150-291-4	13C
3302	215'-0"	2-CCP-001-430-4	13C	5302	261'-0"	2-SMP-001-102-4	11F	6302	209'-0"	2-SMP-001-102-4	11F
3303	215'-0"	2-CCP-001-430-4	13C	5303	261'-0"	2-SMP-001-103-4	11F	6303	209'-0"	2-SMP-001-103-4	11F
3304	215'-0"	2-CCP-001-430-4	13C	5304	261'-0"	2-SMP-001-104-4	11F	6304	209'-0"	2-SMP-001-104-4	11F
3305	215'-0"	2-CCP-001-430-4	13C	5305	261'-0"	2-SMP-001-105-4	11F	6305	209'-0"	2-SMP-001-105-4	11F
3306	215'-0"	2-CCP-001-430-4	13C	5306	261'-0"	2-SMP-001-106-4	11F	6306	209'-0"	2-SMP-001-106-4	11F
3307	215'-0"	2-CCP-001-430-4	13C	5307	261'-0"	2-SMP-001-107-4	11F	6307	209'-0"	2-SMP-001-107-4	11F
3308	215'-0"	2-CCP-001-430-4	13C	5308	261'-0"	2-SMP-001-108-4	11F	6308	209'-0"	2-SMP-001-108-4	11F
3309	215'-0"	2-CCP-001-430-4	13C	5309	261'-0"	2-SMP-001-109-4	11F	6309	209'-0"	2-SMP-001-109-4	11F
3310	215'-0"	2-CCP-001-430-4	13C	5310	261'-0"	2-SMP-001-110-4	11F	6310	209'-0"	2-SMP-001-110-4	11F
3311	215'-0"	2-CCP-001-430-4	13C	5311	261'-0"	2-SMP-001-111-4	11F	6311	209'-0"	2-SMP-001-111-4	11F
3312	215'-0"	2-CCP-001-430-4	13C	5312	261'-0"	2-SMP-001-112-4	11F	6312	209'-0"	2-SMP-001-112-4	11F
3313	215'-0"	2-CCP-001-430-4	13C	5313	261'-0"	2-SMP-001-113-4	11F	6313	209'-0"	2-SMP-001-113-4	11F
3314	215'-0"	2-CCP-001-430-4	13C	5314	261'-0"	2-SMP-001-114-4	11F	6314	209'-0"	2-SMP-001-114-4	11F
3315	215'-0"	2-CCP-001-430-4	13C	5315	261'-0"	2-SMP-001-115-4	11F	6315	209'-0"	2-SMP-001-115-4	11F
3316	215'-0"	2-CCP-001-430-4	13C	5316	261'-0"	2-SMP-001-116-4	11F	6316	209'-0"	2-SMP-001-116-4	11F
3317	215'-0"	2-CCP-001-430-4	13C	5317	261'-0"	2-SMP-001-117-4	11F	6317	209'-0"	2-SMP-001-117-4	11F
3318	215'-0"	2-CCP-001-430-4	13C	5318	261'-0"	2-SMP-001-118-4	11F	6318	209'-0"	2-SMP-001-118-4	11F
3319	215'-0"	2-CCP-001-430-4	13C	5319	261'-0"	2-SMP-001-119-4	11F	6319	209'-0"	2-SMP-001-119-4	11F
3320	215'-0"	2-CCP-001-430-4	13C	5320	261'-0"	2-SMP-001-120-4	11F	6320	209'-0"	2-SMP-001-120-4	11F
3321	215'-0"	2-CCP-001-430-4	13C	5321	261'-0"	2-SMP-001-121-4	11F	6321	209'-0"	2-SMP-001-121-4	11F
3322	215'-0"	2-CCP-001-430-4	13C	5322	261'-0"	2-SMP-001-122-4	11F	6322	209'-0"	2-SMP-001-122-4	11F
3323	215'-0"	2-CCP-001-430-4	13C	5323	261'-0"	2-SMP-001-123-4	11F	6323	209'-0"	2-SMP-001-123-4	11F
3324	215'-0"	2-CCP-001-430-4	13C	5324	261'-0"	2-SMP-001-124-4	11F	6324	209'-0"	2-SMP-001-124-4	11F
3325	215'-0"	2-CCP-001-430-4	13C	5325	261'-0"	2-SMP-001-125-4	11F	6325	209'-0"	2-SMP-001-125-4	11F
3326	215'-0"	2-CCP-001-430-4	13C	5326	261'-0"	2-SMP-001-126-4	11F	6326	209'-0"	2-SMP-001-126-4	11F
3327	215'-0"	2-CCP-001-430-4	13C	5327	261'-0"	2-SMP-001-127-4	11F	6327	209'-0"	2-SMP-001-127-4	11F
3328	215'-0"	2-CCP-001-430-4	13C	5328	261'-0"	2-SMP-001-128-4	11F	6328	209'-0"	2-SMP-001-128-4	11F
3329	215'-0"	2-CCP-001-430-4	13C	5329	261'-0"	2-SMP-001-129-4	11F	6329	209'-0"	2-SMP-001-129-4	11F
3330	215'-0"	2-CCP-001-430-4	13C	5330	261'-0"	2-SMP-001-130-4	11F	6330	209'-0"	2-SMP-001-130-4	11F
3331	215'-0"	2-CCP-001-430-4	13C	5331	261'-0"	2-SMP-001-131-4	11F	6331	209'-0"	2-SMP-001-131-4	11F
3332	215'-0"	2-CCP-001-430-4	13C	5332	261'-0"	2-SMP-001-132-4	11F	6332	209'-0"	2-SMP-001-132-4	11F
3333	215'-0"	2-CCP-001-430-4	13C	5333	261'-0"	2-SMP-001-133-4	11F	6333	209'-0"	2-SMP-001-133-4	11F
3334	215'-0"	2-CCP-001-430-4	13C	5334	261'-0"	2-SMP-001-134-4	11F	6334	209'-0"	2-SMP-001-134-4	11F
3335	215'-0"	2-CCP-001-430-4	13C	5335	261'-0"	2-SMP-001-135-4	11F	6335	209'-0"	2-SMP-001-135-4	11F
3336	215'-0"	2-CCP-001-430-4	13C	5336	261'-0"	2-SMP-001-136-4	11F	6336	209'-0"	2-SMP-001-136-4	11F
3337	215'-0"	2-CCP-001-430-4	13C	5337	261'-0"	2-SMP-001-137-4	11F	6337	209'-0"	2-SMP-001-137-4	11F
3338	215'-0"	2-CCP-001-430-4	13C	5338	261'-0"	2-SMP-001-138-4	11F	6338	209'-0"	2-SMP-001-138-4	11F
3339	215'-0"	2-CCP-001-430-4	13C	5339	261'-0"	2-SMP-001-139-4	11F	6339	209'-0"	2-SMP-001-139-4	11F
3340	215'-0"	2-CCP-001-430-4	13C	5340	261'-0"	2-SMP-001-140-4	11F	6340	209'-0"	2-SMP-001-140-4	11F

MARK NUMBER	VALVE DESCRIPTION	SIZE	NO. OF VALVES
V16, 17, 19	VFB15-LA-4R	3"	3
V18, 20, 21, 24	VOS808-E-4	3/4"	6
V22, 25, 167	VCS868-J-4	2"	3
V23, 26, 77, 88	VPS815-H-4	2"	4
V27, 28, 155	VPS815-H-4	3/4"	13
V52	VFB15-LA-4R	4"	1
V53, 84, 85, 86	VBS815-KA-4	1"	6
V57, 88, 89, 90, 91	VBS815-CB-4	3/4"	18
V58, 92, 96, 102	VBS815-KA-4	1"	6
V183	VBS815-KA-4	2"	2
V201	VFB15-L-4	2"	1
V212	VFB15-L-4R	4"	1
V336	VCS868-D-4	2"	1
V337	VPS815-H-4	1"	1



- NOTES:
- ALL INSTRUMENT & EQUIPMENT NUMBERS TO BE PREFIXED WITH "200R" EXCEPT WHERE A DIFFERENT PREFIX IS SHOWN.
 - ALL PIPING IS CLASS 152 UNLESS OTHERWISE NOTED.
 - EQUIPMENT DRAIN HUBS PROJECT 4" ABOVE FLOOR. HUBS ARE 4" DIAMETER AND OPEN TO DRYWELL ATMOSPHERE. RPV DRAIN LINE IS WELDED TO ED486.
 - ☉ DENOTES DISSIMILAR METAL WELD.
 - 4" HEADER PIPING INSIDE METWELL SHALL BE SAFETY CLASS 2, PIPE CLASS 153.
 - ALL INSTRUMENT VENT, TEST, DRAIN AND SAMPLE CONNECTIONS ARE 3/4" UNLESS OTHERWISE NOTED. LEVEL TRANSMITTER CORING ARE 2" LEVEL SWITCH CORING ARE 1".
 - HORIZONTAL RUNS OF PIPE SHALL SLOPE DOWN IN DIRECTION OF FLOW.
 - FOR DRYWELL EQUIPMENT DRAINS, SEE PID-67A.
 - NO FLAG SHOWN ON CORRESPONDING DOCUMENT. COORDINATES PROVIDE INTERFACE LOCATION.
 - TO EQUIPMENT DRAIN COOLER Z0ER-E2A.
- LR NOTE:
 PLEASE REFER TO DRAWING LR-000 SHEETS 2A THROUGH 3F FOR LR BOUNDARY DRAWING NOTES, SYMBOLS, AND ACRONYMS.



QUALITY RELATED
 NON SAFETY RELATED
 (REF. SAR FIG. 9.3-9a)

Constellation Energy Group
 NINE MILE POINT NUCLEAR STATION
 UNIT 2 - SCRIBA, N.Y.

PIPING & INSTRUMENTATION DIAGRAM
 REACTOR BUILDING EQUIPMENT
 AND FLOOR DRAINS

SCALE: DRAWING NO. LR-63A-0

206