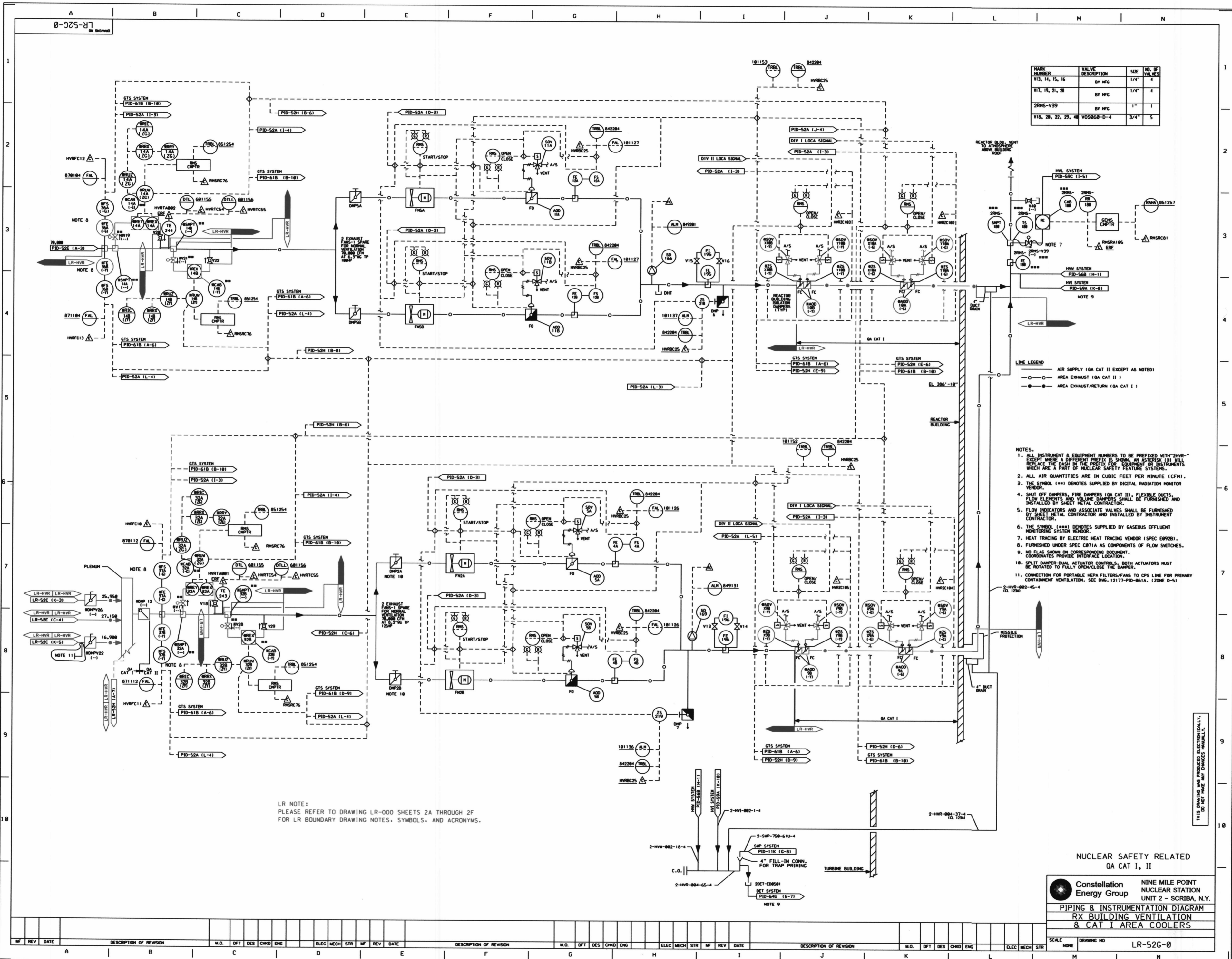


0-925-R-7

MARK NUMBER	VALVE DESCRIPTION	SIZE	NO. OF VALVES
V13, 14, 15, 16	BY NFG	1/4"	4
V17, 18, 21, 28	BY NFG	1/4"	4
2RHS-V39	BY NFG	1"	1
V18, 26, 27, 29, 48	VOS060-D-4	3/4"	5



- NOTES:
1. ALL INSTRUMENT & EQUIPMENT NUMBERS TO BE PREFIXED WITH "2RHS-" EXCEPT WHERE A DIFFERENT PREFIX IS SHOWN. AN ASTERISK (*) WILL REPLACE THE DASH IN THE PREFIX FOR EQUIPMENT OR INSTRUMENTS WHICH ARE A PART OF NUCLEAR SAFETY FEATURE SYSTEMS.
 2. ALL AIR QUANTITIES ARE IN CUBIC FEET PER MINUTE (CFM).
 3. THE SYMBOL (*** DENOTES SUPPLIED BY DIGITAL RADIATION MONITOR VENDOR.
 4. SHUT OFF DAMPERS, FIRE DAMPERS (QA CAT II), FLEXIBLE DUCTS, FLOW ELEMENTS AND VOLUME DAMPERS SHALL BE FURNISHED AND INSTALLED BY SHEET METAL CONTRACTOR.
 5. FLOW INDICATORS AND ASSOCIATE VALVES SHALL BE FURNISHED BY SHEET METAL CONTRACTOR AND INSTALLED BY INSTRUMENT CONTRACTOR.
 6. THE SYMBOL (###) DENOTES SUPPLIED BY GASEOUS EFFLUENT MONITORING SYSTEM VENDOR.
 7. HEAT TRACING BY ELECTRIC HEAT TRACING VENDOR (SPEC ER928).
 8. FURNISHED UNDER SPEC C071A AS COMPONENTS OF FLOW SWITCHES.
 9. NO FLAG SHOWN ON CORRESPONDING DOCUMENT. COORDINATES PROVIDE INTERFACE LOCATION.
 10. SPLIT DAMPER-DUAL ACTUATOR CONTROLS. BOTH ACTUATORS MUST BE ROTATED TO FULLY OPEN/CLOSE THE DAMPER.
 11. CONNECTION FOR PORTABLE HEPA FILTERS/FANS TO CPS LINE FOR PRIMARY CONTAINMENT VENTILATION. SEE DWG. 12177-PID-061A. (ZONE D-5)

LR NOTE:
PLEASE REFER TO DRAWING LR-000 SHEETS 2A THROUGH 2F
FOR LR BOUNDARY DRAWING NOTES, SYMBOLS, AND ACRONYMS.

NUCLEAR SAFETY RELATED
QA CAT I, II

Constellation
Energy Group
NINE MILE POINT
NUCLEAR STATION
UNIT 2 - SCRIBA, N.Y.
PIPING & INSTRUMENTATION DIAGRAM
RX BUILDING VENTILATION
& CAT I AREA COOLERS

SCALE NONE DRAWING NO LR-52G-0

187