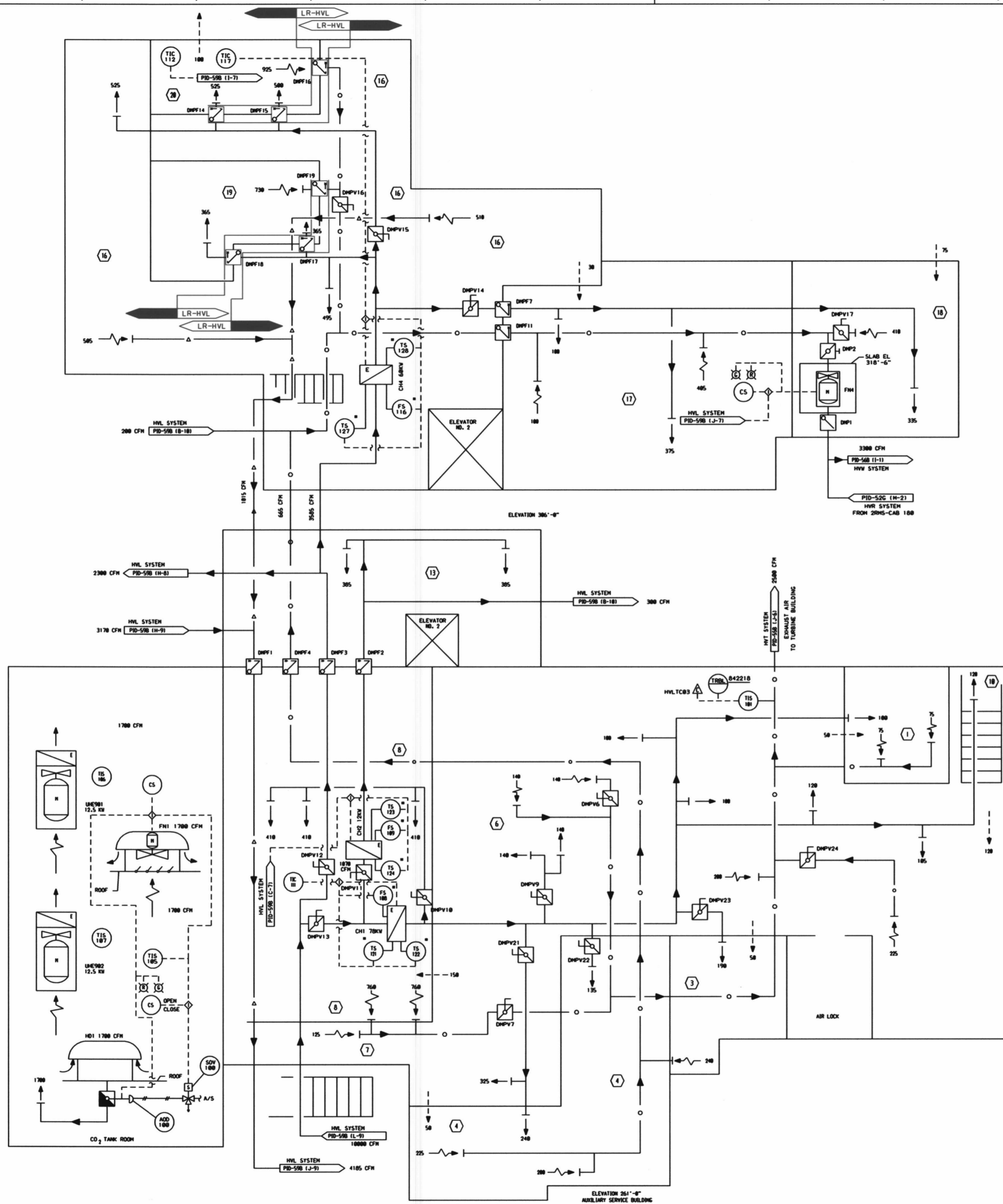


0-365-R7



LINE LEGEND

- ○ SUPPLY AIR
- ○ EXHAUST AIR
- △ △ RETURN AIR
- INDUCED AIR

AREA LEGEND

1. R.P. STORAGE ROOM
- 2.
3. WOMEN'S DECONTAMINATION ROOM
4. MEN'S DECONTAMINATION ROOM
- 5.
6. CORRIDOR AREA
7. HALLWAY
8. R.P. CALIBRATION ROOM
- 9.
10. STAIRS
11. CORRIDOR AND STAIR
12. MECHANICAL LIFT ROOM EL. 250'-0"
13. CORRIDOR AND STAIR
14. STAIR
15. CLEAN ACCESS AREA EL. 300'-0"
16. CLEAN ACCESS AREA EL. 300'-0"
17. DECONTAMINATION ROOM EL. 300'-0"
18. HEALTH PHYSICS STORAGE ROOM
19. HEALTH PHYSICS ROOM
20. COUNTING ROOM (GENS COMPUTER RM)
21. H & TE STORAGE AND CALIBRATION OFFICE
22. SUPERVISOR'S OFFICE
23. RX ANALYST'S OFFICE

NOTES

1. ALL INSTRUMENT AND EQUIPMENT NUMBERS TO BE PREFIXED WITH "2MVL-" EXCEPT WHERE A DIFFERENT PREFIX IS SHOWN.
2. \* INDICATES INSTRUMENTS PROVIDED BY EQUIPMENT VENDOR.

THIS DRAWING WAS PRODUCED ELECTRONICALLY BY THE USE OF THE AUTOMATIC DTP SYSTEM.

QUALITY RELATED  
NON-SAFETY RELATED  
(REF. SAR FIG. 9.4-2e)

Constellation Energy Group NINE MILE POINT NUCLEAR STATION UNIT 2 - SCRIBA, N.Y.  
ELECTRICAL TUNNELS AND MISCELLANEOUS VENT SYSTEM

SCALE DRAWING NO LR-59C-0

200