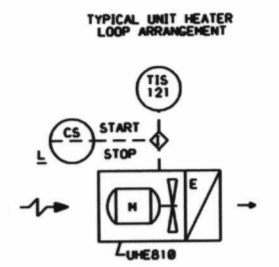
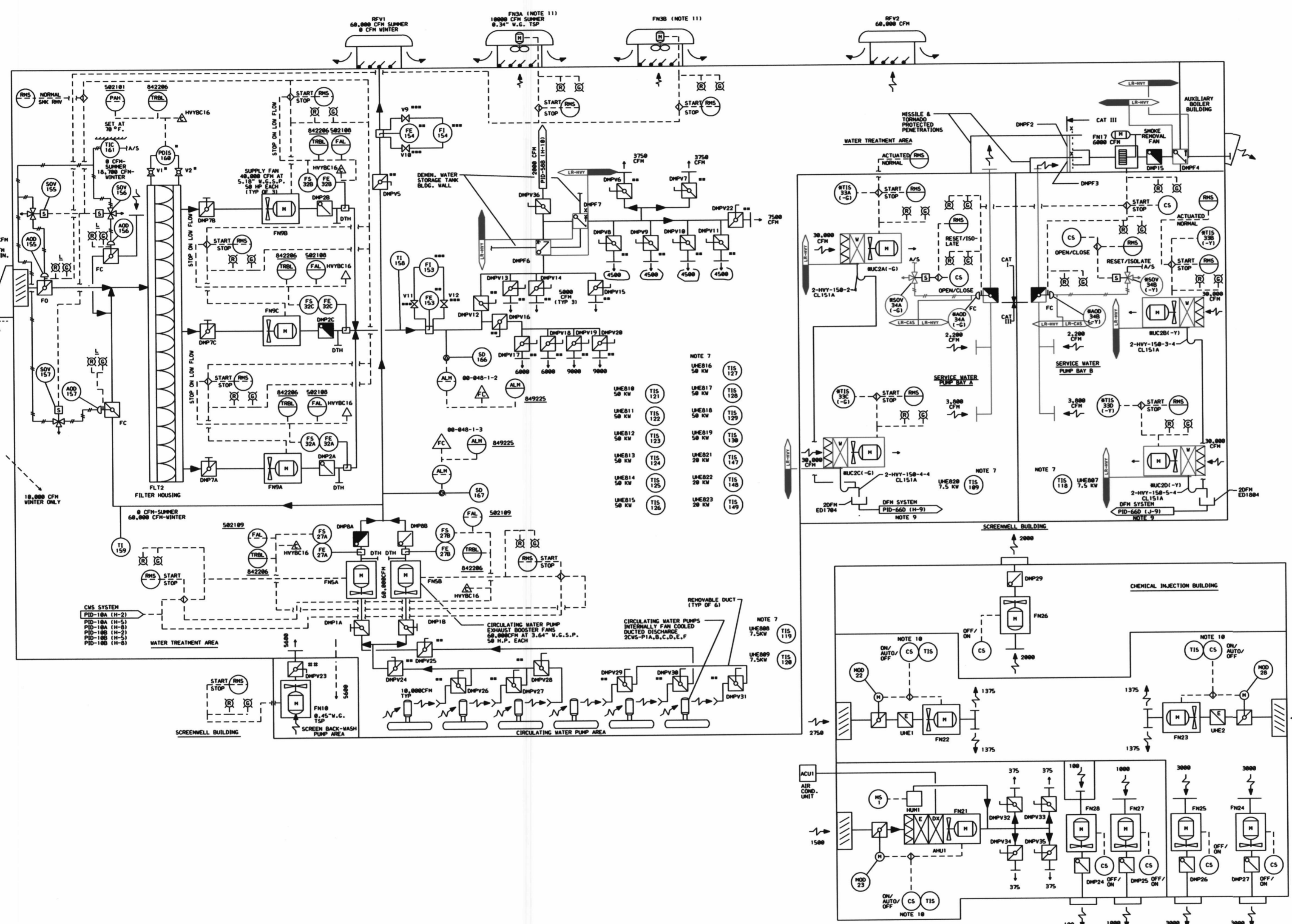


0-V85-R7

MARK NUMBER	VALVE DESCRIPTION	SIZE	NO. OF VALVES
V1,2	PROVIDED BY FILTER VENDOR	1/2"	2
V9,10,11,12	PROVIDED BY INSTR. CONTRACTOR	1/2"	4



ASSOCIATED EQUIPMENT MARK NO.'S

AREA	LINE	TIS
SCRN.BLDG.	818	121
	819	122
	820	123
	821	124
	822	125
	823	126
	824	127
	825	128
	826	129
	827	130
	828	131
	829	132
	830	133
	831	134
	832	135
	833	136
	834	137
	835	138
	836	139
	837	140
	838	141
	839	142
	840	143
	841	144
	842	145
	843	146
	844	147
	845	148
	846	149
	847	150
	848	151
	849	152
	850	153
	851	154
	852	155
	853	156
	854	157
	855	158
	856	159
	857	160
	858	161
	859	162
	860	163
	861	164
	862	165
	863	166
	864	167
	865	168
	866	169
	867	170
	868	171
	869	172
	870	173
	871	174
	872	175
	873	176
	874	177
	875	178
	876	179
	877	180
	878	181
	879	182
	880	183
	881	184
	882	185
	883	186
	884	187
	885	188
	886	189
	887	190
	888	191
	889	192
	890	193
	891	194
	892	195
	893	196
	894	197
	895	198
	896	199
	897	200

- NOTE 7
- LINE#16 TIS 121
 - LINE#17 TIS 122
 - LINE#18 TIS 123
 - LINE#19 TIS 124
 - LINE#20 TIS 125
 - LINE#21 TIS 126
 - LINE#22 TIS 127
 - LINE#23 TIS 128
 - LINE#24 TIS 129
 - LINE#25 TIS 130
 - LINE#26 TIS 131
 - LINE#27 TIS 132
 - LINE#28 TIS 133
 - LINE#29 TIS 134
 - LINE#30 TIS 135
 - LINE#31 TIS 136
 - LINE#32 TIS 137
 - LINE#33 TIS 138
 - LINE#34 TIS 139
 - LINE#35 TIS 140
 - LINE#36 TIS 141
 - LINE#37 TIS 142
 - LINE#38 TIS 143
 - LINE#39 TIS 144
 - LINE#40 TIS 145
 - LINE#41 TIS 146
 - LINE#42 TIS 147
 - LINE#43 TIS 148
 - LINE#44 TIS 149
 - LINE#45 TIS 150
 - LINE#46 TIS 151
 - LINE#47 TIS 152
 - LINE#48 TIS 153
 - LINE#49 TIS 154
 - LINE#50 TIS 155
 - LINE#51 TIS 156
 - LINE#52 TIS 157
 - LINE#53 TIS 158
 - LINE#54 TIS 159
 - LINE#55 TIS 160
 - LINE#56 TIS 161
 - LINE#57 TIS 162
 - LINE#58 TIS 163
 - LINE#59 TIS 164
 - LINE#60 TIS 165
 - LINE#61 TIS 166
 - LINE#62 TIS 167
 - LINE#63 TIS 168
 - LINE#64 TIS 169
 - LINE#65 TIS 170
 - LINE#66 TIS 171
 - LINE#67 TIS 172
 - LINE#68 TIS 173
 - LINE#69 TIS 174
 - LINE#70 TIS 175
 - LINE#71 TIS 176
 - LINE#72 TIS 177
 - LINE#73 TIS 178
 - LINE#74 TIS 179
 - LINE#75 TIS 180
 - LINE#76 TIS 181
 - LINE#77 TIS 182
 - LINE#78 TIS 183
 - LINE#79 TIS 184
 - LINE#80 TIS 185
 - LINE#81 TIS 186
 - LINE#82 TIS 187
 - LINE#83 TIS 188
 - LINE#84 TIS 189
 - LINE#85 TIS 190
 - LINE#86 TIS 191
 - LINE#87 TIS 192
 - LINE#88 TIS 193
 - LINE#89 TIS 194
 - LINE#90 TIS 195
 - LINE#91 TIS 196
 - LINE#92 TIS 197
 - LINE#93 TIS 198
 - LINE#94 TIS 199
 - LINE#95 TIS 200

- NOTES:
- ALL INSTRUMENT & EQUIPMENT NUMBERS TO BE PREFIXED WITH "200V" EXCEPT WHERE A DIFFERENT PREFIX IS SHOWN. AN ASTERISK (*) WILL REPLACE THE DASH IN THE PREFIX FOR EQUIPMENT OR INSTRUMENTS WHICH ARE PART OF A NUCLEAR SAFETY FEATURES SYSTEM.
 - SERVICE WATER IS USED FOR MUC2A, 20, 2C & 2D. SEE PID-11 FOR PIPING ARRANGEMENT.
 - ALL OUTWORK SHOWN ARE GA CAT II, EXCEPT WHERE NOTED OTHERWISE.
 - SYMBOL (F) INDICATES EQUIPMENT FURNISHED BY FILTER VENDOR.
 - SYMBOL (I*) INDICATES EQUIPMENT FURNISHED BY INSTRUMENT CONTRACTOR.
 - SYMBOL (I**) INDICATES EQUIPMENT FURNISHED BY INSTRUMENT CONTRACTOR.
 - TYPICAL LOOP ARRANGEMENT IS SHOWN FOR UNIT HEATERS WHICH ARE IDENTIFIED IN EACH AREA.
 - ALL DRAINS DISCHARGE TO MISC BLDG FLOOR & EQUIPMENT DRAINING SYSTEM PID-65.
 - NO FLAC SHOWN ON CORRESPONDING DOCUMENT. COORDINATES PROVIDE INTERFACE LOCATION.
 - CS PART OF THERMOSTAT (TIS) SUB BASE.
 - FAN# AND FAN# ARE REDUNDANT. FUNCTIONING FAN IS DETERMINED PER OPERATING PROCEDURE.

LR NOTE:
PLEASE REFER TO DRAWING LR-000 SHEETS 2A THROUGH 2F FOR LR BOUNDARY DRAWING NOTES, SYMBOLS, AND ACRONYMS.

SAFETY RELATED
QUALITY RELATED
NON-SAFETY RELATED

(REF. SAR FIG. 9.4-2a)

Constellation Energy Group
NINE MILE POINT NUCLEAR STATION
UNIT 2 - SCRIBA, N.Y.
PIPING & INSTRUMENTATION DIAGRAM
SCREENWELL & DIESEL FIRE PUMP ROOM VENT

SCALE: NONE DRAWING NO: LR-58A-0