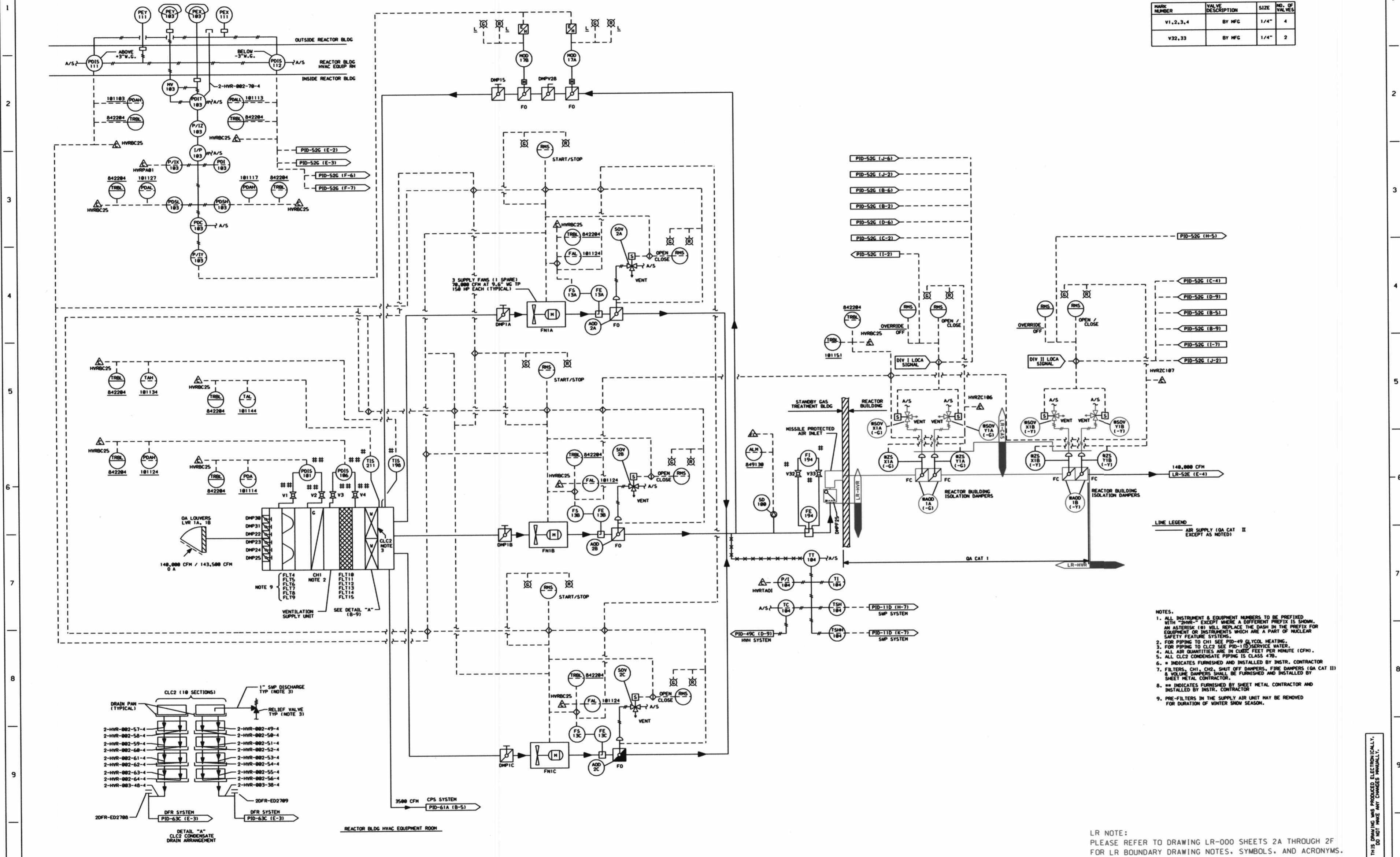


LR-52A-0

MARK NUMBER	VALVE DESCRIPTION	SIZE	NO. OF VALVES
V1,2,3,4	BY MFC	1/4"	4
V32,33	BY MFC	1/4"	2



LINE LEGEND  
 AIR SUPPLY (QA CAT II EXCEPT AS NOTED)

- NOTES:
1. ALL INSTRUMENT & EQUIPMENT NUMBERS TO BE PREFIXED WITH "SHR-" EXCEPT WHERE A DIFFERENT PREFIX IS SHOWN. AN ASTERISK (\*) WILL REPLACE THE DASH IN THE PREFIX FOR EQUIPMENT OR INSTRUMENTS WHICH ARE A PART OF NUCLEAR SAFETY FEATURE SYSTEMS.
  2. FOR PIPING TO CH1 SEE PID-49 (T-COOL HEATING).
  3. FOR PIPING TO CLC2 SEE PID-110 (SERVICE WATER).
  4. ALL AIR QUANTITIES ARE IN CUBIC FEET PER MINUTE (CFM).
  5. ALL CLC2 CONDENSATE PIPING IS CLASS 470.
  6. # INDICATES FURNISHED AND INSTALLED BY INSTR. CONTRACTOR
  7. FILTERS, CH1, CH2, SHUT OFF DAMPERS, FIRE DAMPERS (QA CAT III) & ISOLATE DAMPERS SHALL BE FURNISHED AND INSTALLED BY SHEET METAL CONTRACTOR.
  8. \* INDICATES FURNISHED BY SHEET METAL CONTRACTOR AND INSTALLED BY INSTR. CONTRACTOR
  9. PRE-FILTERS IN THE SUPPLY AIR UNIT MAY BE REMOVED FOR DURATION OF WINTER SNOW SEASON.

LR NOTE:  
 PLEASE REFER TO DRAWING LR-000 SHEETS 2A THROUGH 2F FOR LR BOUNDARY DRAWING NOTES, SYMBOLS, AND ACRONYMS.

THIS DRAWING WAS PRODUCED ELECTRONICALLY. DO NOT MAKE ANY CHANGES MANUALLY.

NUCLEAR SAFETY RELATED  
 QA CAT I,II,III

Constellation Energy Group  
 NINE MILE POINT NUCLEAR STATION  
 UNIT 2 - SCRIBA, N.Y.  
 PIPING & INSTRUMENTATION DIAGRAM  
 RX BUILDING VENTILATION & CAT I AREA COOLERS

SCALE: NONE DRAWING NO: LR-52A-0

181