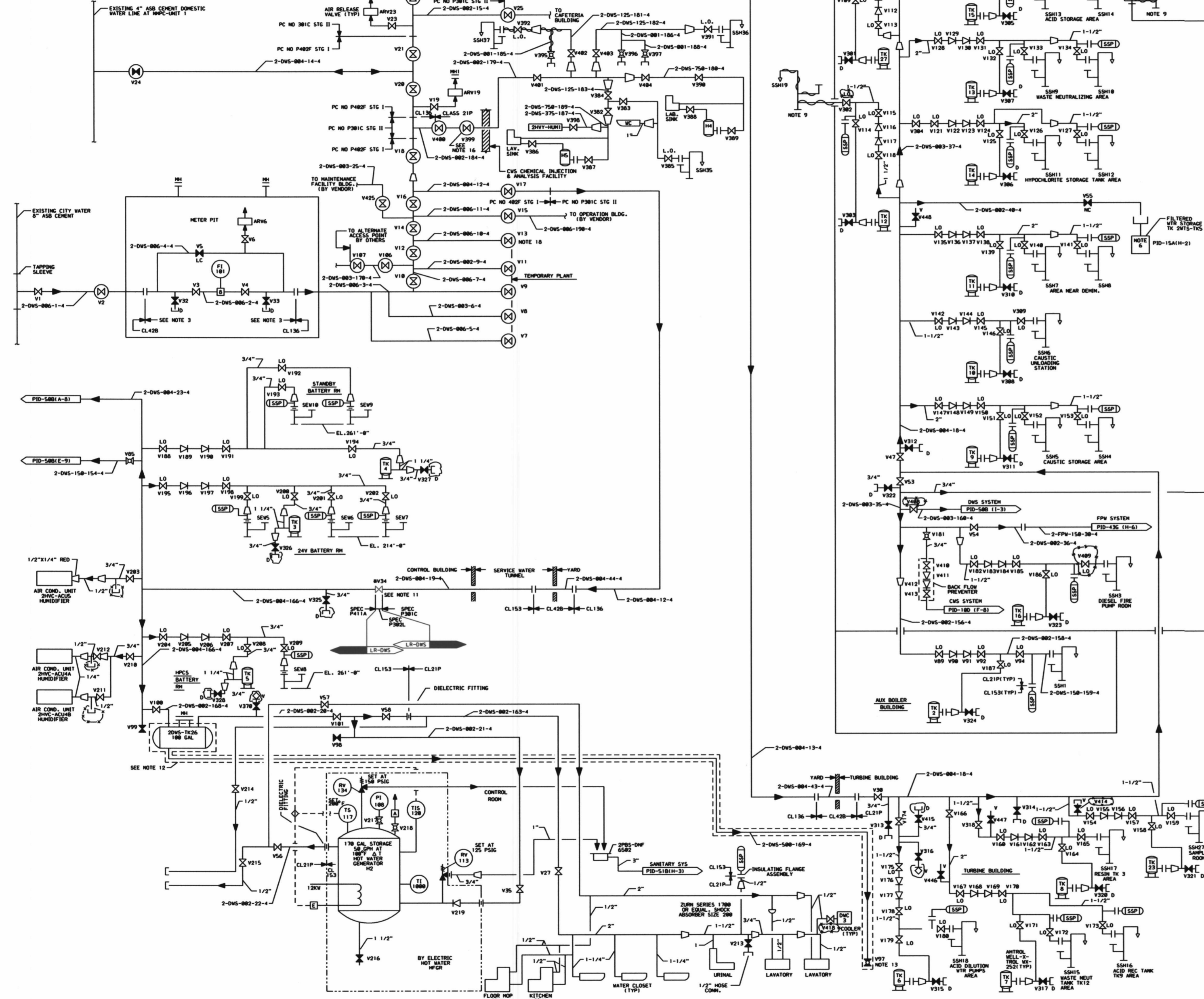
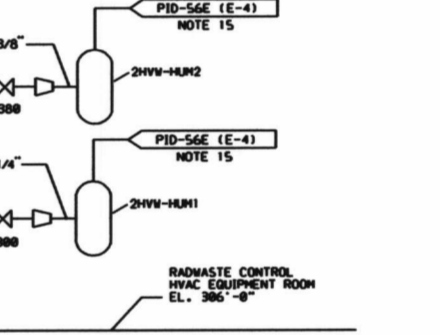


0-005-LR

LR NOTE:
PLEASE REFER TO DRAWING LR-000 SHEETS 2A THROUGH 2F
FOR LR BOUNDARY DRAWING NOTES, SYMBOLS, AND ACRONYMS.



MARK NUMBER	VALVE DESCRIPTION	SIZE	NO. OF VALVES
V1 THRU V5, V7, V9, V10, V12, V13, V14, V15, V16		6"	13
V6, V11, V19, V23, V25, V26, V28, V29, V31, V32, V33, V34, V35, V36, V37, V38, V39, V40, V41, V42, V43, V44, V45, V46, V47, V48, V49, V50, V51, V52, V53, V54, V55, V56, V57, V58, V59, V60, V61, V62, V63, V64, V65, V66, V67, V68, V69, V70, V71, V72, V73, V74, V75, V76, V77, V78, V79, V80, V81, V82, V83, V84, V85, V86, V87, V88, V89, V90, V91, V92, V93, V94, V95, V96, V97, V98, V99, V100	SUPPLIED BY CONTRACTOR	3"	3
V17, V18, V20, V21, V22, V24, V27, V30, V42, V43, V44, V45, V46, V47, V48, V49, V50, V51, V52, V53, V54, V55, V56, V57, V58, V59, V60, V61, V62, V63, V64, V65, V66, V67, V68, V69, V70, V71, V72, V73, V74, V75, V76, V77, V78, V79, V80, V81, V82, V83, V84, V85, V86, V87, V88, V89, V90, V91, V92, V93, V94, V95, V96, V97, V98, V99, V100	NOTE 17	4"	9
V32, V33		3/4"	2
V50		1-1/2"	1
V49, V58, V98, V91		1-1/2"	1
V95		1-1/2"	1
V34	VGM15-R-3K	4"	1
V97	VGM15-E-4	1/2"	3
V98, V100, V101	VGM15-H-4	2"	3
V99	VGM15-W-4K	4"	1
V106, V107, V125	SUPPLIED BY CONTRACTOR	3"	3
V122, V123, V129, V130		2"	4
V118, V119, V120, V121, V122, V123, V124, V125, V126, V127, V128, V129, V130, V131, V132, V133, V134, V135, V136, V137, V138, V139, V140, V141, V142, V143, V144, V145, V146, V147, V148, V149, V150, V151, V152, V153, V154, V155, V156, V157, V158, V159, V160, V161, V162, V163, V164, V165, V166, V167, V168, V169, V170, V171, V172, V173, V174, V175, V176, V177, V178, V179, V180, V181, V182, V183, V184, V185, V186, V187, V188, V189, V190, V191, V192, V193, V194, V195, V196, V197, V198, V199, V200	NOTE 17	1-1/2"	8
V152, V193, V194, V195, V196, V197, V198, V199, V200, V201, V202, V203, V204, V205, V206, V207, V208, V209, V210, V211, V212, V213, V214, V215, V216, V217, V218, V219, V220, V221, V222, V223, V224, V225, V226, V227, V228, V229, V230, V231, V232, V233, V234, V235, V236, V237, V238, V239, V240, V241, V242, V243, V244, V245, V246, V247, V248, V249, V250, V251, V252, V253, V254, V255, V256, V257, V258, V259, V260, V261, V262, V263, V264, V265, V266, V267, V268, V269, V270, V271, V272, V273, V274, V275, V276, V277, V278, V279, V280, V281, V282, V283, V284, V285, V286, V287, V288, V289, V290, V291, V292, V293, V294, V295, V296, V297, V298, V299, V300		3/4"	10
V219	BY HW GEN HFR	2"	1
V211, V212, V214, V215	SUPPLIED BY CONTRACTOR	1/2"	4
V127, V133, V134, V135, V136, V137, V138, V139, V140, V141, V142, V143, V144, V145, V146, V147, V148, V149, V150, V151, V152, V153, V154, V155, V156, V157, V158, V159, V160, V161, V162, V163, V164, V165, V166, V167, V168, V169, V170, V171, V172, V173, V174, V175, V176, V177, V178, V179, V180, V181, V182, V183, V184, V185, V186, V187, V188, V189, V190, V191, V192, V193, V194, V195, V196, V197, V198, V199, V200	NOTE 17	1-1/2"	30
V94, V119, V121, V124, V125, V126, V131, V132, V139, V146, V151, V166, V186, V187, V204		2"	15
V217, V218	BY HW GEN HFR	3/4"	2
V216	SUPPLIED BY CONTRACTOR	1-1/2"	11
V142, V145, V182, V185, V188, V193, V194, V168, V174, V189		2"	4
V213, V418	NOTE 17	1/2"	2
V135, V136, V147, V150, V135, V137, V148, V149		2"	4
V143, V144, V183, V184, V111, V112, V117, V161, V152		1-1/2"	9
V188, V191, V95, V190, V204, V207, V210		3/4"	7
V189, V190, V196, V197, V205, V206, V209		3/4"	7
V378	SUPPLIED BY CONTRACTOR	3/4"	1
V382, V383, V384, V385, V391, V402, V403	BY VENDOR	1 1/4"	7
V386, V387, V388, V397, V398, V404	BY VENDOR	3/4"	6
V392, V395, V396, V397	BY VENDOR	1"	4
V390	BY VENDOR	3/8"	1
V399, V400, V401	BY VENDOR	2"	3
V300, V300	VGM20-C-4	3/4"	2
V446, V447, V448	BY VENDOR	3/4"	3



- NOTES:
- ALL INSTRUMENT & EQUIPMENT NUMBERS TO BE PREFIXED WITH "DWS" EXCEPT WHERE A DIFFERENT PREFIX IS SHOWN.
 - ALL PRESSURE, VENT AND DRAIN CONNECTIONS ARE 3/4" UNLESS SHOWN OTHERWISE.
 - GRAY CAST IRON FLANGED PIPE, CLASS 125 LB., ANSI STD. A21.4, THICKNESS CLASS 22, FLANGES 125 LB., CAST IRON, SCREENED, ANSI STD. 816.1.
 - ALL CONNECTIONS TO PLUMBING FIXTURES (INDICATED BY LIGHTWEIGHT LINES) ARE CLASS 21P. FOR FITTINGS & VALVES SEE SPEC P411A.
 - PURCHASE CONTRACTS:
PC NO P381C - YARD WATER AND SEWER LINES - STG II
PC NO P402F - YARD WATER LINES - STG I
PC NO P411A - PLUMBING SYSTEM
 - WATER SUPPLY INLET WITHIN THE TANK SHALL TERMINATE AT AN ELEVATION ABOVE THE OVERFLOW PIPE NOT LESS THAN 6". THE OVERFLOW PIPE SIZE SHALL BE AT LEAST ONE PIPE SIZE LARGER THAN TANK FILL PIPES.
 - ALL MAIN SUPPLY LINES PROVIDED WITH LINE & VALVE DESIGNATION. ALL OTHER SUPPLEMENTARY LINES & VALVES NOT DESIGNATED.
 - ALL SSH IN THIS PID ARE SAFETY SHOWERS & EYE WASHES.
 - FROST PROOF SAFETY SHOWER & EYE WASH ONLY. SAFETY SHOWER HEAT TRACING BY VENDOR-118V, 60 CYCLE POWER SUPPLY BY SSM.
 - PIPING IN CONTROL BUILDING SHALL BE SEISMICALLY SUPPORTED AS DETERMINED BY SPEC EN GROUP.
 - ZONHP24 IS ASME III CLASS 3, NOT CODE STAMPED, USE IN A GA CAT III NON-SAFETY RELATED SEISMIC CAT II APPLICATION.
 - EMERGENCY DRAINING WATER STORAGE TANK DWS-TS-10, LINE 2-DWS-150-154-4 AND VALVE V97 INDICATED WITHIN DASHED LINES TO BE SEISMICALLY SUPPORTED.
 - LOCATE VALVE V97 OVER FLOOR HOP SINK.
 - INSULATING FLANGE ASSEMBLY IS USED AT ALL PRESSURE MAINTENANCE TANKS, BUFFER COMPRESSORS, AND SAFETY SHOWER, EYE WASHES FOR CL 21P, CL 153 INTERFACE.
 - NO FLAG SHOWN ON CORRESPONDING DOCUMENT.
 - 2-DWS-V399 REQUIRES A NON STANDARD WRENCH E.G. 3/4" X 1" SLOTTED.
 - DRAIN, HIGH POINT VENT AND HOSE CONNECTION VALVES SHALL BE 3/4" IN. GLOBE OR GATE VALVES.
 - SUPPLY FOR MAKEUP TO ADM SYSTEM COOLING TOWERS IS TAKEN FROM PLANT DWS PIPING DOWNSTREAM OF 2-DWS-V13. REFER TO PID-115A FOR DETAIL CONFIGURATION.
- NOTE: THOSE AREAS INDICATED WITHIN THE [Symbol] ARE TO BE SEISMICALLY SUPPORTED UNLESS INDICATED OTHERWISE.

SAFETY RELATED
QUALITY RELATED
NON-SAFETY RELATED
(REF. FIG. 9.2-8a)

Constellation Energy Group
NINE MILE POINT NUCLEAR STATION
UNIT 2 - SCRIBA, N.Y.
PIPING & INSTRUMENTATION DIAGRAM
DOMESTIC WATER

SCALE NONE DRAWING NO LR-50A-0

180