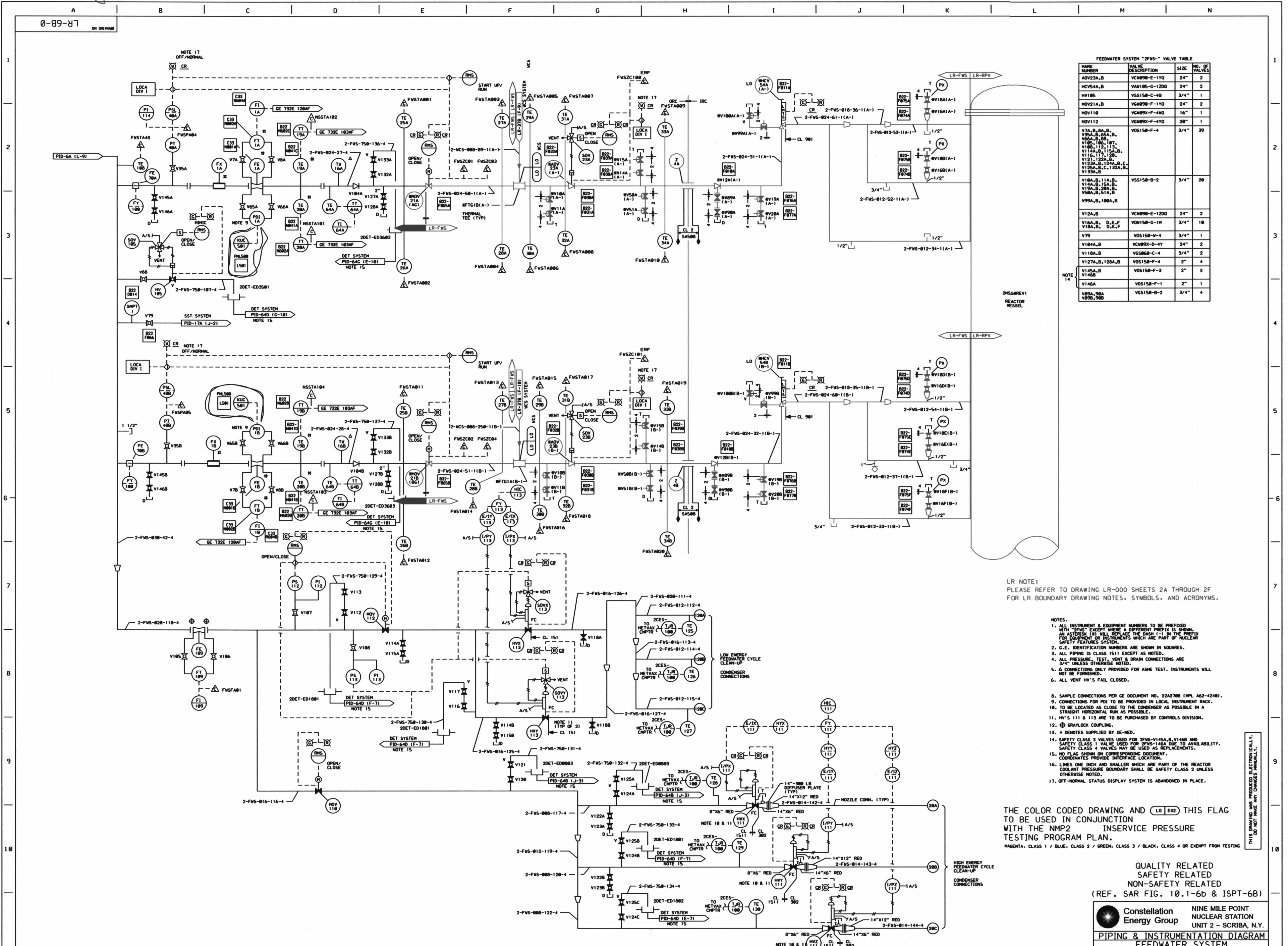


0-89-87 ON DRAWING



FEEDWATER SYSTEM "2FWS" VALVE TABLE

NAME	VALVE DESCRIPTION	SIZE	NO. OF VALVES
ADV23A,B	VCW99E-E-1YQ	24"	2
HCV54A,B	VAV105-G-1ZDQ	24"	2
HV185	V55158-C-4D	3/4"	1
HV21A,B	VCW99F-F-1YQ	24"	2
HV118	VCW99F-F-4MQ	16"	1
HV112	VCW99F-F-4YQ	28"	1
V7A,B,8A,B,9A,B,10A,B,11A,B,12A,B,13A,B,14A,B,15A,B,16A,B,17A,B,18A,B,19A,B,20A,B,21A,B,22A,B,23A,B,24A,B,25A,B,26A,B,27A,B,28A,B,29A,B,30A,B,31A,B,32A,B,33A,B,34A,B,35A,B,36A,B,37A,B,38A,B,39A,B,40A,B,41A,B,42A,B,43A,B,44A,B,45A,B,46A,B,47A,B,48A,B,49A,B,50A,B,51A,B,52A,B,53A,B,54A,B,55A,B,56A,B,57A,B,58A,B,59A,B,60A,B,61A,B,62A,B,63A,B,64A,B,65A,B,66A,B,67A,B,68A,B,69A,B,70A,B,71A,B,72A,B,73A,B,74A,B,75A,B,76A,B,77A,B,78A,B,79A,B,80A,B,81A,B,82A,B,83A,B,84A,B,85A,B,86A,B,87A,B,88A,B,89A,B,90A,B,91A,B,92A,B,93A,B,94A,B,95A,B,96A,B,97A,B,98A,B,99A,B,100A,B	V05158-F-4	3/4"	39
V18A,B,11A,B,14A,B,16A,B,18A,B,20A,B,22A,B,24A,B,26A,B,28A,B,30A,B,32A,B,34A,B,36A,B,38A,B,40A,B,42A,B,44A,B,46A,B,48A,B,50A,B,52A,B,54A,B,56A,B,58A,B,60A,B,62A,B,64A,B,66A,B,68A,B,70A,B,72A,B,74A,B,76A,B,78A,B,80A,B,82A,B,84A,B,86A,B,88A,B,90A,B,92A,B,94A,B,96A,B,98A,B,100A,B	V55158-B-2	3/4"	28
V12A,B	VCW99E-E-1ZDQ	24"	2
V16A,B, D,E,F, V18A,B, D,E,F	V0V158-G-1M	3/4"	18
V79	V05158-W-4	3/4"	1
V184A,B	VCW99R-D-4Y	24"	2
V118A,B	VCW99E-C-4	3/4"	2
V127A,B,128A,B	V05158-F-4	2"	4
V145A,B, V146B	V05158-F-3	2"	3
V146A	V05158-F-1	2"	1
V99A,98A, V99B,98B	V05158-B-2	3/4"	4

LR NOTE:  
PLEASE REFER TO DRAWING LR-000 SHEETS 2A THROUGH 2F FOR LR BOUNDARY DRAWING NOTES, SYMBOLS, AND ACRONYMS.

- NOTES:
- ALL INSTRUMENT AND EQUIPMENT NUMBERS TO BE PREFIXED WITH "2FWS" EXCEPT WHERE A DIFFERENT PREFIX IS SHOWN. AN ASTERISK (\*) WILL REPLACE THE DASH (-) IN THE PREFIX FOR EQUIPMENT OR INSTRUMENTS WHICH ARE PART OF NUCLEAR SAFETY FEATURES SYSTEM.
  - G.E. IDENTIFICATION NUMBERS ARE SHOWN IN SQUARES.
  - ALL PIPING IS CLASS 1511 EXCEPT AS NOTED.
  - ALL PRESSURE, TEST, VENT AND DRAIN CONNECTIONS ARE 3/4" UNLESS OTHERWISE NOTED.
  - CONNECTIONS ONLY PROVIDED FOR ASME TEST. INSTRUMENTS WILL NOT BE FURNISHED.
  - ALL VENT HV'S FAIL CLOSED.
  - SAMPLE CONNECTIONS PER GE DOCUMENT NO. 22A2786 (MPL 662-424B).
  - CONNECTIONS FOR POI TO BE PROVIDED IN LOCAL INSTRUMENT RACK.
  - TO BE LOCATED AS CLOSE TO THE CONDENSER AS POSSIBLE IN A STRAIGHT HORIZONTAL RUN AS POSSIBLE.
  - HV'S 111 & 113 ARE TO BE PURCHASED BY CONTROLS DIVISION.
  - GRAPHIC SYMBOLS.
  - Denotes supplied by GE-RED.
  - SAFETY CLASS 3 VALVES USED FOR 2FWS-V145A,B,V146B AND SAFETY CLASS 1 VALVE USED FOR 2FWS-V146A DUE TO AVAILABILITY. SAFETY CLASS 4 VALVES MAY BE USED AS REPLACEMENTS.
  - NO FLAG SHOWN ON CORRESPONDING DOCUMENT. COORDINATES PROVIDE INTERFACE LOCATION.
  - LINE ONE INCH AND SMALLER WHICH ARE PART OF THE REACTOR COOLANT PRESSURE BOUNDARY SHALL BE SAFETY CLASS 2 UNLESS OTHERWISE NOTED.
  - OFF-NORMAL STATUS DISPLAY SYSTEM IS ABANDONED IN PLACE.

THE COLOR CODED DRAWING AND (L) (E) THIS FLAG TO BE USED IN CONJUNCTION WITH THE NMP2 INSERVICE PRESSURE TESTING PROGRAM PLAN.  
MAGENTA, CLASS 1 / BLUE, CLASS 2 / GREEN, CLASS 3 / BLACK, CLASS 4 OR ESDPT FROM TESTING

QUALITY RELATED SAFETY RELATED NON-SAFETY RELATED (REF. SAR FIG. 10.1-6b & ISPT-6B)

Constellation Energy Group  
NINE MILE POINT NUCLEAR STATION UNIT 2 - SCRIBA, N.Y.  
PIPING & INSTRUMENTATION DIAGRAM  
FEEDWATER SYSTEM

PRESSURE TESTING DIAGRAM  
SCALE: NONE DRAWING NO: LR-6B-0

REV	DATE	DESCRIPTION OF REVISION	M.O.	DFT	DES	CHKD	ENG	EPROG	ELEC	MECH	STR	MF	REV	DATE	DESCRIPTION OF REVISION	M.O.	DFT	DES	CHKD	ENG	EPROG	ELEC	MECH	STR