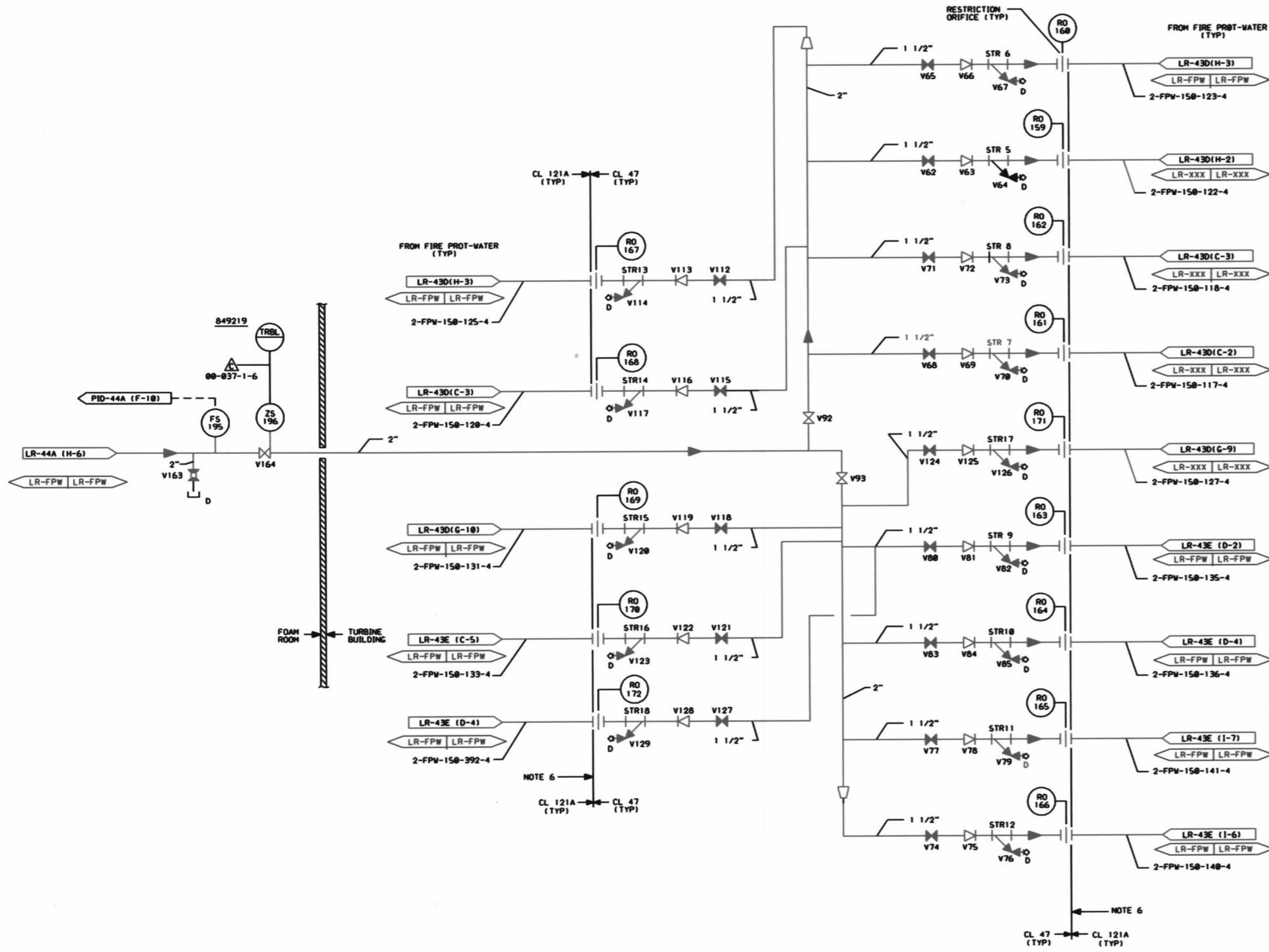


LR-44B-0

MARK NUMBER	VALVE DESCRIPTION	SIZE	NO. OF VALVES
V65, 63, 64, 65, 66, 67, 68, 69, 70, 71, 72, 73, 74, 75, 76, 77, 78, 79, 80, 81, 82, 83, 84, 85, 92, 93, 112, 113, 114, 115, 116, 117, 118, 119, 120, 121, 122, 123, 124, 125, 126, 127, 128, 129, 130, 131, 132	PROVIDED BY CONTRACTOR SPEC P482G		46



- NOTES:
1. ALL INSTRUMENT & EQUIPMENT NUMBERS TO BE PREFIXED WITH "2FPW" EXCEPT WHERE A DIFFERENT PREFIX IS SHOWN.
 2. ALL PIPING CL 47 UNLESS OTHERWISE NOTED.
 3. LOCAL VENT AND DRAIN CONNECTIONS ARE (T) UNLESS OTHERWISE NOTED.
 4. ALL VALVES AND EQUIPMENT SHALL BE UNDERWRITERS LABORATORIES, INC. LISTED.
 5. ALL EQUIPMENT, INSTRUMENTS, PIPING AND VALVES SUPPLIED BY THE CONTRACTOR FOR SPEC P482G, UNLESS OTHERWISE NOTED.
 6. CONNECTION AT WATER-FOAM FIRE HOSE REELS. (FHR) ARE SHOWN ON PID 43D, E1.

LR NOTE:
PLEASE REFER TO DRAWING LR-000 SHEETS 2A THROUGH 2F FOR LR BOUNDARY DRAWING NOTES, SYMBOLS, AND ACRONYMS.

THIS DRAWING WAS PRODUCED ELECTRONICALLY, DO NOT MAKE ANY CHANGES MANUALLY.

QA CAT III

	Constellation Energy Group NINE MILE POINT NUCLEAR STATION UNIT 2 - SCRIBA, N.Y.
	PIPING & INSTRUMENTATION DIAGRAM FIRE PROTECTION FOAM

SCALE: NONE DRAWING NO: LR-44B-0

175